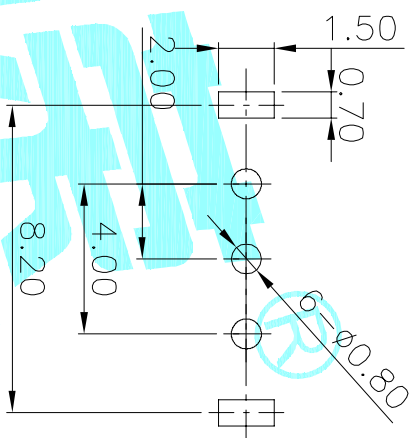
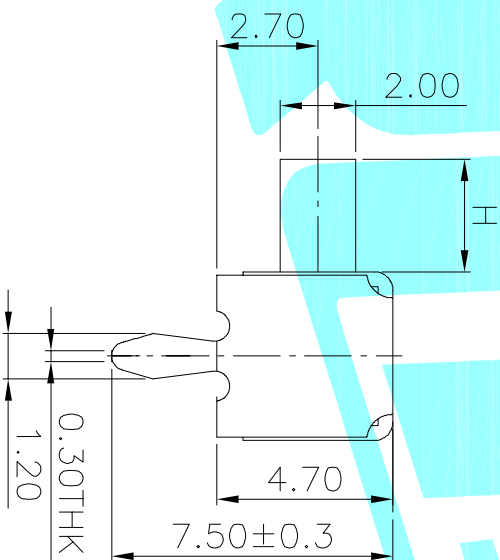
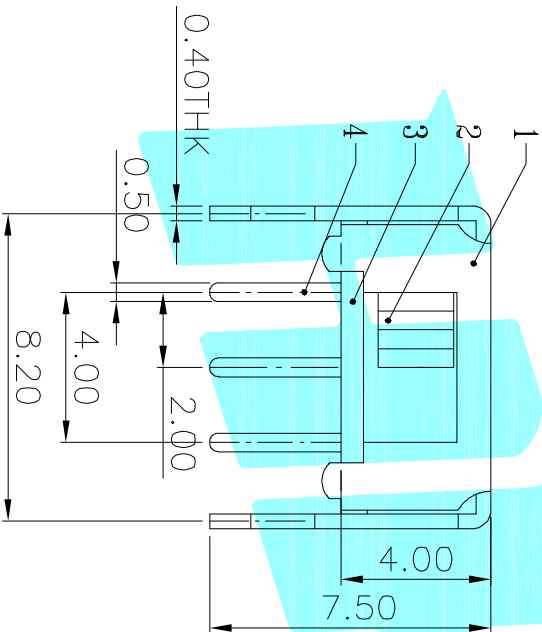
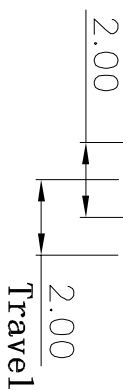


Schematic(Shorting)



P.C.B LAYOUT
BOTTOM VIEW

PART NO.	H
SK-12D02-VG2	2
SK-12D02-VG3	3
SK-12D02-VG4	4
SK-12D02-VG5	5
SK-12D02-VG6	6
SK-12D02-VG7	7

ITEM	PART NAME	TER'NO.	QTY.	MATERIAL	FINISHING	REMARK
⑥	Spring Plate	—	1	PBS Strip	Natural	—
⑤	Contact Clip	—	1	PBS Strip	Ag Clad	—
④	Terminal	—	3	Brass Strip	Ag Plated	—
③	Base	—	1	Phenolic Resin	Natural	—
②	Knob	—	1	POM	Black	—
①	Frame	—	1	Steel Strip	Ni Plated	—

APPROVALS		DATE	TITLE:
DRAWN	QIFENG XU	2013/6/13	Toggle Switch

ECN NO.	REV.	DATE.	DESCRIPTION.	CHANGE.	CHECK.	APPRO.
	A		NEW			

CHECKED	APPROVALS	TOLERANCES ARE	ANGLE	UNIT:	SCALE:	PROJ.	SHEET
		30~15H ±0.30 10~30 ±0.20 5~10 ±0.15 ~5 ±0.10	±2°	mm	1:1	PROJ.	1 OF 1

HAPO
ELECTRONICS CO.,LTD