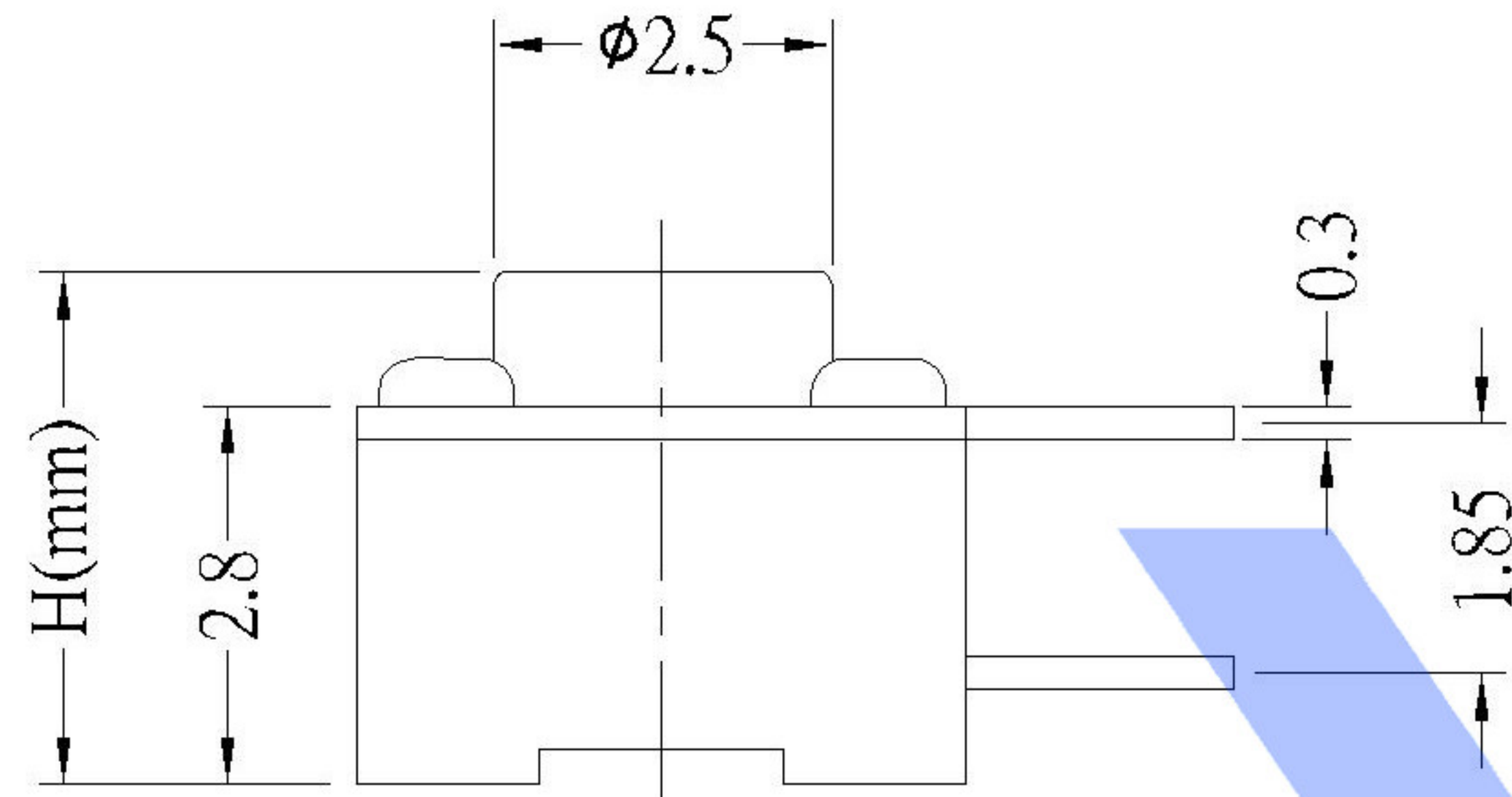
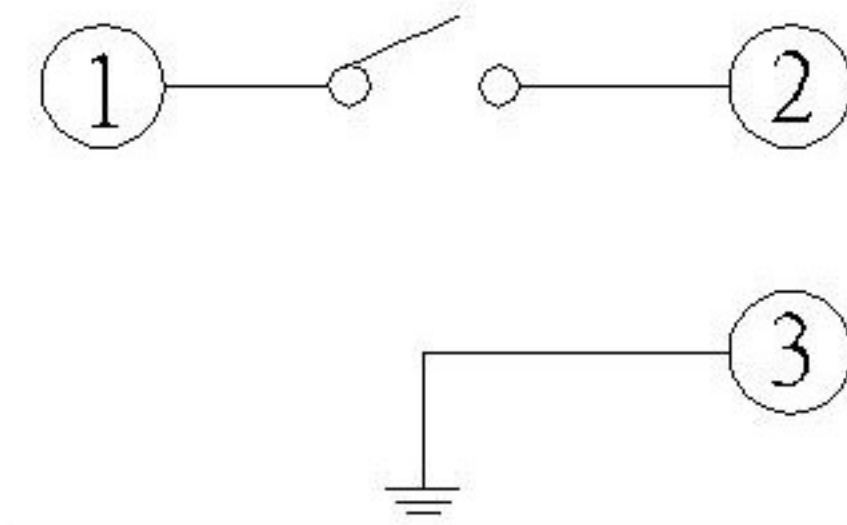


Code-X	H
A	3.8
B	4.3
C	4.5
D	5.0
E	5.5
F	6.0
G	6.5
H	7.0
I	7.5
J	8.0
K	8.5
L	9.0

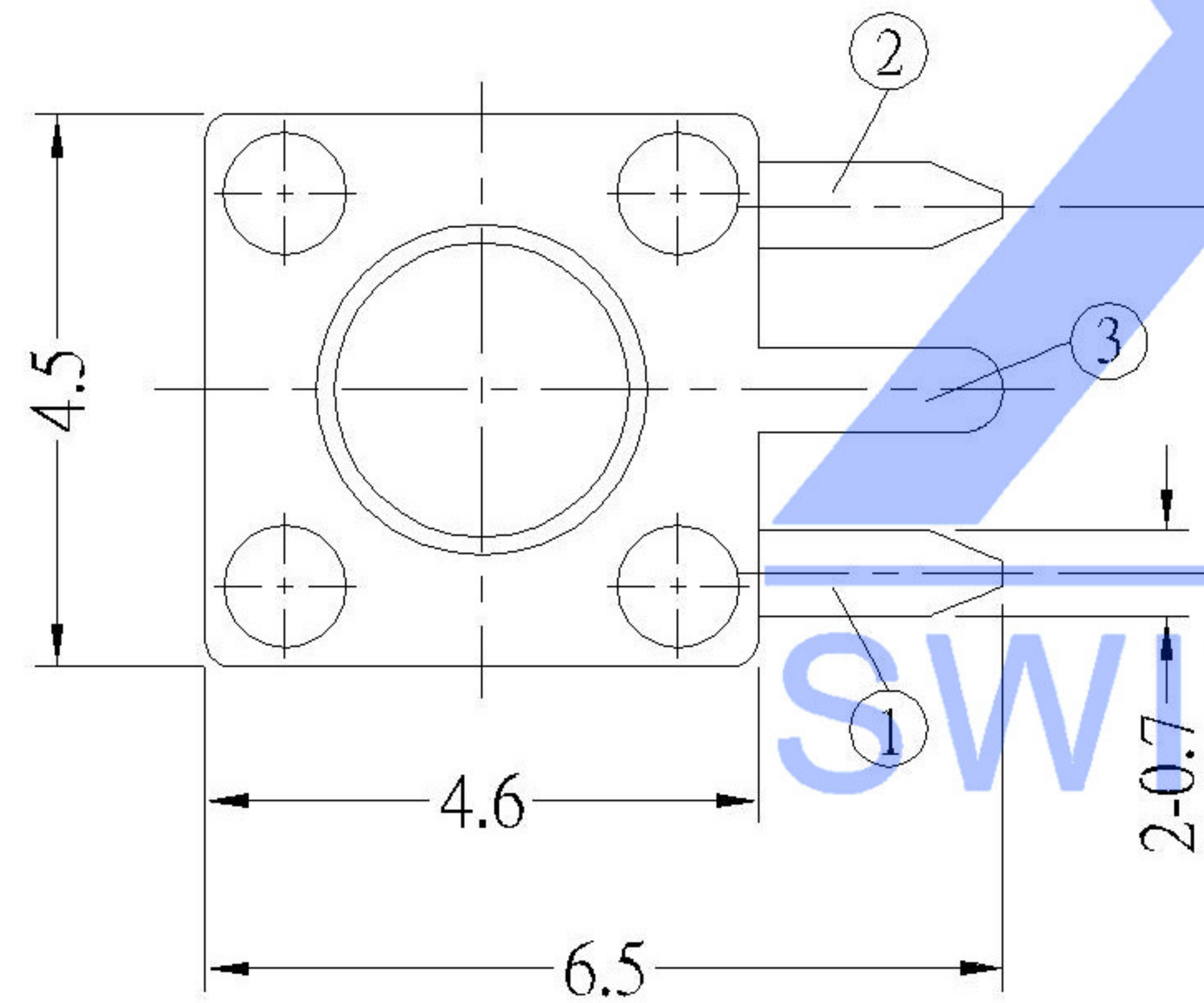
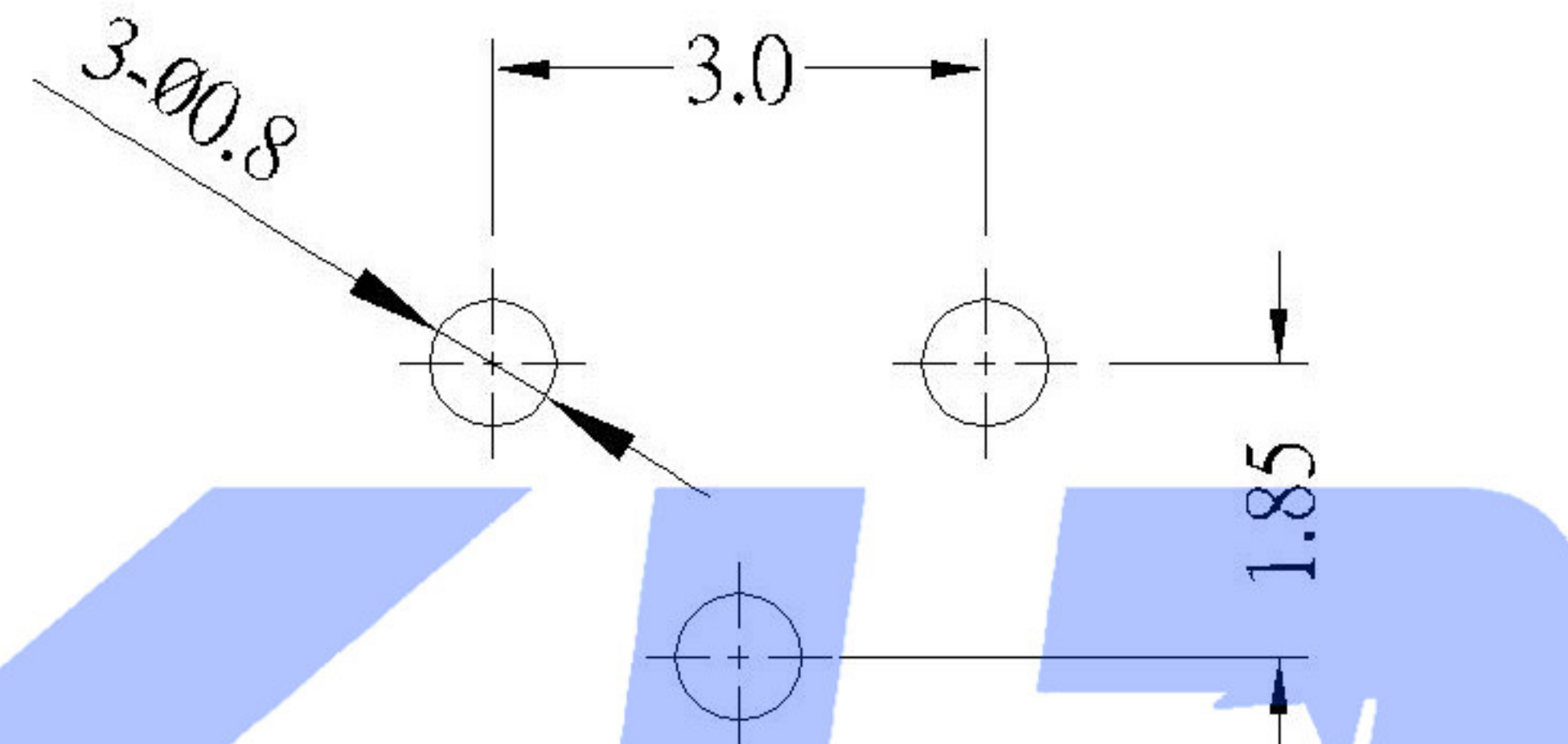
**DIMENSIONS**



**CIRCUIT DIAGRAM**



**P.C.B LAYOUT MOUNTING PATTERN**



XKB

SWITCH CONNECTOR

<b>PAPT NO</b>	TC-1109DE-X-X
<b>Operating Force</b>	A:100gf B:160gf C:260gf
<b>Height</b>	Code-X

MARK	DESCRIPTION	DATE	REVISED	APPROVED	UNSPECIFIED TOLERANCES	DSND	DATE	SCALE: N/A	MODEL TYPE:
Δx					ANGLAR ±5°	DWN	DATE	VIEW:	TACT SWITCH
Δx					L ≤ 4 ±0.2	CHKD	DATE	UNIT: mm	PART NO.: TC-1109DE
Δx					4 < L ≤ 16 ±0.3	APPD	DATE	SIZE: A4	DWG NO.: TC-1109DE-X-X
					16 < L ≤ 63 ±0.4				WEIGHT 1.0g
					L > 63 ±0.5				SHEET 1/1
									REVISION A0