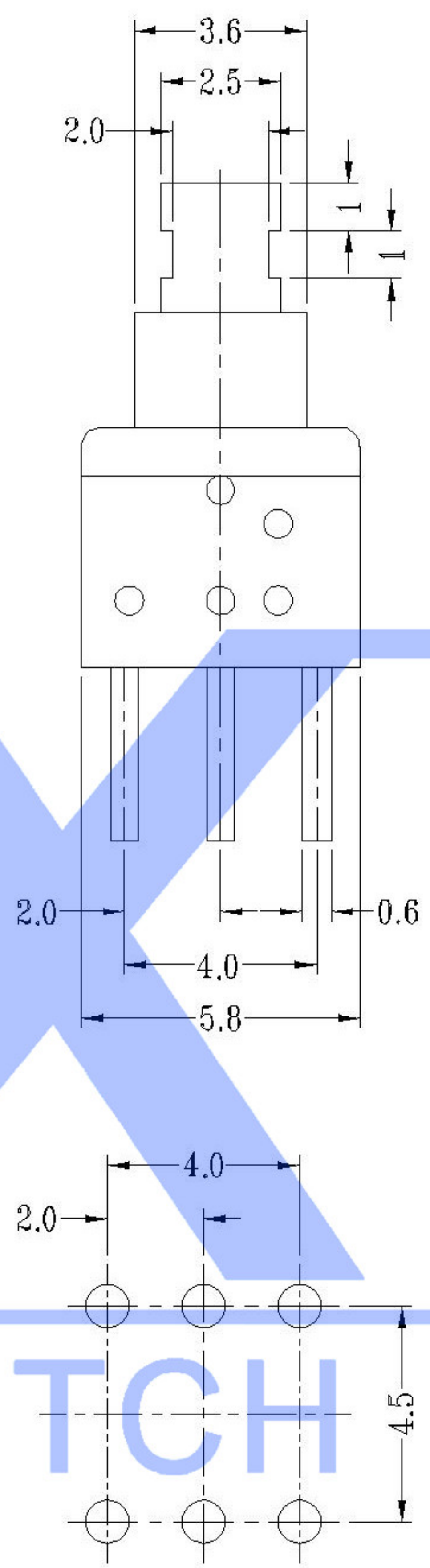
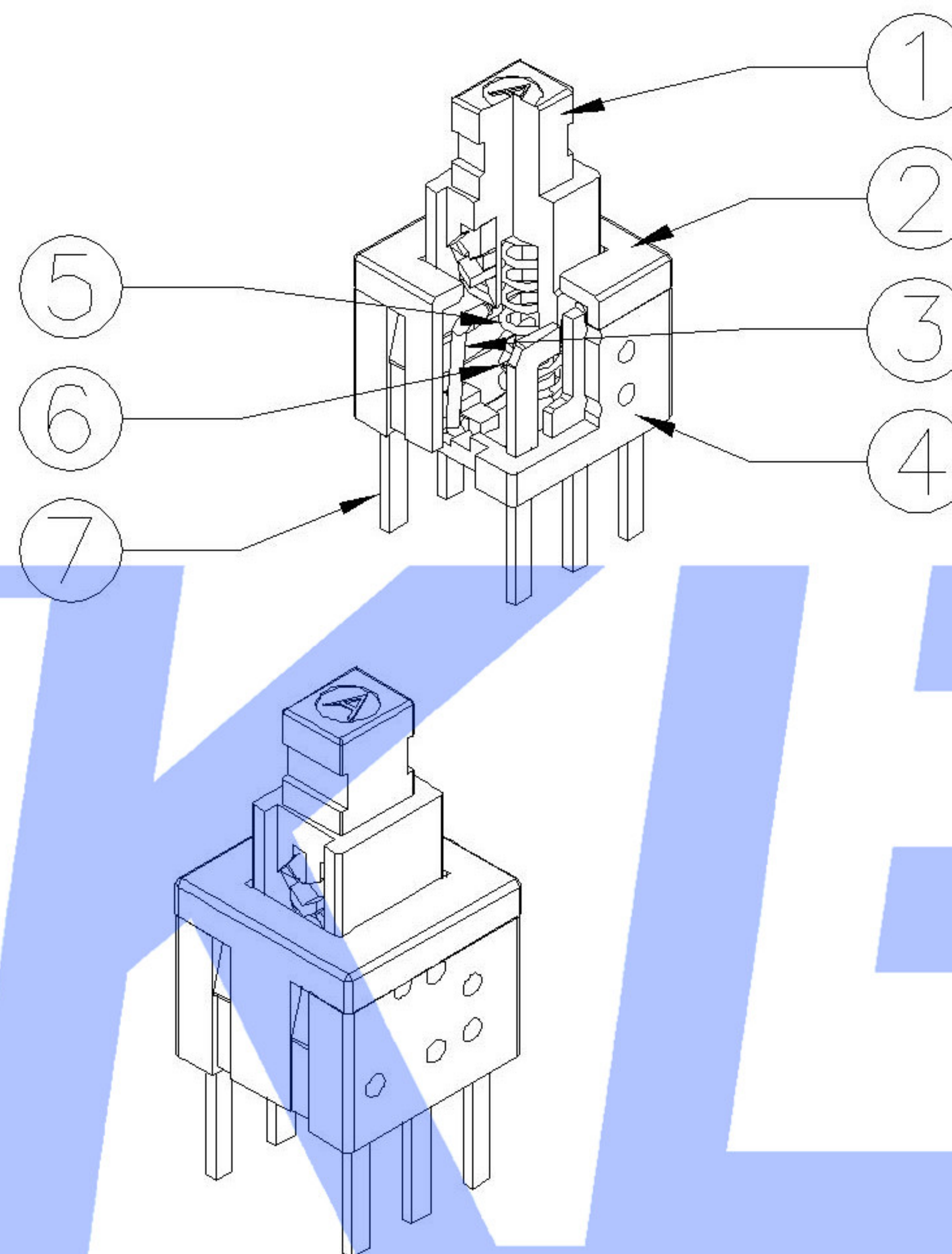


CIRCUIT DIAGRAM



P.C.B LAYOUT
BOTTOM VIEW



FEATURES

- Light operating force.
- Long term low contact resistance.
- Momentary or latching operation.
- Short stroke 1.5mm to latch.
- Compact spacing on PCB of 5.8mm.

SPECIFICATIONS

1.ELECTRICAL

● Contact rating	0.1A, 30VDC
● Contact resistance	50mWMax.
● Insulation resistance	100MWMin. at 250VDC
● Dielectric strength	250VAC Min. for 60 sec.

2.MECHANICAL AND ENVIRONMENTAL

● Temperature rating	Operating: -15°C to +55°C Storage: -25°C to +65°C
● Operation force	160±80gf
● Stroke	Lock Stroke: 1.1±0.2mm Full Stroke: 1.9±0.2mm
● Operating life	full load: 1x10 ⁴ cycles no load: 1x10 ⁵ cycles
● Contact form	DPDT

ITEM	PAPT	NAMF	TER.NO	QTY	MATERIAL	FINISHING	REMARK
⑦		Contact		2	Phosphor bronze	ag Plated	
⑥		Terminal		6	Brass	ag Plated	
⑤		spring		1	SUS	Natural	
④		Base		1	Nylon		
③		Crochet Needle		1	SUS	Natural	
②		Cover		1	Nylon		
①		Keystake		1	Nylon		

PAPT NO	XKB5858-X
OPERATION	W:NO LOCK Z:LOCK

MARK	DESCRIPTION	DATE	REVISED	APPROVED	UNSPECIFIED TOLERANCES	DSND	DATE	SCALE: N/A	MODEL TYPE: PUSH SWITCH		
ΔX					ANGULAR ±5°	DWN	DATE	VIEW:	PART NO.: XKB5858		
ΔX					L ≤ 4 ±0.2	CHKD	DATE	UNIT: mm	DWG NO.: XKB5858-X		
ΔX					4 < L ≤ 16 ±0.3	APPD	DATE	SIZE: A4			
					16 < L ≤ 63 ±0.4	KXB INDUSTRIAL PRECISION CO.,LIMITED			WEIGHT	SHEET	REVISION
					L > 63 ±0.5				1.0g	1/1	A0