

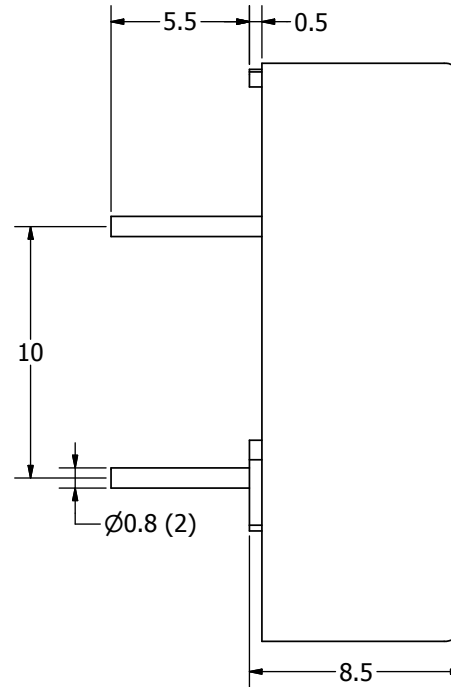
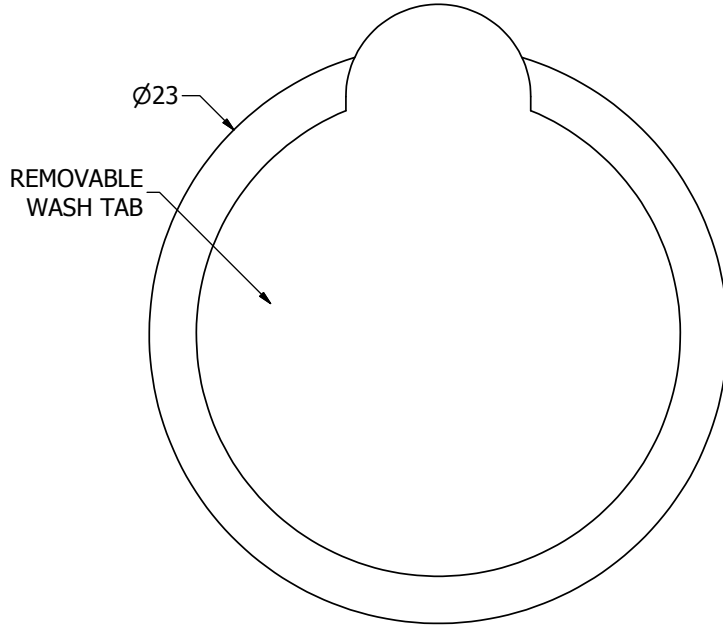
SPECIFICATIONS

PARAMETERS	VALUES	UNITS
RATED INPUT POWER	0.1	W
MAX INPUT POWER	0.2	W
IMPEDANCE	8 ± 20%	OHM
OUTPUT SPL @ 0.1W/0.5M (AT 1.2, 1.5, 1.6, 1.8 kHz)	75 ± 3	dBA
DISTORTION (MAX.)	5%	-
RESONANT FREQUENCY	1,500 ± 20%	Hz
FREQUENCY RANGE	600 ~ 20,000	Hz
HOUSING MATERIAL	ABS	-
CONE MATERIAL	MYLAR	-
MAGNET MATERIAL	NdFeB	-
OPERATING TEMPERATURE	-20 ~ +60	°C
WEIGHT	3.2	grams

THIS DOCUMENT CONTAINS DATA PROPRIETARY TO PROJECTS UNLIMITED, INC. ANY USE OR REPRODUCTION, IN ANY FORM, WITHOUT PRIOR WRITTEN PERMISSION OF PROJECTS UNLIMITED, INC. IS PROHIBITED.
©2003, Projects Unlimited Inc.

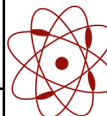
REVISION HISTORY

LTR	DESCRIPTION	DATE	APPROVED
-	RELEASED FROM ENGINEERING	4/19/2006	
A	REVISED POWER RATINGS	11/19/2007	B.R.
B	REVISED TO INVENTOR 3-D DRAWING TEMPLATE	2/25/2009	B.R.
C	ADDED NOTE 4	1/5/2011	B.R.
D	REVISED MAGNET MATERIAL	6/28/2011	C.W.
E	REVISED HOUSING MATERIAL	12/23/2011	M.L.



NOTES:

1. ALL DIMENSIONS ARE IN MILLIMETERS.
2. SPECIFICATIONS SUBJECT TO CHANGE OR WITHDRAWAL WITHOUT NOTICE.
3. THIS PART IS RoHS 2002/95/EC COMPLIANT.
4. HAND SOLDER ONLY.

UNLESS OTHERWISE SPECIFIED: DIMENSIONS ARE IN MILLIMETERS, TOLERANCES ARE ±0.5 AND ANGLES ARE ±3°.	SIZE	Designed by	Date	Checked by	Date	Approved by	Date	Drawn Date	
	A3	B.R.	4/19/2006	B.R.	4/19/2006	E.P.	4/19/2006	2/25/2009	
AST-02308MR-R.idw	 pui audio <small>INC</small> <small>a projects unlimited company</small>		AST-02308MR-R			Speaker		Edition -	Sheet 1 / 1

Mouser Electronics

Authorized Distributor

Click to View Pricing, Inventory, Delivery & Lifecycle Information:

[PUI Audio:](#)

[AST-02308MR-R](#)