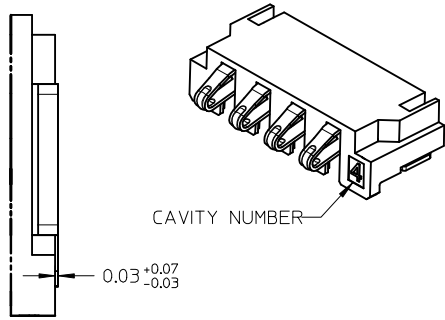
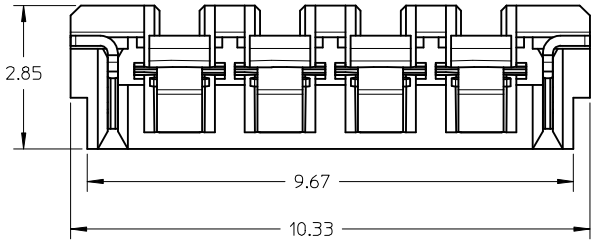
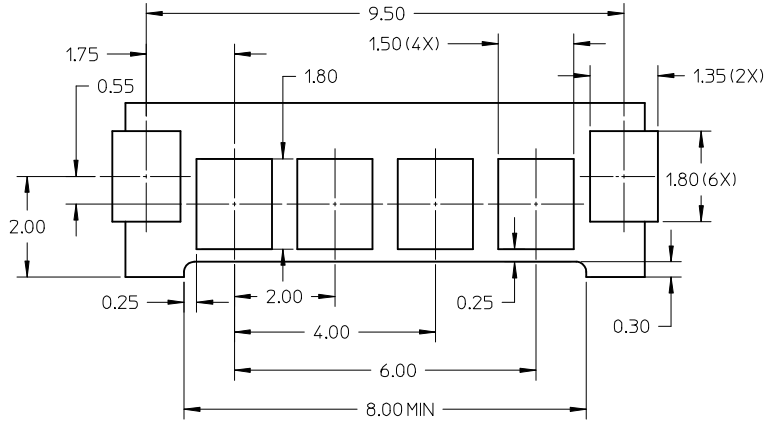


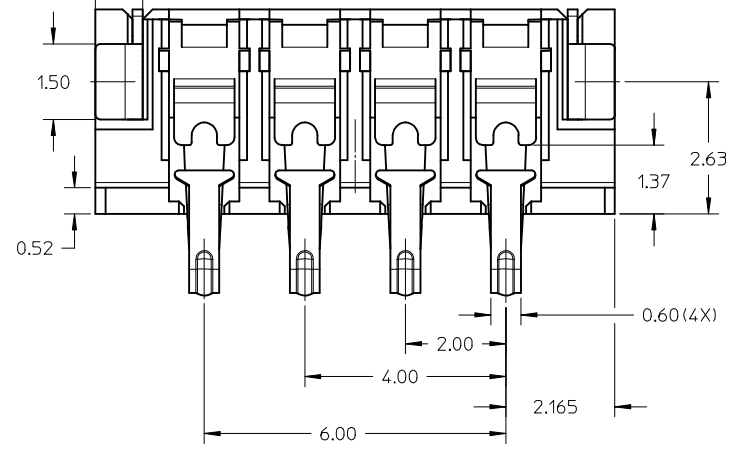
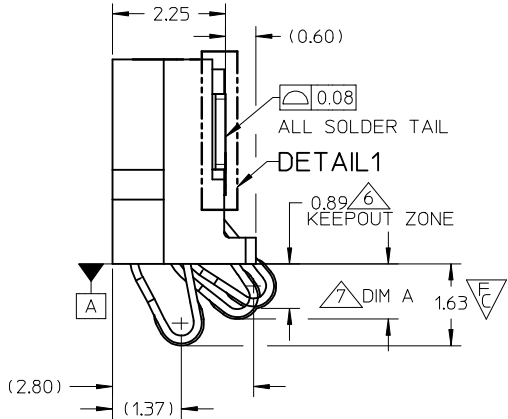
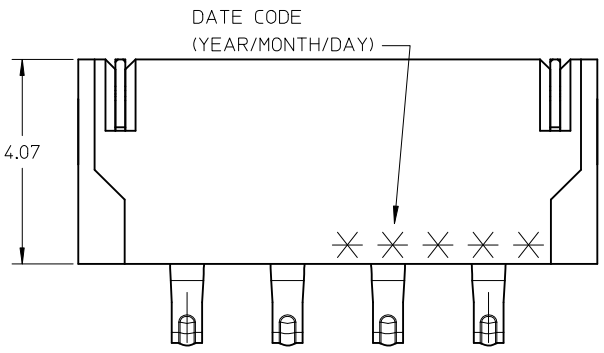
10 9 8 7 6 5 4 3 2 1



DETAIL1



RECOMMENDED PCB LAYOUT  
TOLERANCE: +/-0.05MM



- NOTES:
- 1 MATERIAL:  
TERMINAL : COPPER ALLOY  
HOUSING : LCP, GLASS FILLED, UL94 V-0, COLOR: BLACK.  
FITTING NAIL: BRASS
  - 2 FINISH:  
TERMINAL: 50~150μm NICKEL UNDER PLATED  
30μm Min GOLD PLATING ON CONTACT AREA  
3μm Min GOLD FLASH ON SOLDERING AREA  
FITTING NAIL: 100μm Min TIN ALLOY OVER 50μm Min NICKEL OVERALL
  - 3 PRODUCT SPECIFICATION: PS-78791-001
  - 4 PACKAGING INFORMATION: PK-78791-001
  - 5 COMPLIANT TO RoHS DIRECTIVE 2011/65/EU  
AND ELV DIRECTIVE 2000/53/EC.
  - 6 KEEPOUT ZONE: 0.89MM FROM DATUM A.  
WORKING HEIGHT MUST NOT FALL INTO THE KEEPOUT ZONE.
  - 7 NORMAL FORCE:  
A. AT WORKING HEIGHT, 0.89MM (DIM A) = 100gf, MIN.  
B. AT WORKING HEIGHT, 1.10MM (DIM A) = 50gf, MIN.

|   |              |               |             |
|---|--------------|---------------|-------------|
| UPDATE NOTES<br>EC NO: S2014-0376<br>DRWN: JTAN02<br>CHK: CHKDEANG<br>APPR: KHLIM | 2013/10/24   | 2013/12/18    | 2013/12/20  |
|   | DRWN: JTAN02 | CHK: CHKDEANG | APPR: KHLIM |
|   | DESCRIPTION  | DESCRIPTION   | DESCRIPTION |
|   | REV          | REV           | REV         |

| QUALITY SYMBOLS | GENERAL TOLERANCES (UNLESS SPECIFIED)                |       |
|-----------------|--|-------|
|                 | mm   | INCH  |
| $F_A=0$         | 4 PLACES ± ---                                       | ± --- |
| $F_C=1$         | 3 PLACES ± ---                                       | ± --- |
| $F_P=0$         | 2 PLACES ± 0.15                                      | ± --- |
|                 | 1 PLACE ± 0.2  | ± --- |
|                 | ANGULAR ± 3°   |       |
|                 | DRAFT WHERE APPLICABLE MUST REMAIN WITHIN DIMENSIONS |       |

| DIMENSION STYLE |   | SCALE                    | DESIGN UNITS | THIRD ANGLE PROJECTION |
|-----------------|---|--------------------------|--------------|------------------------|
| MM ONLY         |   | NTS                      | METRIC       |                        |
| DRAWN BY        | DATE  | TITLE                    |              |                        |
| KJKOH           | 2012/10/03  | 4 CKTS BATTERY CONNECTOR |              |                        |
| CHECKED BY      | DATE  | 2.00MM PITCH             |              |                        |
| JESSIECHUA      | 2013/07/25  |                          |              |                        |
| APPROVED BY     | DATE  |                          |              |                        |
| SHONG           | 2013/07/25  |                          |              |                        |
| MATERIAL NO.    | DOCUMENT NO.  |                          |              |                        |
| 787910001       | SD-78791-001  |                          |              |                        |
| SIZE            | THIS DRAWING CONTAINS INFORMATION THAT IS PROPRIETARY TO MOLEX INCORPORATED AND SHOULD NOT BE USED WITHOUT WRITTEN PERMISSION |                          |              |                        |
| A3              |   |                          |              |                        |

|                    |  |           |
|--------------------|--|-----------|
| MOLEX INCORPORATED |  | SHEET NO. |
| 787910001          |  | 1 OF 1    |

9 8 7 6 5 4 3 2 1

# Mouser Electronics

Authorized Distributor

Click to View Pricing, Inventory, Delivery & Lifecycle Information:

[Molex:](#)

[78791-0001](#)