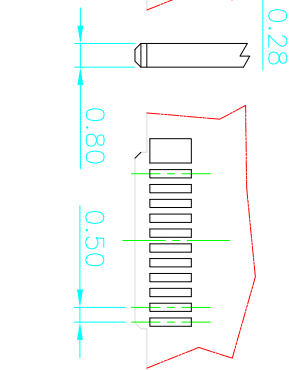
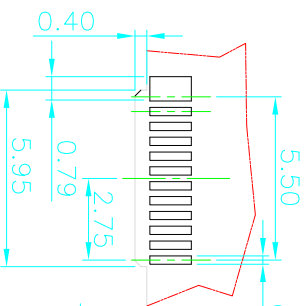
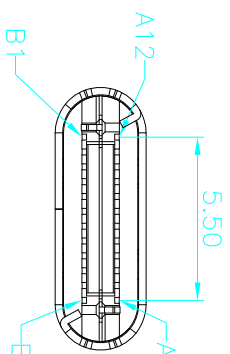
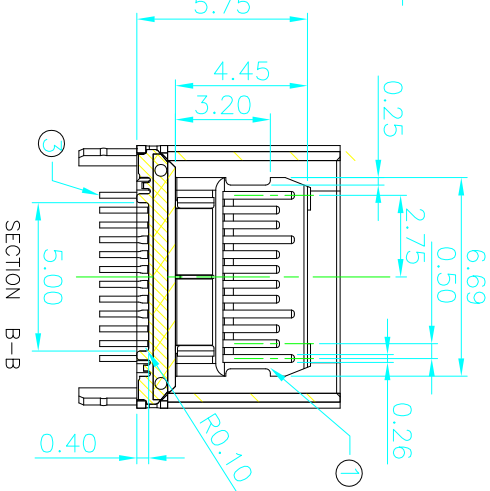
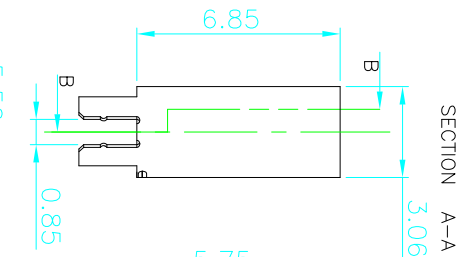
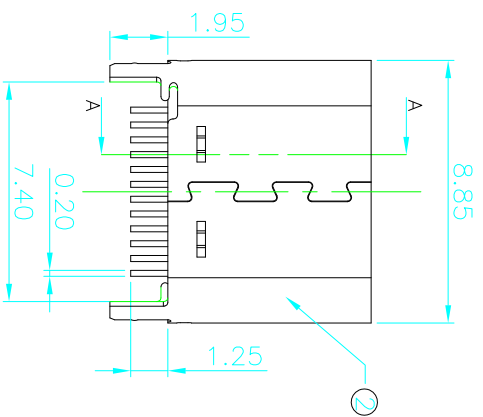
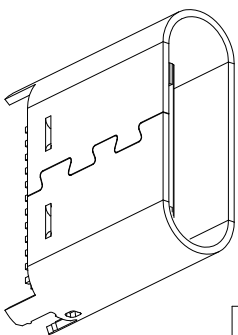
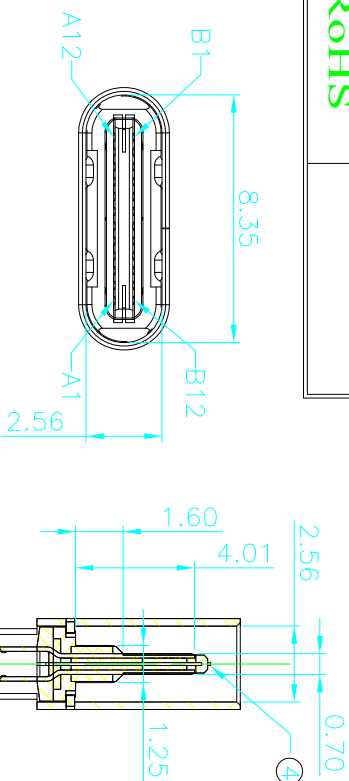


ROHS



PCB LAYOUT

MAPX	MODIFICATION	DRW	DATE

- NOTES:
- 1.ELECTRICAL CHARACTERISTICS:
 1-1>Contact current rating:
 5.0A for Vbus pin and its corresponding GND pin.
 0.25A min for all other contact.
 1-2>Contact resistance:
 50 Milliohms Max for Vbus and GND contact.
 50 Milliohms Max for all other contact.
 1-3:Dielectric withstanding voltage:100V AC Min.
 1-4:Insulation resistance:100 Megohms Min.
- 2.MECHANICAL CHARACTERISTICS:
 2-1:Connector insertion force:5~20N.
 At a maximum rate of 12.5mm per second.
 2-2:Connector extraction force:8~20N.
 At a maximum rate of 12.5mm per second.
 2-3:Durability:10000 cycles.
 2-4:Operating temperature:-55C~+85C.
- 3.DIMENSIONS ARE IN MILLIMETERS,BRACKETED DIMENSIONS ARE NICHES EQUIVALENTS.
- 4.THE CONNECTOR IS ROHS COMPLIANT AND HALOGEN FREE COMPLIANT.

NO.	DESCRIPTION	QTY.	MATERIAL	TREATMENT
④	EMI LATCH	1	STAINLESS STEEL	NICKEL PLATED OVERALL,TAB WITH LEAD FREE TIN ALLOY.
③	CONTACT	24	COPPER ALLOY	NICKEL UNDERPLATING OVER ALL.GOLD PLATING AT - CONTACT AREAL.EAD FREE TIN ALLOY AT TERMINATION.
②	SHELL	1	STAINLESS STEEL	CLEAN.
①	HOUSING	2	THERMOPLASTIC UL 94V-0	MOLDED COLOR:BLACK.

产品图

公差一览表
 TOLERANCE UNLESS OTHERWISE SPECIFIED

±0.25	X	±5°
±0.20	X	±2°
±0.15	XX	±1°
±0.10	XXX	±0.5°

深圳市精拓电子有限公司
 Shenzhen Jing Tuo Jin Electronics Co., Ltd.

A1	A2	A3	A4	A5	A6	A7	A8	A9	A10	A11	A12
GND	TX1+	TX1-	Vbus	CC1	D+	D-	SBU1	Vbus	RX2-	RX2+	GND
GND	RX1+	RX1-	Vbus	SBU2	D-	D+	CC2	Vbus	TX2-	TX2+	GND
B12	B11	B10	B9	B8	B7	B6	B5	B4	B3	B2	B1

单位	MM
比例	1:1
日期	2016-09-09

制图	许密强	制图料号	USB-C TYPE REC-CONN CUSTOMER DRAWING
审核	郭治富	产品名称	USB-C TYPE REC-CONN CUSTOMER DRAWING
核准	黄国荣	角法	角法

DATE	2016-09-09	APPD	黄国荣	版本	A0
------	------------	------	-----	----	----