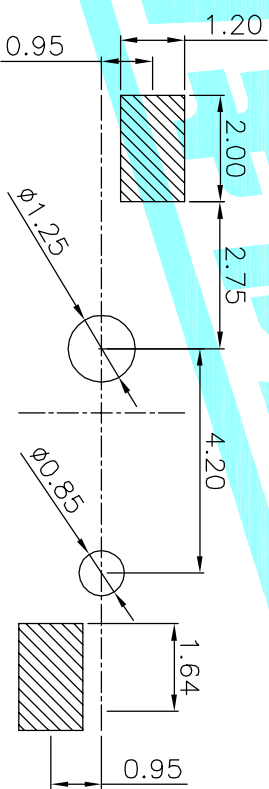
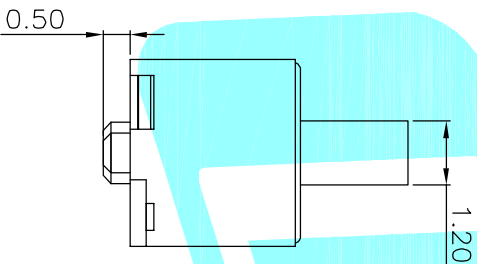
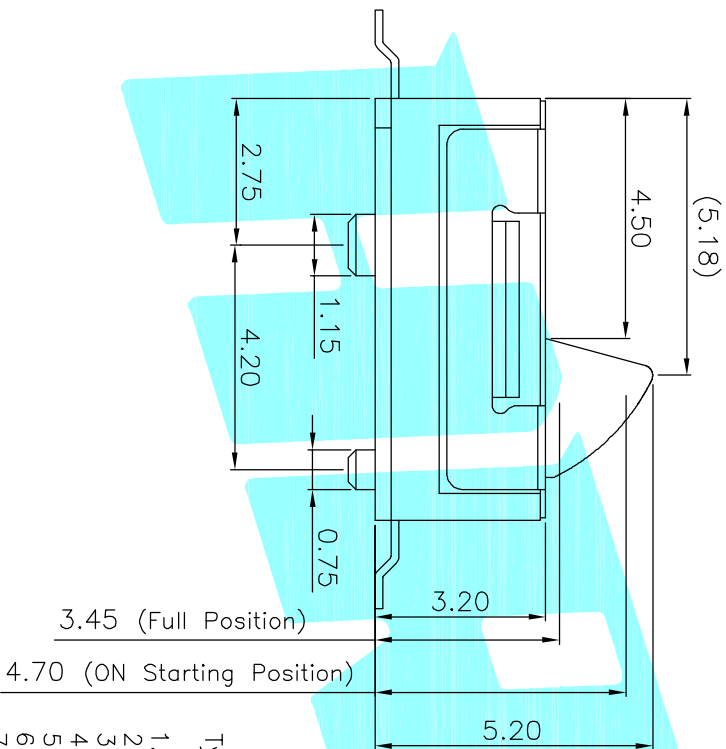
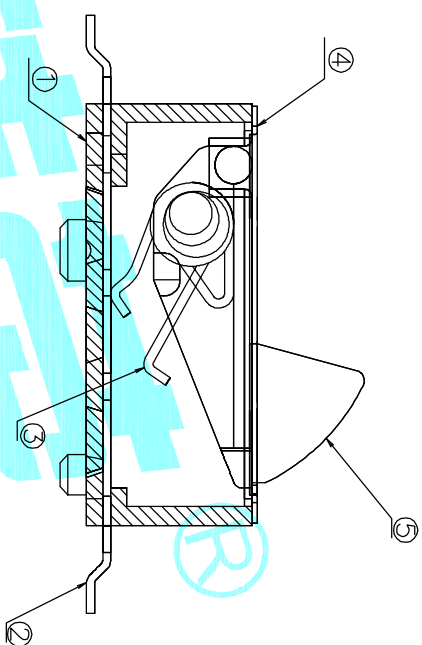


Circuit Diagram



PCB Layout(Pattern side)

Typical Specifications

1. Rating : DC 12V 50mA
2. Contact Resistance: $\leq 100m\Omega$
3. Insulation Resistance: $\geq 100m\Omega$ DC500V
4. Operating Temperature Range: $-25^{\circ}C + 80^{\circ}C$
5. Ambient Humidity Used: $\leq 85\%RH$
6. Operating Force : $30gf \pm 20gf$,
7. Life : 100,000 Cycles

ITEM	PART NAME	TER'NO.	QTY.	MATERIAL	FINISHING	REMARK
⑤	Knob	---	1	NYLON	Black	---
④	Cover	---	1	SUS	Ct	---
③	Contact Spring	---	1	Phosphor Bronze	Ag Plated	---
②	Terminal	---	4	Phosphor Bronze	Ag Plated	---
①	Base	---	1	LCP	Black	---

APPROVALS		DATE	TITLE:	
DRAWN	JKUN.LU	2015.03.17	DETECTOR SWITCHS	
CHECKED			ELECTRONICS CO.,LTD	
APPROVALS			HROON	

ECN NO.	REV.	DATE.	DESCRIPTION.	CHANGE.	CHECK.	APPRO.	TOLERANCES ARE	ANGLE	UNIT:	SCALE:	PROJ:	SHEET
	A		NEW				30 \pm 0.15	± 0.30	mm	1:1	PROJ: 1	1 OF 1
							10 \pm 0.30	± 0.20				
							5 \sim 10	± 0.15				
							\sim 5	± 0.10				