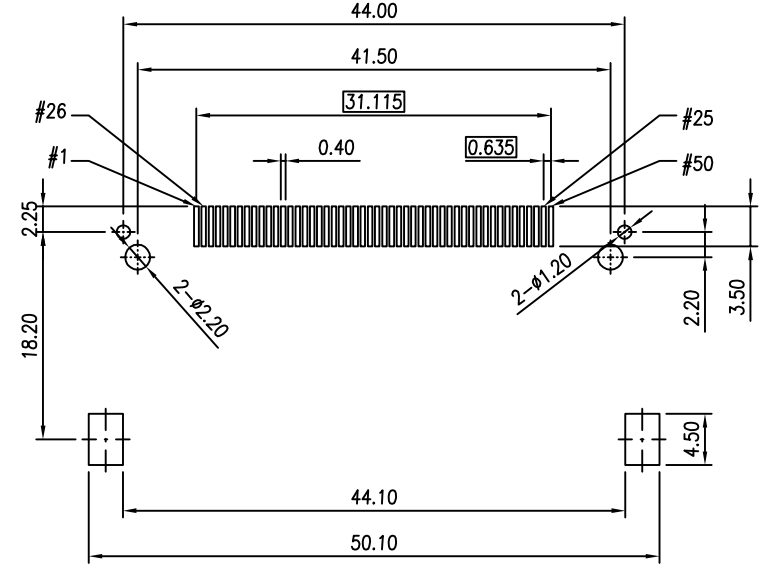
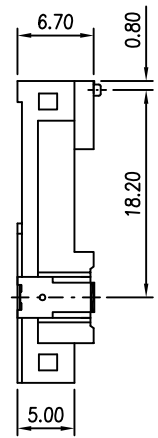


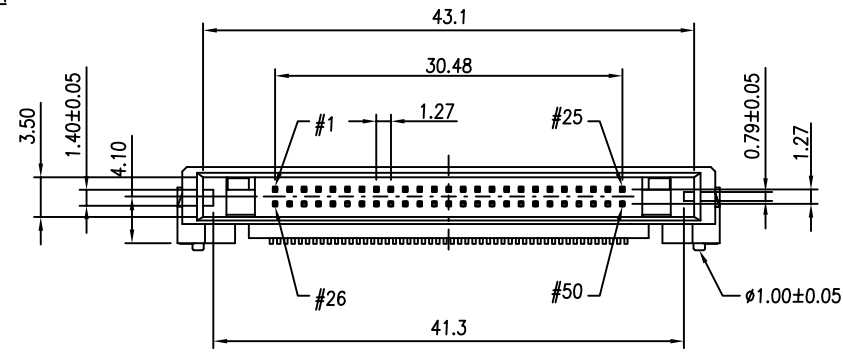
Table 1		
Pin Type	Dim. L	Pin No.
Detect	3.50mm (0.138in)	25,26
General	4.25mm (0.167in)	The Others
Power	5.00mm (0.197in)	01,13,38,50

±0.20

NOTE:  
 1.MATERIAL  
 HOUSING: HIGH TEMPERATURE THERMOPLASTIC.  
 CONTACT: COPPER ALLOY ,t=0.3mm.  
 HOLDDOWN: BRASS , t=0.3mm  
 2.FINISH  
 CONTACT: UNDERPLATED: 50 u" MIN NICKEL.  
 CONTACT AREA: SELECTIVE GOLD OVER NICKEL PLATED.  
 SOLDER AREA: 100u" MIN TIN OVER NICKEL PLATED.  
 HOLDDOWN: 100u" MIN TIN OVER 50u" MIN NICKEL PLATED.



RECOMMENDED PCB LAYOUT (TOP VIEW)  
 Tolerance: ±0.05



PART NO.

CFH-R 3 C 1 L B M XX MN 2

Contact Area Plating  
 01: Gold Flash  
 15: 15u" Gold  
 30: 30u" Gold

				TOLERANCE	
				LINEAR	ANGLES
				X.±0.30	X'±
				.X±0.20	.X'±
A	New Release	Wei Renwen	Apr,15,2007	.XX±0.15	.XX'±
REV	ECN NO.	NAME	DATE	.XXX±0.08	.XXX'±

**UMax conn** 东莞市友贸实业有限公司  
 DONGGUAN UMAXCONN ENTERPRISE LIMITED

APPD: Jason    MAT'L:  
 CHKD: Schumi    FINISH:  
 DRWN: Wei Renwen    Q'TY:

TITLE: CF Card Header Type 1, Standoff 1.65mm				
PART NO. CFH-R3C1LBMXXMN2				
DWG NO. CF107008				
UNITS	SCALE	SHEET	REV	INSPECTION