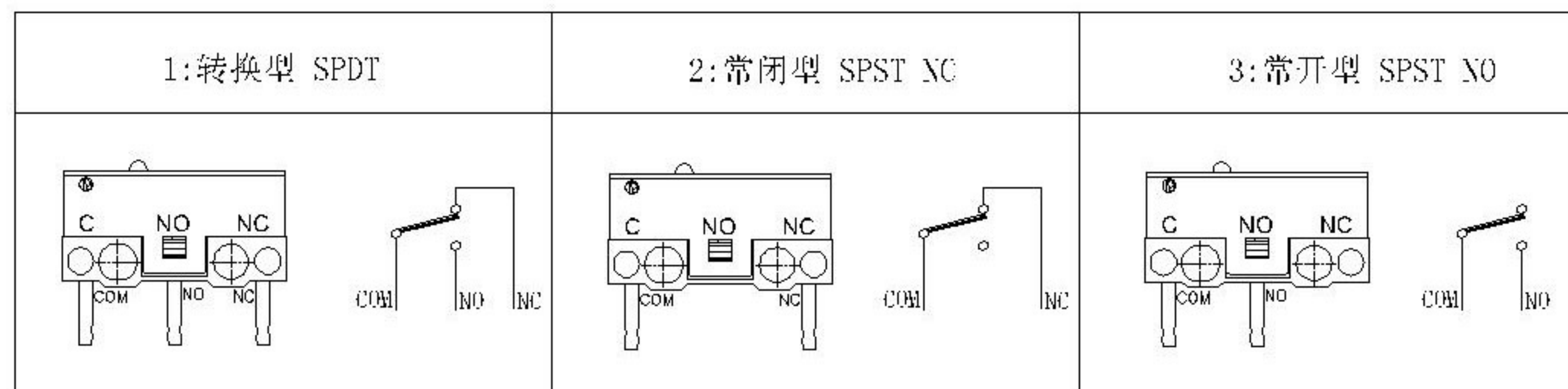


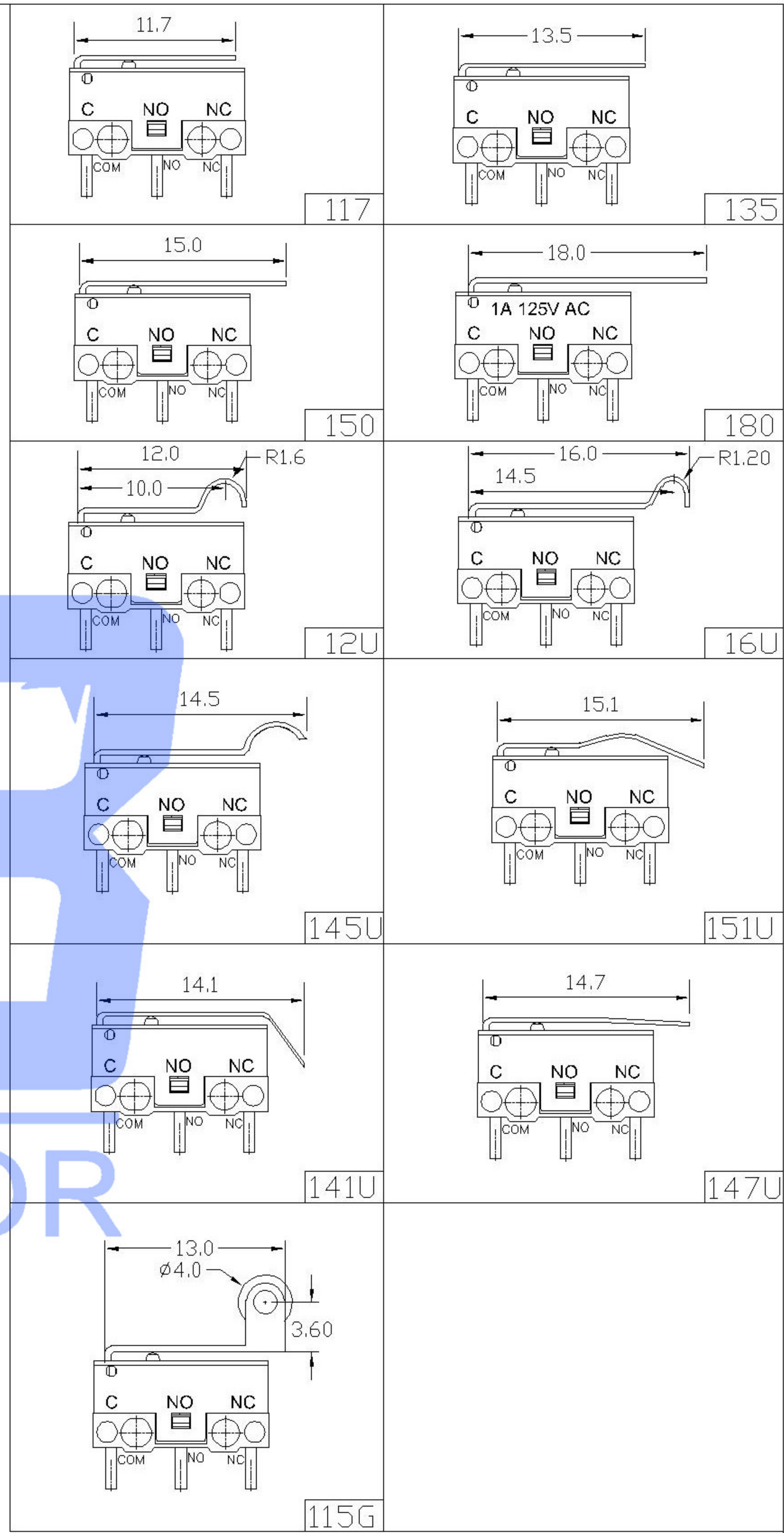
Circuit Diagram

NOTE:  
 1.Rating:DC30V 0.1A  
 2.OP:10.20±0.8  
 3.Operating force:30±15gf  
 4.Mechanical Life:3,000,000



### DMX-XXXXP-X

1: 1A以下  
 3: 3A



MARK	DESCRIPTION	DATE	REVISED	APPROVED	UNSPECIFIED TOLERANCES
△X					ANGULAR ±5°
△X					L ≤ 4 ±0.2
△X					4 < L ≤ 16 ±0.3
					16 < L ≤ 63 ±0.4
					L > 63 ±0.5
REVISIONS					
www.xk-dg.cn www.helloxkb.com www.helloxkb.cn					

DSND	DATE	SCALE: N/A	MODEL TYPE: MICRO SWITCH
DWN	DATE	VIEW:	PART NO.:
CHKD	DATE	UNIT: mm	DWG NO.: DMX-XXXXP-X
APPD	DATE	SIZE: A4	WEIGHT 1.0g
XKB INDUSTRIAL PRECISION CO.,LIMITED			SHEET 1/1
			REVISION A0