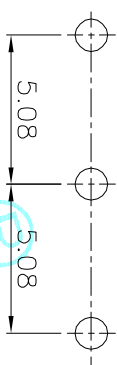
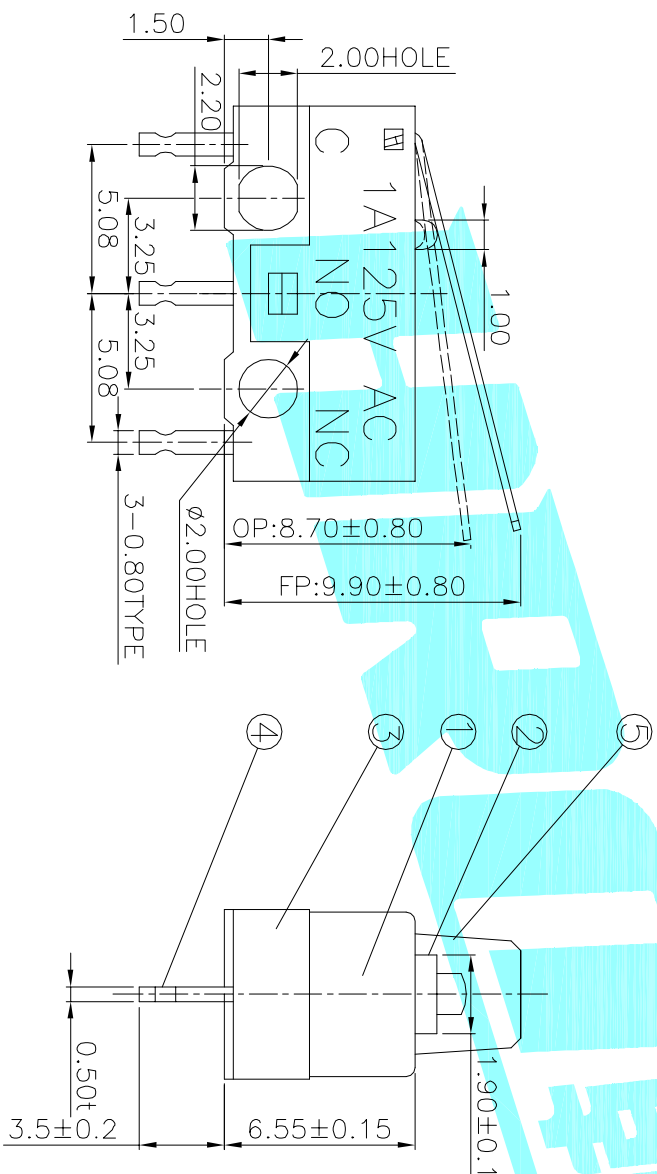


Circuit Diagram



P.C.B layout

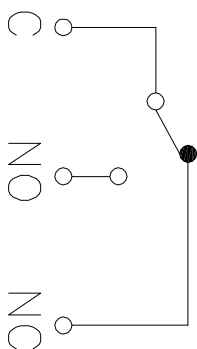
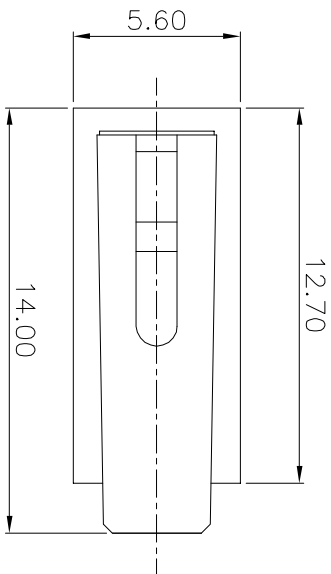


NOTE:  
 1. Rating:DC30V 0.1A  
 2.OP:8.70±0.8  
 3.Operating force:30±15gf  
 4.Mechanical Life:3,000,000

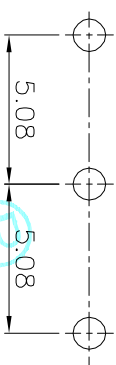
⑦	Shrapnel	1	Beryllium Copper			
⑥	Contact	1	Ag			
⑤	Lever	1	Stainless Steel			
④	Terminal	3	Bross(0.50t)	Plating silver		
③	Housing	1	PBT	White		
②	Knob	1	POM	Green		
①	Cover	1	PBT	Black		
ITEM	PART NAME	TER'NO.	QTY.	MATERIAL	FINISHING	REMARK

APPROVALS		DATE	ELECTRONICS CO.,LTD		
DRAWN	J.X.Zhang	2013/6/4	MICRO SWITCHS		
CHECKED			PART NO. K9-1267H-G-13.1		
APPROVALS			TITLE: MICRO SWITCHS		

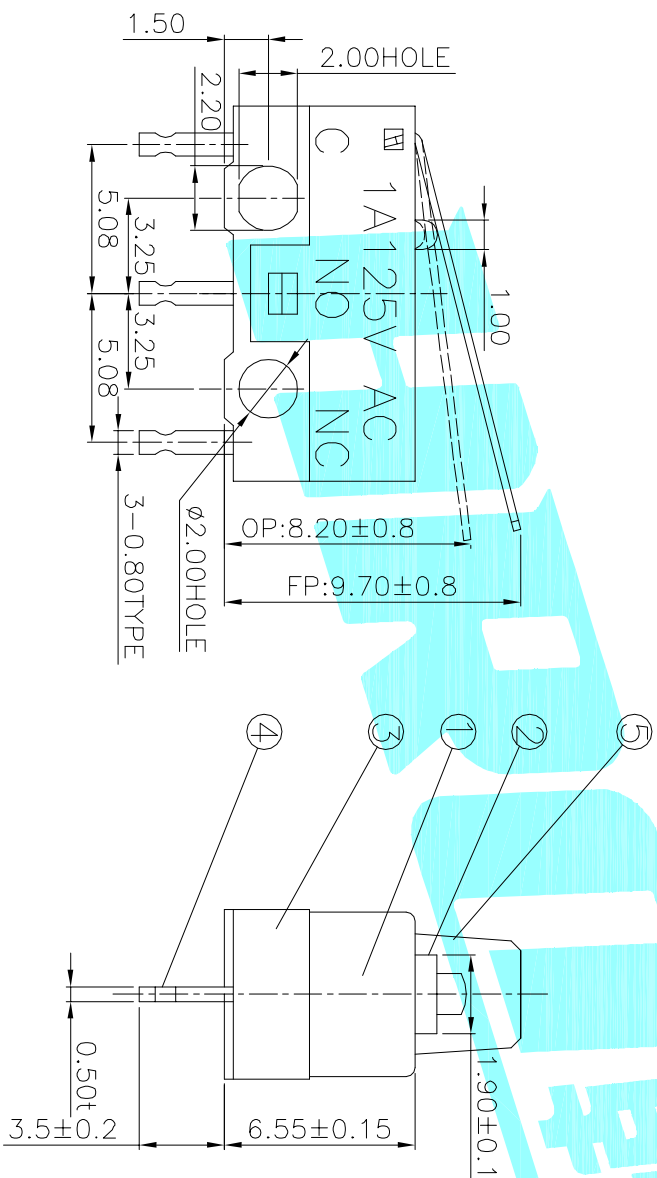
ECN NO.	REV.	DATE.	DESCRIPTION.	CHANGE.	CHECK.	APPRO.	TOLERANCES ARE	30~125 ±	±0.30	ANGLE	UNIT: mm	SCALE: 1:1	PROD.	SHEET
	A		NEW				10~30	±0.20						1 OF 1
							5~10	±0.15	±2°					



Circuit Diagram



P.C.B layout



NOTE:  
 1. Rating:DC30V 0.1A  
 2.OP:8.20±0.8  
 3.Operating force:30±15gf  
 4.Mechanical Life:3,000,000

⑦	Shrapnel	1	Beryllium Copper			
⑥	Contact	1	Ag			
⑤	Lever	1	Stainless Steel			
④	Terminal	3	Bross(0.50t)	Plating silver		
③	Housing	1	PBT	White		
②	Knob	1	POM	White		
①	Cover	1	PBT	Black		
ITEM	PART NAME	TER'NO.	QTY.	MATERIAL	FINISHING	REMARK

APPROVALS		DATE	ELECTRONICS CO.,LTD		
DRAWN	J.X.Zhang	2013/6/4	MICRO SWITCHS		
CHECKED			PART NO. K9-1267H-D-13.1		
APPROVALS			TITLE: MICRO SWITCHS		

ECN NO.	REV.	DATE.	DESCRIPTION.	CHANGE.	CHECK.	APPRO.	TOLERANCES ARE	30~125 ±	±0.30	ANGLE	UNIT: mm	SCALE: 1:1	PROD.	SHEET 1 OF 1
	A		NEW				10~30 ±	±0.20						
							5~10 ±	±0.15		±2'				
							~ 5 ±	±0.10						