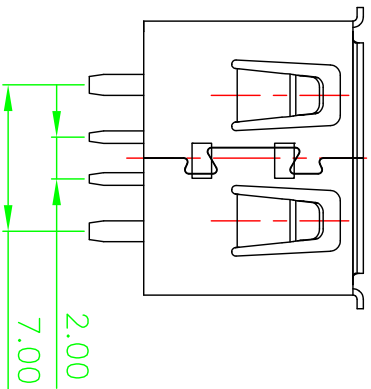
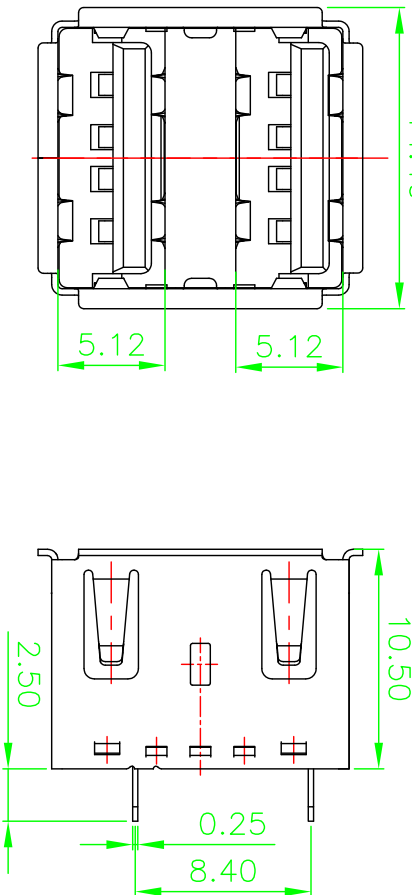
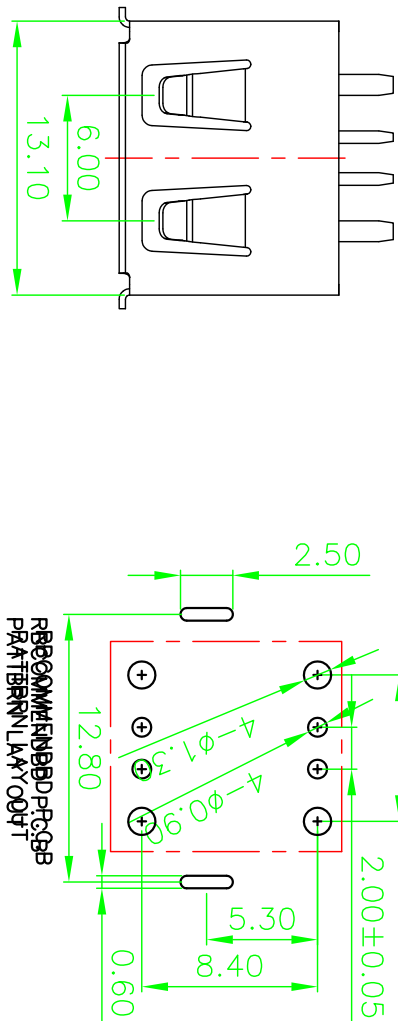


RoHS

# Parts Drawing



1	907-312A1021Y102	5
2		6
3		7
4		8

REVISIONS		
SYM	ECN No.	MODIFICATION
		DATE
		ISSUED

- Note:
- Material:
    - Housing: High temperature thermoplastic with/black g.f,UL94v-0
    - Contact: copper alloy,t=0.25mm
    - Shell: copper/Ferroalloy alloy,t=0.30mm
  - Specification:
    - Current rating:3.0A Max.
    - Dielectric withstanding voltage: 100 V(ac) for 1 min.
    - Contact resistance: 30 mΩ Max.
    - Insulation resistance: 100 MΩ Min.
    - Total mating force: 3.57 Kgf Max.
    - Total unmating force: 1.0 Kgf Min.
  - Finish:
    - Contact: Plated Gold in Mating Area: Tin On Solder Talls
    - Shell: Nickel Plating
  - Environmental:
    - Temperature range: -55°C~85°C

- PART ON:  
907-222AXXX1Y1XX
- 电键规格: 02, 镀金1u" 04, 镀金3u" 07, 镀金15u" 08, 镀金30u"
  - 端子材料: 1, 青铜 2, 磷铜
  - 端子规格: D, 90度 Y, 180度 S, SMT 贴板
  - 塑胶颜色: 01, 白色 02, 黑色 03, 本色
  - 塑胶类型: 1, 双层短体 2, 双层半包
  - 塑胶材料: 1, PBT 2, LCP 3, PA9T 4, PPA 5, PA6T
  - 对插方向: A, 正向 B, 反向
  - 外壳材料: 1, 铁壳 2, 铜壳
  - 插口类型: 1, 有边平弹 2, 无边平弹
  - 外壳脚型: 1, 弯脚 2, 直脚 3, 无脚
  - 类别: 双层系列

DRAWN				
CHECKED		TITLE	PART NO.	SEE PART ON
APPROVED		USB AF 10.5短体双层无脚有边	DRAWING NO.	R907312A1021Y102
	UNIT	TOLERANCE	SCALE	SHEET
	mm	.XXX±.10, .XX±.25, .X±.38, ANG±5°	1:1	1 OF 1
			SIZE	REV.
			A4	X1

**深圳拓金电子有限公司**

5 4 3 2 1

A B C D E

5 4 3 2 1