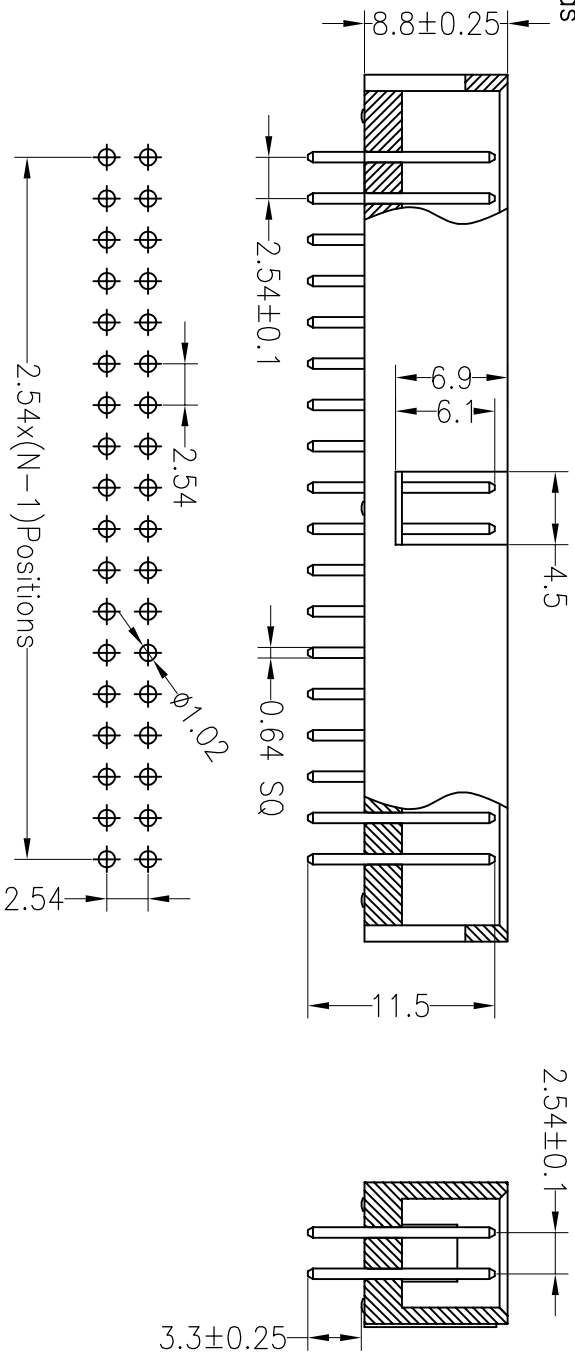
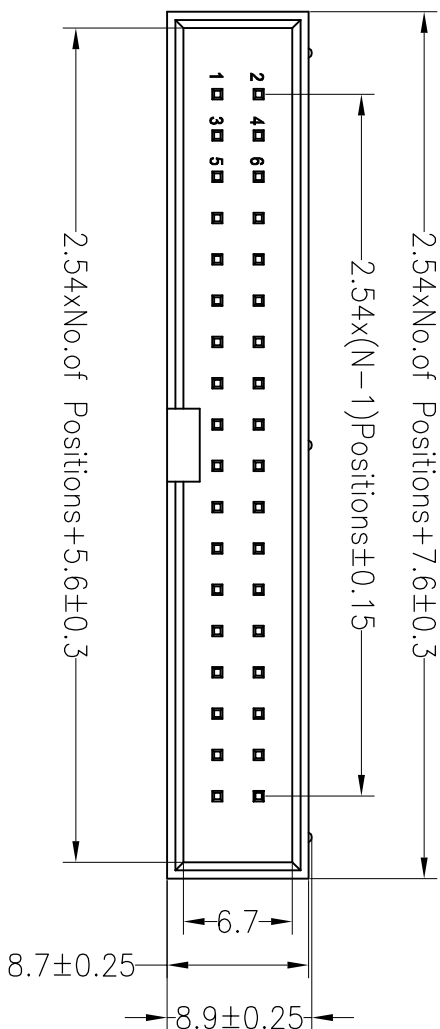


SPECIFICATIONS

Rated Current: 3.0AMP
 Contact Resistance: 20mΩ Max
 Withstand Voltage: 1000V AC/DC
 Insulation Resistance: 1000MΩ Min
 Operation Temperature: -40°C to +105°C

Contact Material: Brass
 Contact Plating: Au Over Ni
 Insulator Material: Polyester (UL94V-0)
 Standard: PBT
 Max. Processing Temp: 180°C for 30-60 seconds
 (200°C for 10 seconds)



Recommended P.C.B Layout (Top Side)
 (PCB BOARD TOLERANCE ±0.05)

深圳市连盛精密连接器有限公司

REV	DATE	MODIFICATION DESCRIPTION	CHANGE	OPERATION		DRAW		SCALE		FIT	PART NO.	TITLE:
				X.X	±0.30	CHECK	UNIT	mm	SIZE			
A0	2012.03.28	NEW DRAWING		X.XX	±0.20			A4	1/1		BH-00017	2.54BOX H8.8mm 30P 180°
1				X.XXX	±0.10	APPROVE		1/1				