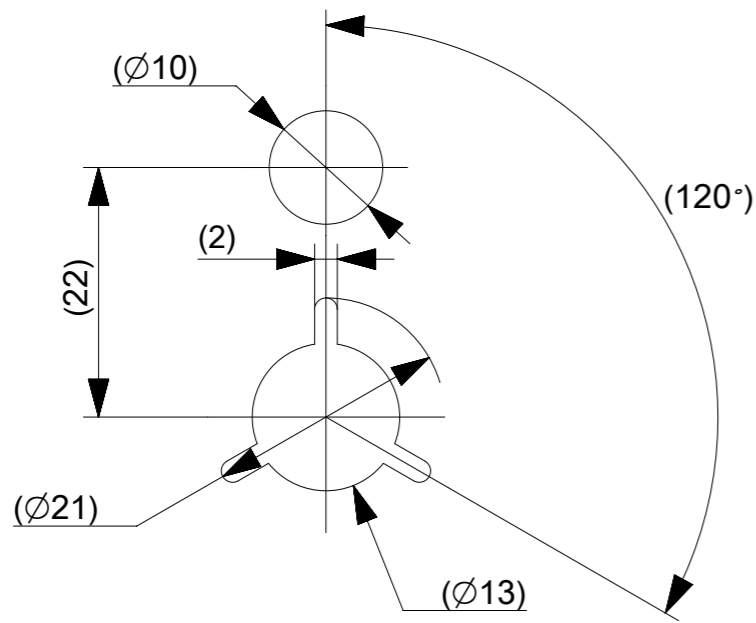
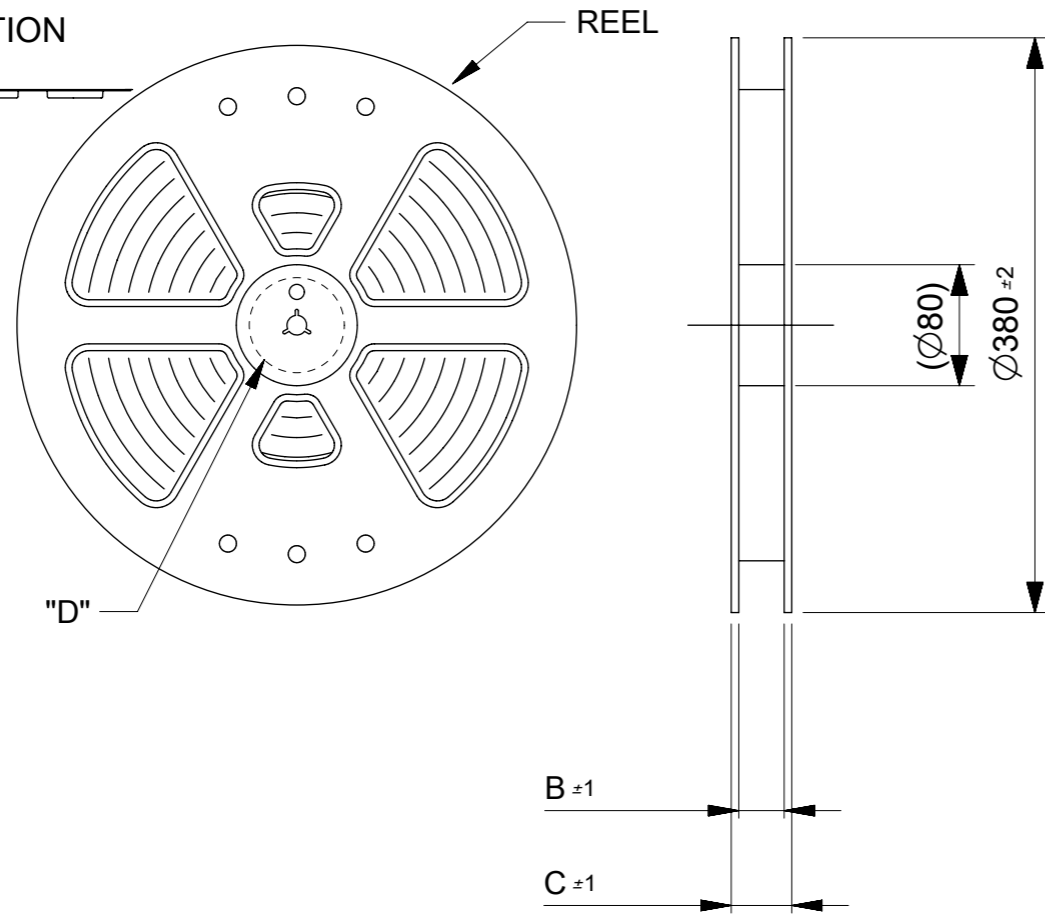


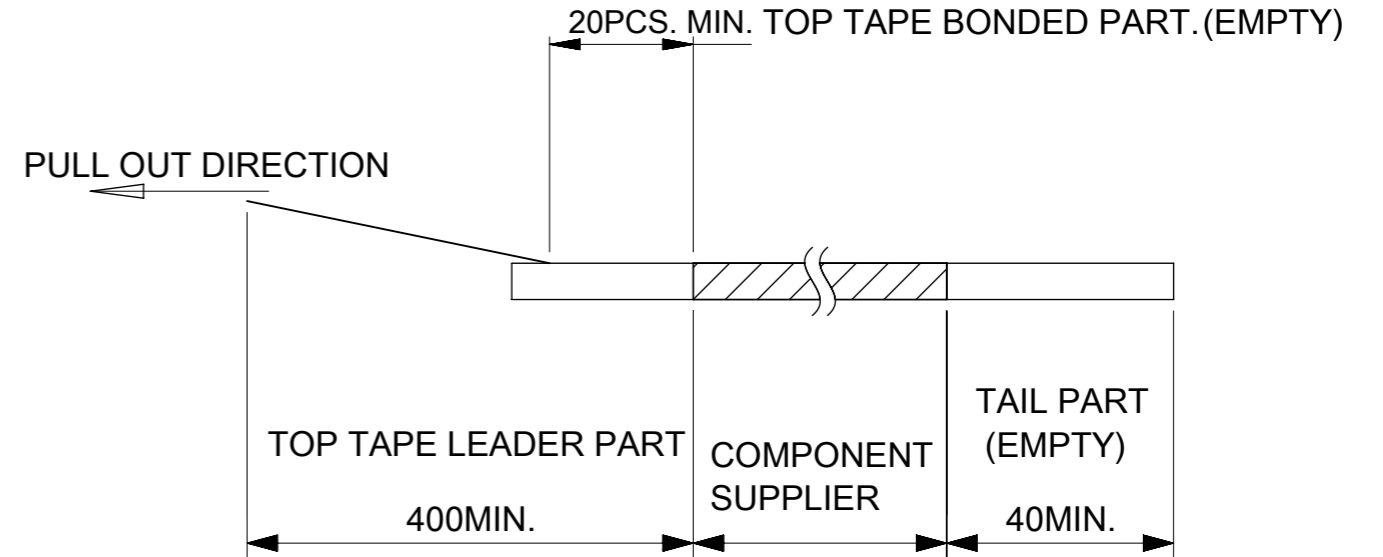
PULL OUT DIRECTION



DETAIL "D"

NOTES

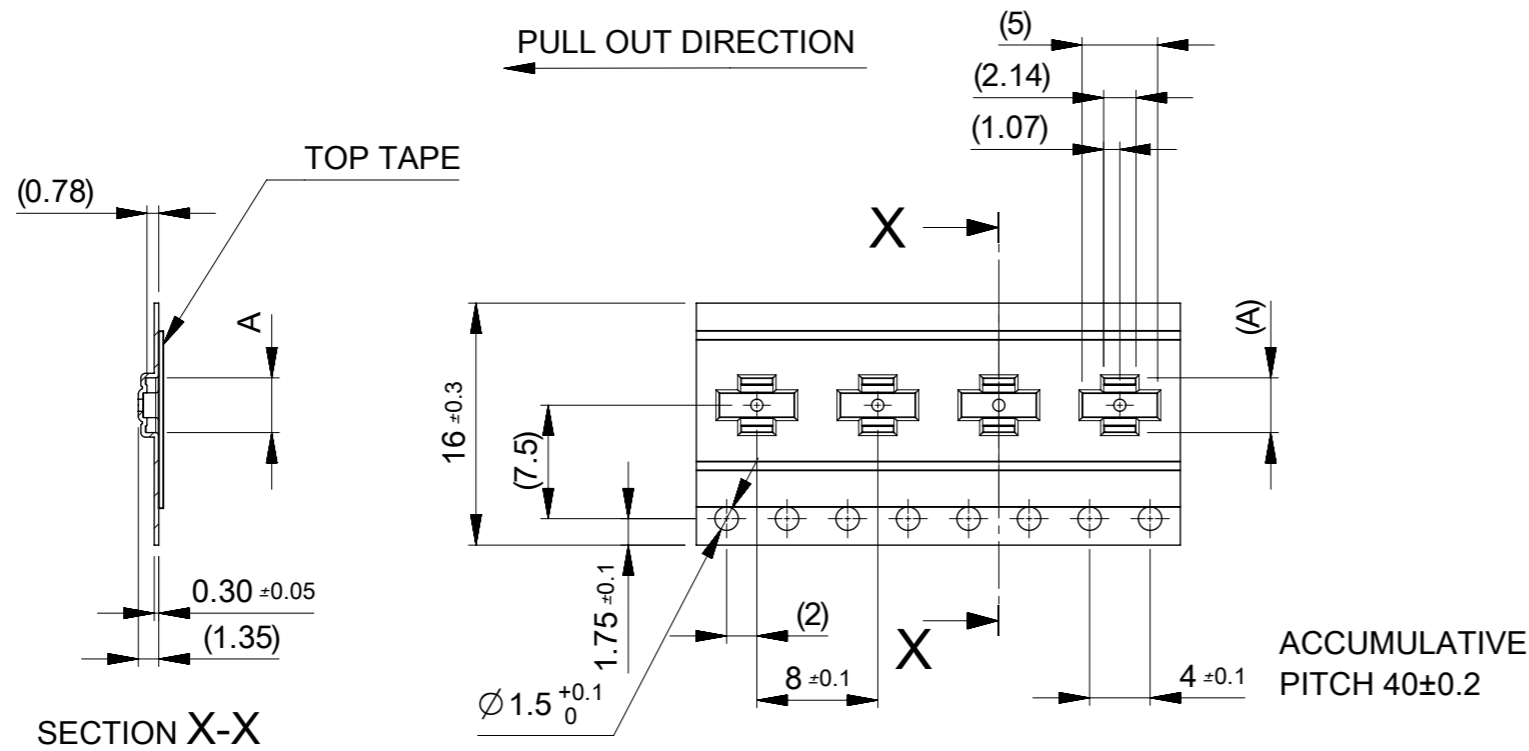
1. RE DETAILED DIMENSION, SEE PRODUCT DRAWING.
2. NUMBER OF CONNECTORS : 8000 PCS/REEL.
3. LEAD TAPE LENGTH.



4. TOP TAPE PEEL FORCE IS DEFINED BY IEC60286-3
5. MATERIAL
 CARRER TAPE :POLYSTYRENE
 TOP TAPE :PET , OTHER
 REEL :POLYSTYRENE(PS)(RECYCLE MATERIAL CONTAINED)

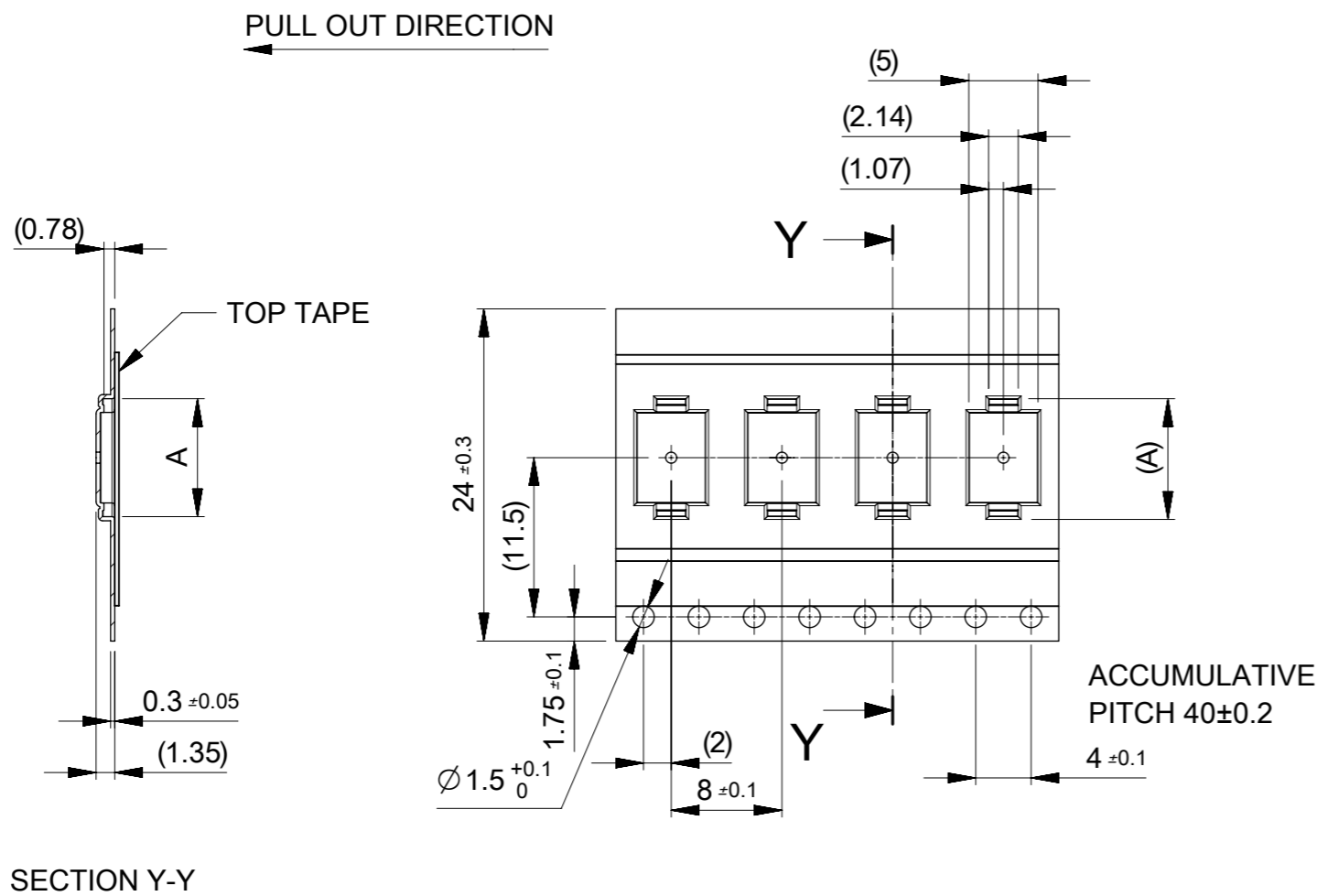
MODEL NO. 505066-**22

THIS DRAWING CONTAINS INFORMATION THAT IS PROPRIETARY TO MOLEX ELECTRONIC TECHNOLOGIES, LLC AND SHOULD NOT BE USED WITHOUT WRITTEN PERMISSION		CURRENT REV DESC: REVISED		molex	
DIMENSION UNITS	SCALE				
mm	1:5			PRODUCT CUSTOMER DRAWING	
GENERAL TOLERANCES (UNLESS SPECIFIED)		EC NO: 612826		DOCUMENT NUMBER	
ANGULAR TOL	± 1.0 °	DRWN: GSHARMA 2019/02/22		5050660000	
4 PLACES	± 0.01	CHK'D: MSASAO 2019/02/27		DOC TYPE	DOC PART
3 PLACES	± 0.03	APPR: MSASAO 2019/02/27		PSD	008
2 PLACES	± 0.05	INITIAL REVISION:		REVISION	C
1 PLACE	± 0.1	DRWN: TNISHIDA02 2017/03/28			
0 PLACES	± 0.2	APPR: TKUSUHARA01 2017/04/03			
DRAFT WHERE APPLICABLE MUST REMAIN WITHIN DIMENSIONS		THIRD ANGLE PROJECTION	DRAWING	SERIES	MATERIAL NUMBER
			A3-SIZE	505066	CUSTOMER
				GENERAL	SHEET NUMBER
				1 OF 3	



16	21.4	17.4	7.82	505066-3022	○	---	30
			6.77	505066-2422	○	---	24
			6.42	505066-2222	○	---	22
			6.07	505066-2022	○	---	20
			5.72	505066-1822	---	---	18
			5.37	505066-1622	○	---	16
			5.02	505066-1422	○	---	14
			4.67	505066-1222	○	---	12
			4.32	505066-1022	○	---	10
			3.97	505066-0822	○	---	8
3.62	505066-0622	○	---	6			
キャリアテープ幅 CARRIER TAPE WIDTH	C	B	(A)	MATERIAL No.	HIGH VOL. TOOL	LOW VOL. TOOL	CIRCUIT
					SAMPLE PREPARATION		

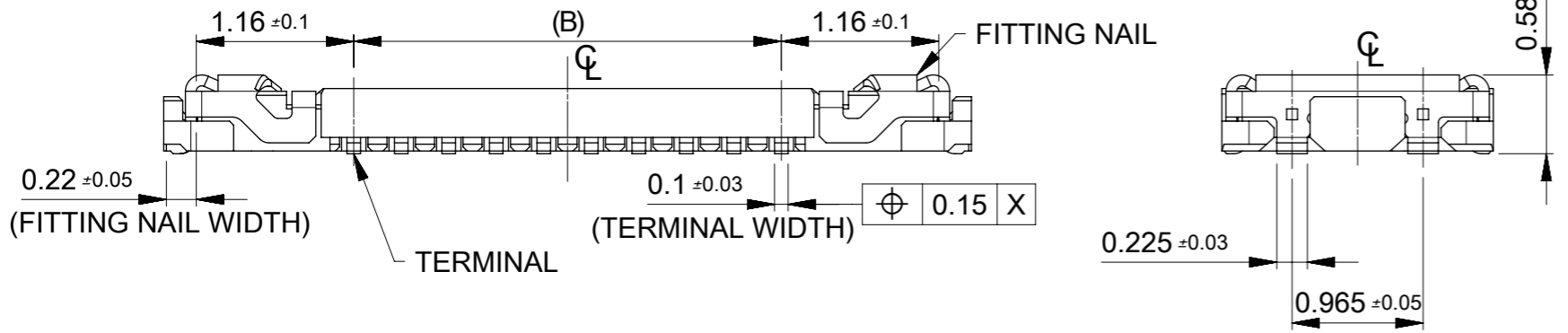
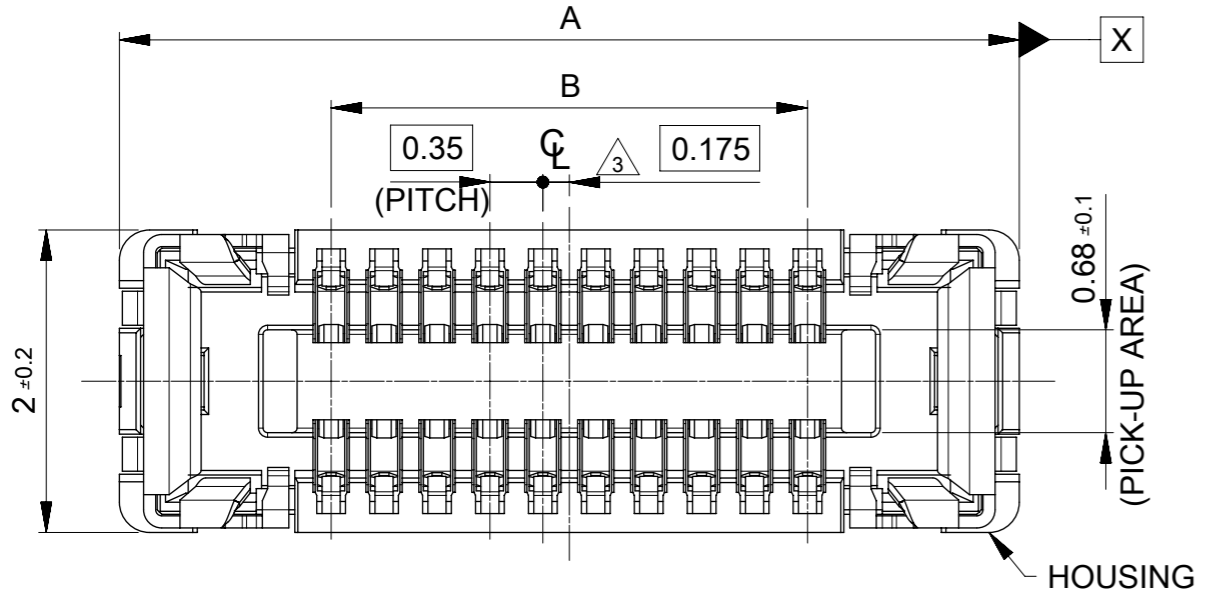
DIMENSION UNITS		SCALE	CURRENT REV DESC: REVISED				
mm		2:1	<p>molex</p> <p>0.35 BB CONN. H=0.6 SSB6 RP REC ASSY</p> <p>PRODUCT CUSTOMER DRAWING</p> <p>DOCUMENT NUMBER: 5050660000 DOC TYPE: PSD DOC PART: 008 REVISION: C</p>				
GENERAL TOLERANCES (UNLESS SPECIFIED)							
ANGULAR TOL ± 1.0°							
4 PLACES ± 0.01							
3 PLACES ± 0.03							
2 PLACES ± 0.05							
1 PLACE ± 0.1			INITIAL REVISION:		DRWN: TNISHIDA02 2017/03/28		
0 PLACES ± 0.2			APPR: TKUSUHARA01 2017/04/03				
DRAFT WHERE APPLICABLE MUST REMAIN WITHIN DIMENSIONS		THIRD ANGLE PROJECTION	DRAWING	SERIES	MATERIAL NUMBER	CUSTOMER	SHEET NUMBER
			A3-SIZE	505066		GENERAL	2 OF 3



24	29.4	25.4	13.77	505066-6422	---	---	64
			13.07	505066-6022	---	---	60
			12.02	505066-5422	○	---	54
			11.32	505066-5022	○	---	50
			10.99	505066-4822	○	---	48
			10.62	505066-4622	---	---	46
			9.92	505066-4222	○	---	42
			9.57	505066-4022	○	---	40
			8.52	505066-3422	○	---	34
			8.17	505066-3222	---	---	32
キャリアテープ幅 CARRIER TAPE WIDTH	C	B	(A)	MATERIAL No.	HIGH VOL TOOL	LOW VOL TOOL	CIRCUIT
					SAMPLE PREPARATION		

THIS DRAWING CONTAINS INFORMATION THAT IS PROPRIETARY TO MOLEX ELECTRONIC TECHNOLOGIES, LLC AND SHOULD NOT BE USED WITHOUT WRITTEN PERMISSION

DIMENSION UNITS mm	SCALE 2:1	CURRENT REV DESC: REVISED		molex			
GENERAL TOLERANCES (UNLESS SPECIFIED)		EC NO: 612826					0.35 BB CONN. H=0.6 SSB6 RP REC ASSY
ANGULAR TOL	± 1.0°	DRWN: GSHARMA 2019/02/22		PRODUCT CUSTOMER DRAWING			
4 PLACES	± 0.01	CHK'D: MSASAO 2019/02/27		DOCUMENT NUMBER			
3 PLACES	± 0.03	APPR: MSASAO 2019/02/27		5050660000			
2 PLACES	± 0.05	INITIAL REVISION:		DOC TYPE	DOC PART	REVISION	
1 PLACE	± 0.1	DRWN: TNISHIDA02 2017/03/28		PSD	008	C	
0 PLACES	± 0.2	APPR: TKUSUHARA01 2017/04/03		SHEET NUMBER			
DRAFT WHERE APPLICABLE MUST REMAIN WITHIN DIMENSIONS		THIRD ANGLE PROJECTION	DRAWING	SERIES	MATERIAL NUMBER	CUSTOMER	SHEET NUMBER
			A3-SIZE	505066		GENERAL	3 OF 3



NOTES

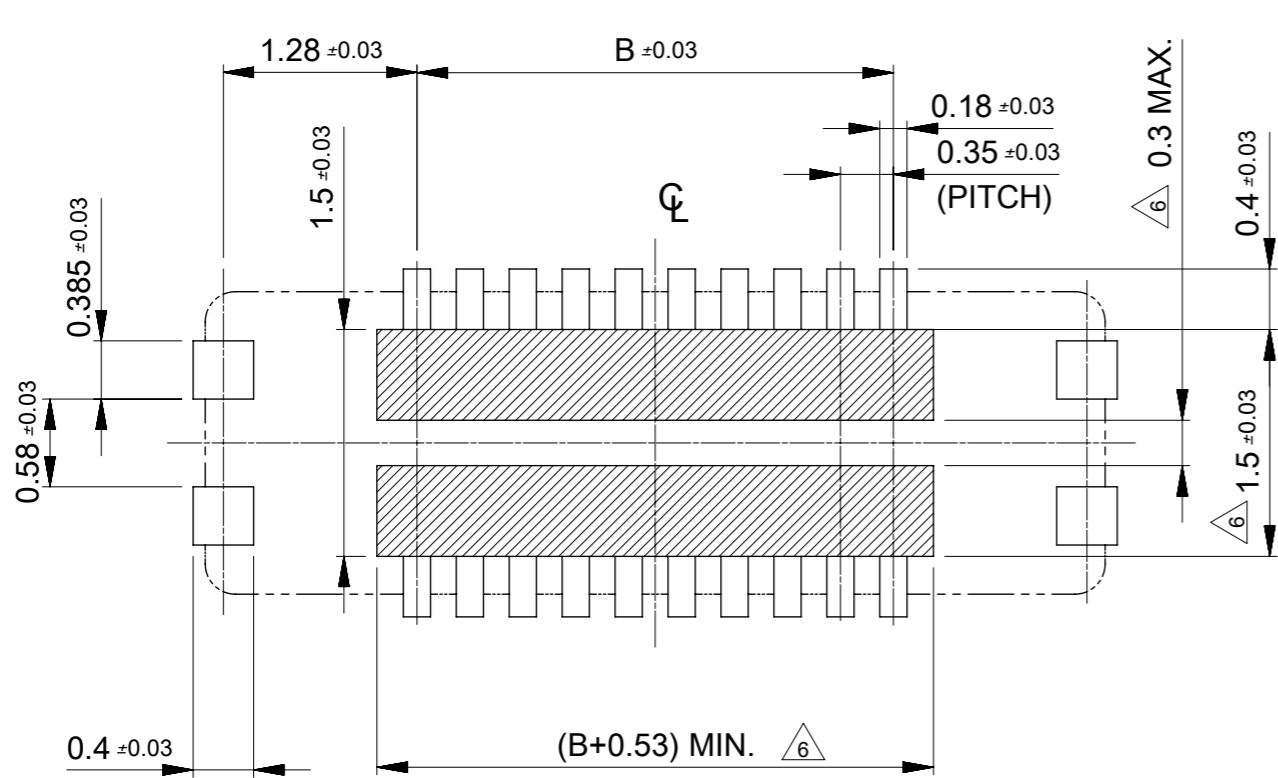
- 1 MATERIAL
 WAFER: LIQUID CRYSTAL POLYMER UL94V-0 (COLOR: BLACK)
 TERMINAL: COPPER ALLOY
 FITTING NAIL: COPPER ALLOY
- 2 PLATING
 TERMINAL:
 CONTACT AREA: SEPARATED GOLD PLATING (0.1 MICROMETER MINIMUM).
 SOLDER TAIL AREA: SEPARATED GOLD PLATING.
 UNDERPLATE: NICKEL OVERALL.
 *DIVIDE INTO PARTS THE GOLD PLATING OF THE CONTACT AND THE TAIL PART BY THE NICKEL PLATING.
- FITTING NAIL:
 CONTACT AREA: SEPARATED GOLD PLATING (0.1 MICROMETER MINIMUM).
 SOLDER TAIL AREA: SEPARATED GOLD PLATING.
 UNDERPLATE: NICKEL OVERALL.
 *DIVIDE INTO PARTS THE GOLD PLATING OF THE CONTACT AND THE TAIL PART BY THE NICKEL PLATING.
 *EVEN THOUGH GOLD PLATING ON THE TOP SURFACE OF NAIL MIGHT BE THIN, NO FUNCTIONAL PROBLEM.
- 3 APPLY FOR (CIRCUIT/2)=EVEN.
- 4 MATE WITH : 505070-**22/ 505070-**42
- 5 TAIL AND FITTING NAIL COPLANARITY TO BE 0.08 MAXIMUM.
- 6 PROHIBITED AREA OF PATTERN WIRING AND SOLDER.
 (FOR EACH AREA, THE WIRING THAT TOUCHES ON THE SOLDER CAN BE ATTACHED, THEN COVERED WITH A FILM TO KEEP SOLDER OUT).

11.90	14.70	505066-7022	---	---	70
10.85	13.65	505066-6422	---	---	64
10.15	12.95	505066-6022	---	---	60
9.80	12.60	505066-5822	---	---	58
9.10	11.90	505066-5422	○	---	54
8.40	11.20	505066-5022	○	---	50
8.05	10.85	505066-4822	○	---	48
7.70	10.50	505066-4622	---	---	46
7.00	9.80	505066-4222	○	---	42
6.65	9.45	505066-4022	○	---	40
6.30	9.10	505066-3822	---	---	38
5.60	8.40	505066-3422	○	---	34
5.25	8.05	505066-3222	---	---	32
4.90	7.70	505066-3022	○	---	30
3.85	6.65	505066-2422	○	---	24
3.50	6.30	505066-2222	○	---	22
3.15	5.95	505066-2022	○	---	20
2.80	5.60	505066-1822	---	---	18
2.45	5.25	505066-1622	○	---	16
2.10	4.90	505066-1422	○	---	14
1.75	4.55	505066-1222	○	---	12
1.40	4.20	505066-1022	○	---	10
1.05	3.85	505066-0822	○	---	8
0.70	3.50	505066-0622	○	---	6

B	A	EMBOSSED TAPE PACKAGE	HIGH VOL. TOOL	LOW VOL. TOOL	CIRCUIT
		ORDER NO.	SAMPLE PREPARATION ○ : TOOLED △ : WORK IN PROCESS --- : TOOLING TO BE CONFIRMED		

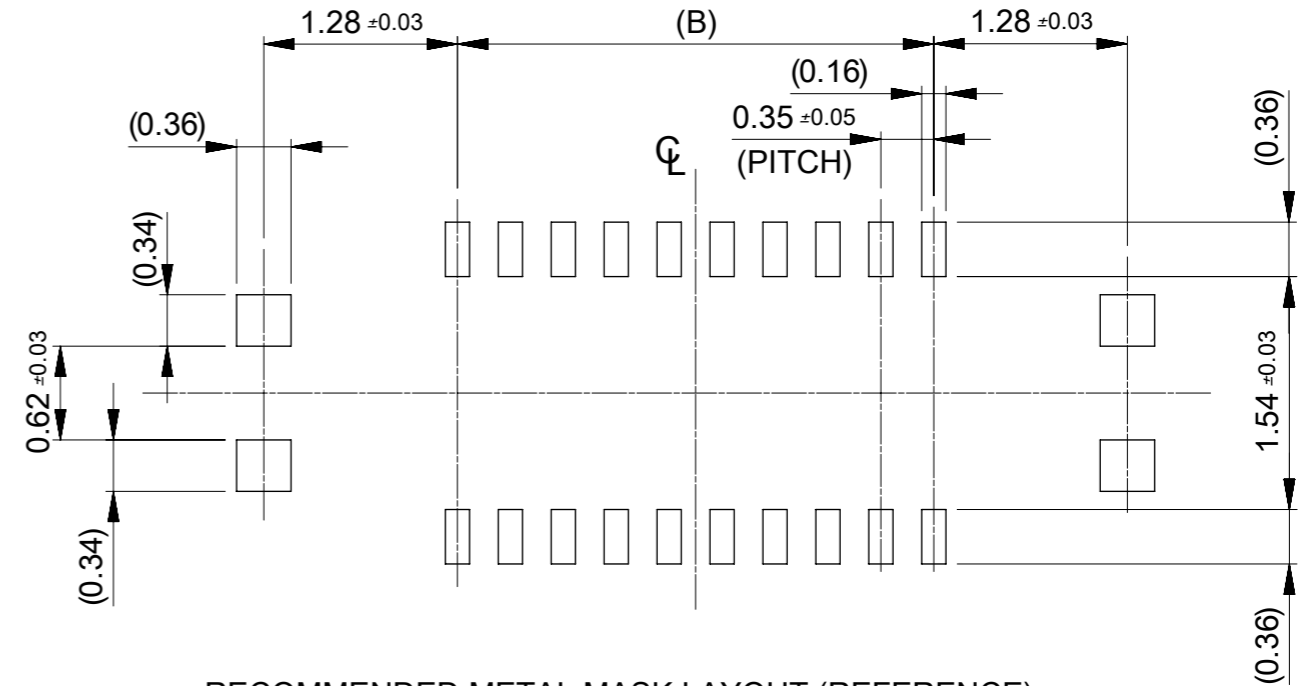
CONNECTOR SERIES No. : 505066-**09

THIS DRAWING CONTAINS INFORMATION THAT IS PROPRIETARY TO MOLEX ELECTRONIC TECHNOLOGIES, LLC AND SHOULD NOT BE USED WITHOUT WRITTEN PERMISSION		CURRENT REV DESC: REVISED		molex	
DIMENSION UNITS mm	SCALE 20:1	GENERAL TOLERANCES (UNLESS SPECIFIED)			
ANGULAR TOL ± 1.0°		EC NO: 612826		0.35 BB CONN. H=0.6 SSB6 RP	
4 PLACES ± 0.001		DRWN: GSHARMA 2019/02/22		PRODUCT CUSTOMER DRAWING	
3 PLACES ± 0.003		CHK'D: MSASAO 2019/02/27		DOCUMENT NUMBER	
2 PLACES ± 0.03		APPR: MSASAO 2019/02/27		5050661000	
1 PLACE ± 0.1		INITIAL REVISION:		DOC TYPE DOC PART REVISION	
0 PLACES ± 0.2		DRWN: TNISHIDA02 2017/03/28		PSD 016 C	
DRAFT WHERE APPLICABLE MUST REMAIN WITHIN DIMENSIONS		APPR: TKUSUHARA01 2017/04/03		MATERIAL NUMBER	
THIRD ANGLE PROJECTION		DRAWING		CUSTOMER	
A3-SIZE		SERIES		SHEET NUMBER	
A3-SIZE		505066		GENERAL 1 OF 2	



RECOMMENDED P.W. BOARD PATTERN LAYOUT (REFERENCE)

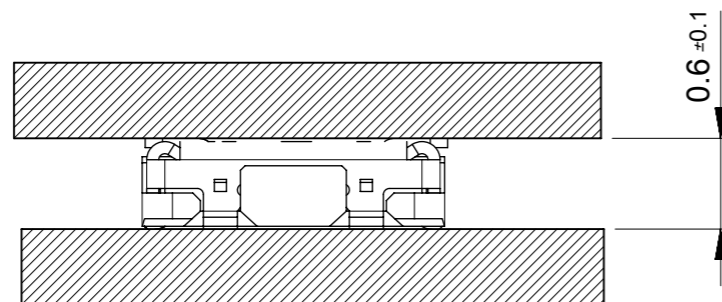
△ 6 PROHIBITED AREA OF PATTERN WIRING AND SOLDER
 (FOR EACH AREA, THE WIRING THAT TOUCHES ON THE SOLDER CAN BE ATTACHED, THEN COVERED WITH A FILM TO KEEP SOLDER OUT)



RECOMMENDED METAL MASK LAYOUT (REFERENCE)

RECOMMENDED THICKNESS OF METAL MASK : t=0.08mm

RECOMMENDED OPEN APERTURE RATIO OF METAL MASK : 80%



MATED CONDITION

THIS DRAWING CONTAINS INFORMATION THAT IS PROPRIETARY TO MOLEX ELECTRONIC TECHNOLOGIES, LLC AND SHOULD NOT BE USED WITHOUT WRITTEN PERMISSION									
DIMENSION UNITS	SCALE	CURRENT REV DESC: REVISED					molex		
mm	20:1								
GENERAL TOLERANCES (UNLESS SPECIFIED)		EC NO: 612826					0.35 BB CONN. H=0.6 SSB6 RP		
ANGULAR TOL	± 1.0 °	DRWN: GSHARMA		2019/02/22		PRODUCT CUSTOMER DRAWING			
4 PLACES	± 0.001	CHK'D: MSASAO		2019/02/27		DOCUMENT NUMBER			
3 PLACES	± 0.003	APPR: MSASAO		2019/02/27		5050661000		DOC TYPE	DOC PART
2 PLACES	± 0.03	INITIAL REVISION:					PSD 016 C		
1 PLACE	± 0.1	DRWN: TNISHIDA02		2017/03/28		SHEET NUMBER			
0 PLACES	± 0.2	APPR: TKUSUHARA01		2017/04/03		2 OF 2			
DRAFT WHERE APPLICABLE MUST REMAIN WITHIN DIMENSIONS		THIRD ANGLE PROJECTION	DRAWING	SERIES	MATERIAL NUMBER	CUSTOMER			
			A3-SIZE	505066	GENERAL				