



9mm Size Insulated Shaft Snap-in Type RK09K/RK09D Series

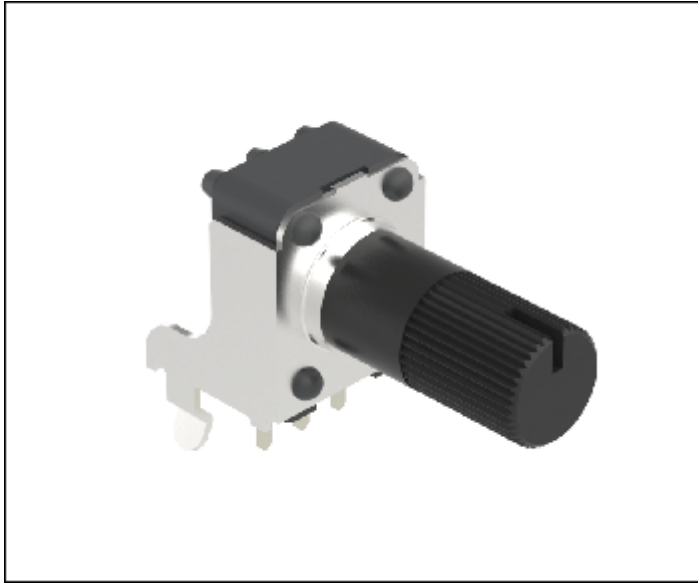
| | | |
|--------------------------------------|--------------------------------------|---|
| Part number | RK09K1110A0J | |
| Number of resistor elements | Single-unit (20V DC) | |
| Mounting direction (Mounting height) | Horizontal type H=6.5mm | |
| Collar (Sleeve type) | Without | |
| Shaft types | Knob | |
| Length of the shaft LM1 | 20mm | |
| Center detent | Without | |
| Total resistance | 10k Ω | |
| Resistance taper | 1B | |
| Operating temperature range | -10 $^{\circ}$ C to +70 $^{\circ}$ C | |
| Electrical Performance | Total resistance tolerance | $\pm 20\%$ |
| | Rated power | 0.05W |
| | Maximum operating voltage | 50V AC, 20V DC |
| | Insulation resistance | 100M Ω min. 250V DC |
| | Voltage proof | 250V AC for 1 minute |
| Mechanical Performance | Total rotational angle | 280 $^{\circ}$ $\pm 5^{\circ}$ |
| | Rotational torque | 1 to 8mN \cdot m |
| | Stopper strength | 0.3N \cdot m |
| | Push-pull strength | 50N max. |
| | Vibration | 10 to 55 to 10Hz/min., the amplitude is 1.5mm for all the frequencies, in the 3 direction of X, Y and Z and for 2 hours |

respectively

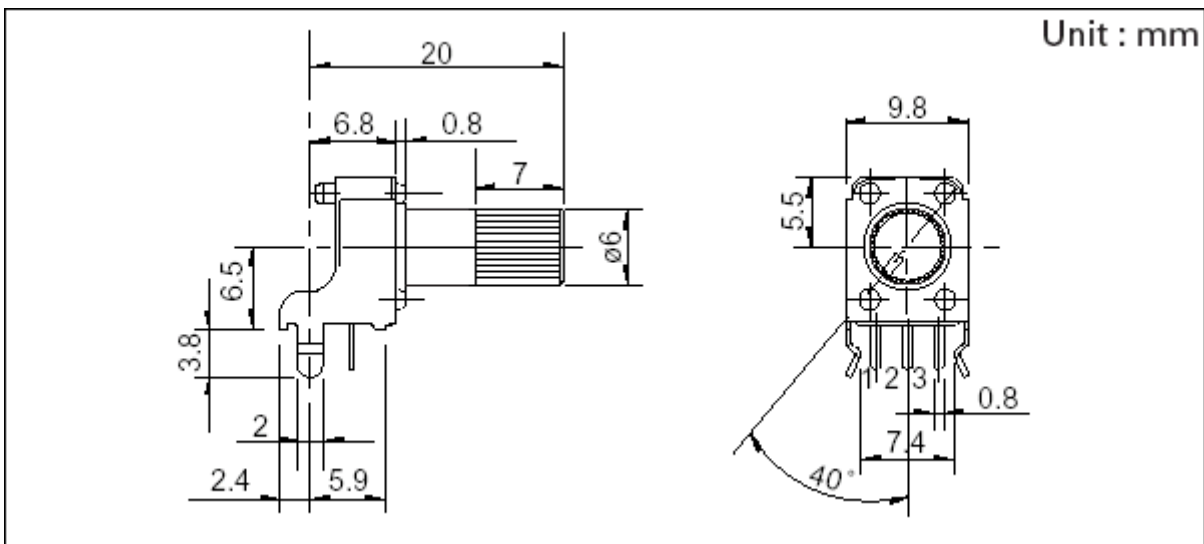
| | | |
|------------|----------------|--------------|
| Durability | Operating life | 5,000 cycles |
|------------|----------------|--------------|

| | | |
|------------------------------|--------|-------|
| Minimum order unit (pcs.) | Japan | 1,000 |
| | Export | 2,000 |

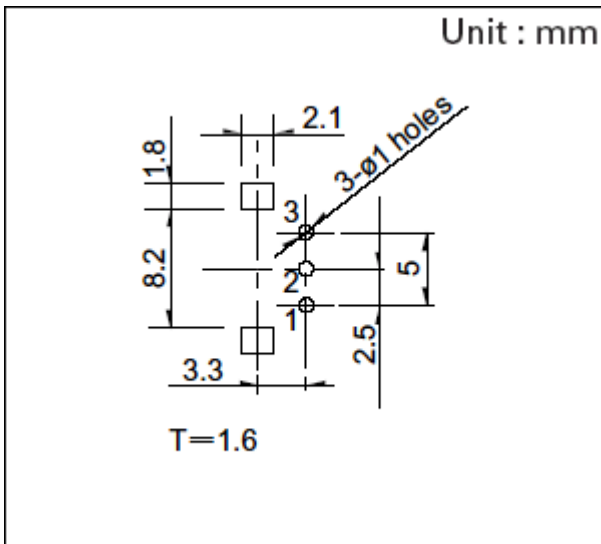
Photo



Dimensions

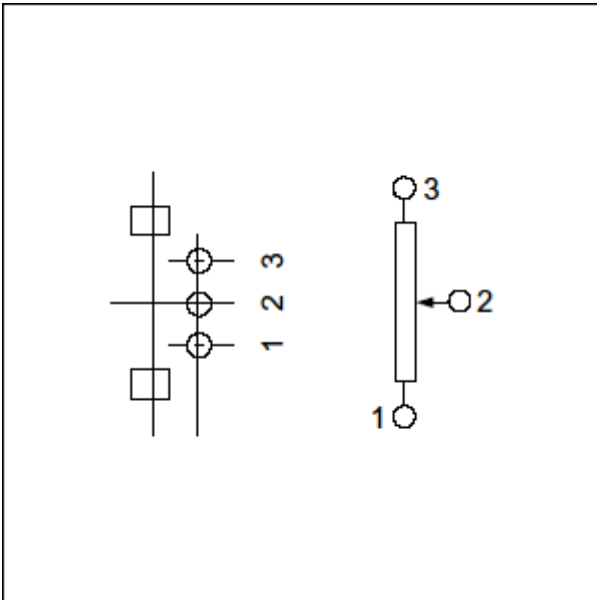


Mounting Hole Dimensions



Viewed from mounting side.

Terminal Layout / Circuit Diagram



Packing Specifications

Bulk

| | | |
|---------------------------|----------------|-------|
| Number of packages (pcs.) | 1 case / Japan | 1,000 |
|---------------------------|----------------|-------|

| | | |
|--|-------------------------|-------|
| | 1 case / export packing | 2,000 |
|--|-------------------------|-------|

| | |
|----------------------------------|-------------|
| Export package measurements (mm) | 368×530×180 |
|----------------------------------|-------------|

Soldering Conditions

Reference for Hand Soldering

| | |
|-----------------|------------|
| Tip temperature | 350°C max. |
|-----------------|------------|

| | |
|----------------|---------|
| Soldering time | 3s max. |
|----------------|---------|

| | |
|----------------|--------|
| No. of solders | 1 time |
|----------------|--------|

Notes are common to this series/models.

1. This site catalog shows only outline specifications. When using the products, please obtain formal specifications for supply.
2. Please place purchase orders per minimum order unit (integer).
3. Products other than those listed in above products are also available. Please contact us for details.