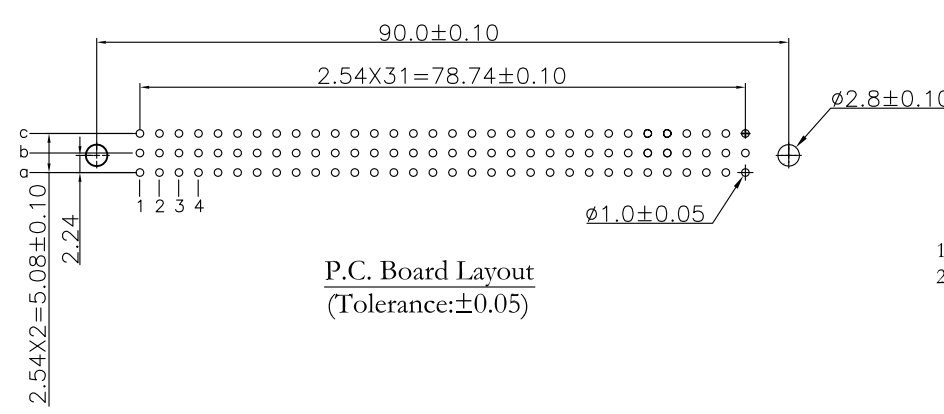
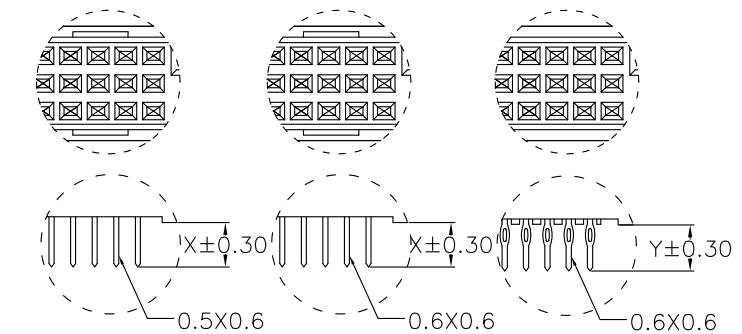
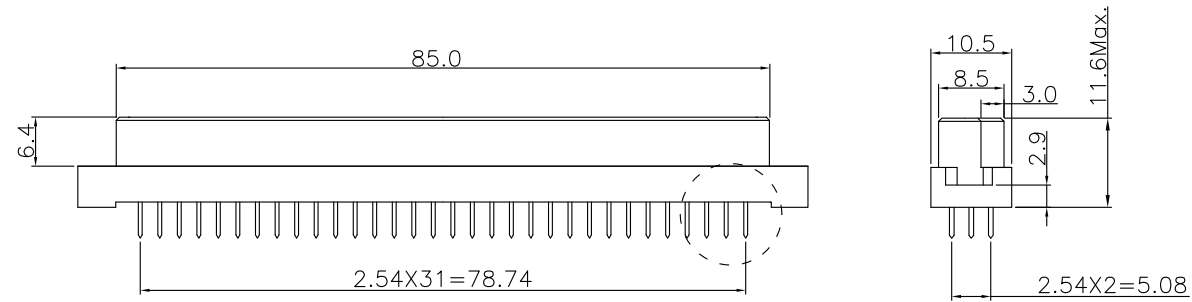
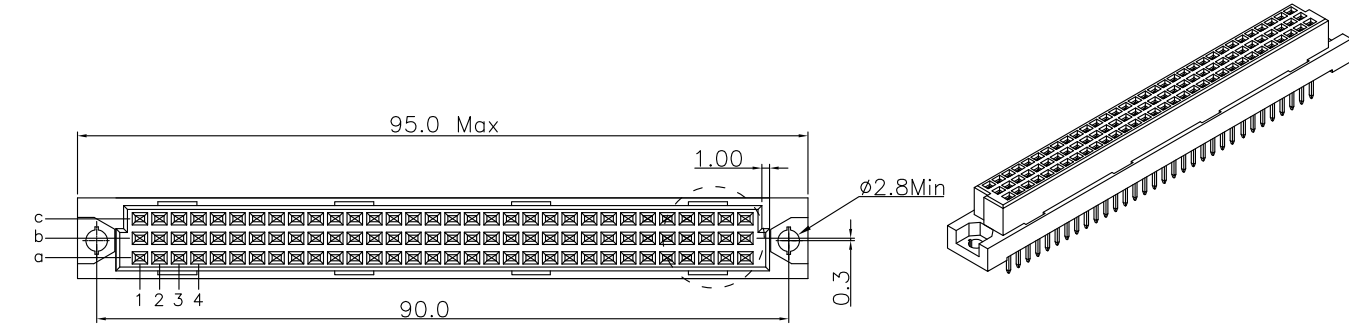


REV.	SPECIFICATION	ECN NO.	APPD.
R6		ECN200837	

Material and Plating:
Housing: PBT, UL94V-0, Beige
Contacts: Copper Alloy.
Gold Plated on Contact Area and 80u" Min Tin or Gold Flash Plated on Solder Tail or Press Fit over Nickel 50u" Min .

Electrical Characteristics:
Current Rating: 2 AMP.
Dielectric Withstanding Voltage:
AC 1000V For 1 minute.
Insulator Resistance: 1000MΩ min. at DC 500V.
Contact Resistance: 20mΩ max. at DC 100mA.
Operating Temperature: -55°C~+125°C.

***RoHS Compliant**



P.C. Board Layout
(Tolerance:±0.05)

9001- 1 2 xx x C xx x A
Series
1: 2.54mm
2: 5.08mm
Position
1: Dip Length
2: Dip Length
W1: Dip Length
W2: Dip Length
A: Tray Package
Blank: Dip
P: Press Fit
00: G/F
10: 10u"
15: 15u"
30: 30u"
C: Selective Gold Plated
G: Gold Plated

Pitch	Position	Rows with Contacts	Contact Arrange	P/N.			
				1	2	W1	W2
2.54mm	96	a b c		9001-1296xCxxxA			
	64	a - c		9001-1264xCxxxA			
	32	a - -		9001-1232xCxxxA			
5.08mm	48	a b c		9001-2248xCxxxA			
	32	a - c		9001-2232xCxxxA			
	16	a - -		9001-2216xCxxxA			

Tolerances	Dwg. No.	9001D12003	
x = ±0.5	Projection		
.x = ±0.25	Unit	mm	Scale 1:1
.xx = ±0.15	Drawn By	WQ 12/03'20	

Title:
9001 Series
DIN41612 C Type Female

OUPIN
OUPIN ELECTRONIC(KUNSHAN) CO., LTD.
P/N: 9001-1(2)2xxxCxxxA
SHEET 1/1 Ver. No. R6