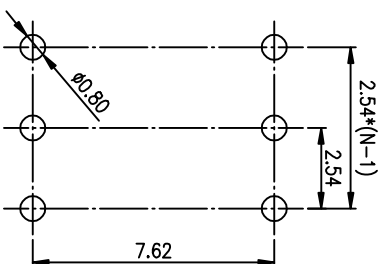
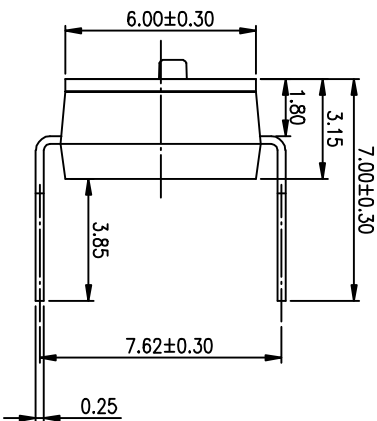
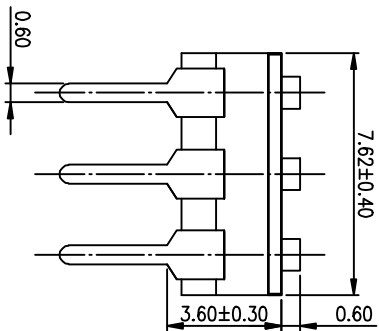
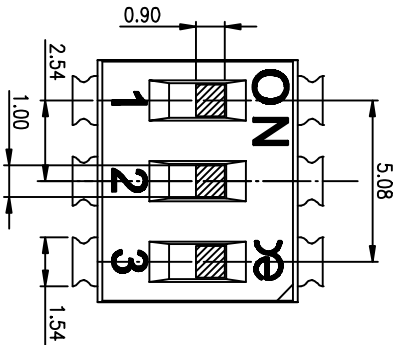
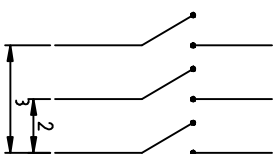


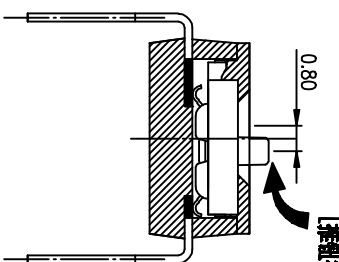
<b>PRODUCT NO.</b>	1
<b>DISCO31HGET</b>	
<b>RoHS compliant</b>	



**RECOMMENDED P.C.B. LAYOUT (TOP VIEW)**



**[Schematic]**

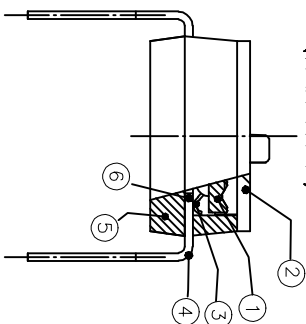


**[推板行程]**

- NOTES :**
1. Specification:
- 1> Operating force: 1000gf Max
  - 2> Operating Temperature: -40° to +85°
  - 3> Storage Temperature: -40° to +85°
  - 4> Mechanical Life: 3000cycles minimum
  - 5> Electrical Life: 2000cycles 25mA 24VDC
2. PLATING:
- GOLD FLASH 1u"(min.) SOLDER TAIL,  
3u" GOLD PLATING ON THE CONTACT AREA,  
WITH 50u" NICKEL UNDERPLATING OVERALL.

**3. PART NUMBER DESCRIPTION**

- DISC XX L H G E T
- [包装方式: T=管装 R=盒装]
  - [电镀层: B=镀镍3u" G=镀镍3u" / 厚镍3u"-2u"]
  - [G=鍍金 S=內金外鍍]
  - [脚型: S脚 / J脚 / 0脚 / A脚 / Z脚]
  - [T=低推板度 S=低推不板度 L=长推]
  - [产品规格: 01=1P 02=2P 03=3P ..... 12=12P]



**(Construction)**

Number	Part Name	Material	Finished
①	Actuator	UL94 V0	White
②	Cover	UL94 V0	Black
③	Movable	Copper Alloy	3u"Gold
④	Terminal	Brass	1u"Gold
⑤	Base	UL94 V0	Black
⑥	Terminal Contact	Brass	3u"Gold

TOLERANCE UNLESS OTHERWISE SPECIFIED		INSPECTION	
LINER	ANGLES	COPY	PROJECTION
0 ± 0.25	0. ± 2'		
.00 ± 0.15	.0 ± 1'		
.000± 0.10	.00± 0.5'		
DESIGN	kathy	2012/04/12	
DRAWING			
CHECK			
APPRO.			

**KE 东莞市 睿家实业有限公司**  
Dongguan Kingtek Industrial Co., Ltd.

**TITLE**  
BY DISC SERIES PITCH 2.54mm  
**PRODUCT FAMILY** DISC SERIES  
**PRAT NO.** DISCO31HGET  
**FILE NO.** DISCO31HGET-A  
**SIZE** UNIT SCALE SHEET REV.  
A4 mm 2 : 1 1OF 1 A