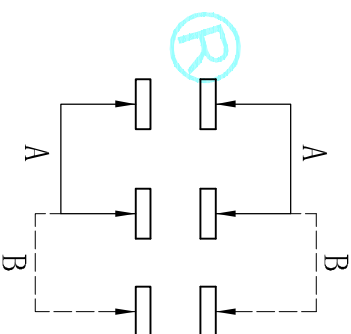


PCB Layout (Pattern side)

Circuit Diagram



PART NO.	L	Operating force
K3-1280S-F2	2	200±100gf
K3-1280S-K2	3	
K3-1280S-L2	4	

ITEM	PART NAME	TER'NO.	QTY.	MATERIAL	FINISHING	REMARK
⑤	Contact Spring	—	2	Beryllium copper	Ag Plated	—
④	Terminal	—	3	Brass Strip	Ag Plated	—
③	Base	—	1	NYLON	Black	—
②	Cover	—	1	SUS	Natural	—
①	KNOB	—	1	NYLON	White	—

APPROVALS		DATE
DRAWN	J.X.Zhang	2013/9/26

APPROVALS		TITLE:	PART NO.	
CHECKED		TOGGLE SWITCHES		
APPROVALS				
TOLERANCES ARE		SCALE: 1:1	PROJ:	SHEET 1 OF 1
30~0.1±	±0.30			
10~0.30	±0.20			
5~10	±0.15			
~5	±0.10			
CHANGE.	CHECK.	APPRO.	DESCRIPTION: NEW	
ECN NO.	REV.	DATE.		



ELECTRONICS CO., LTD