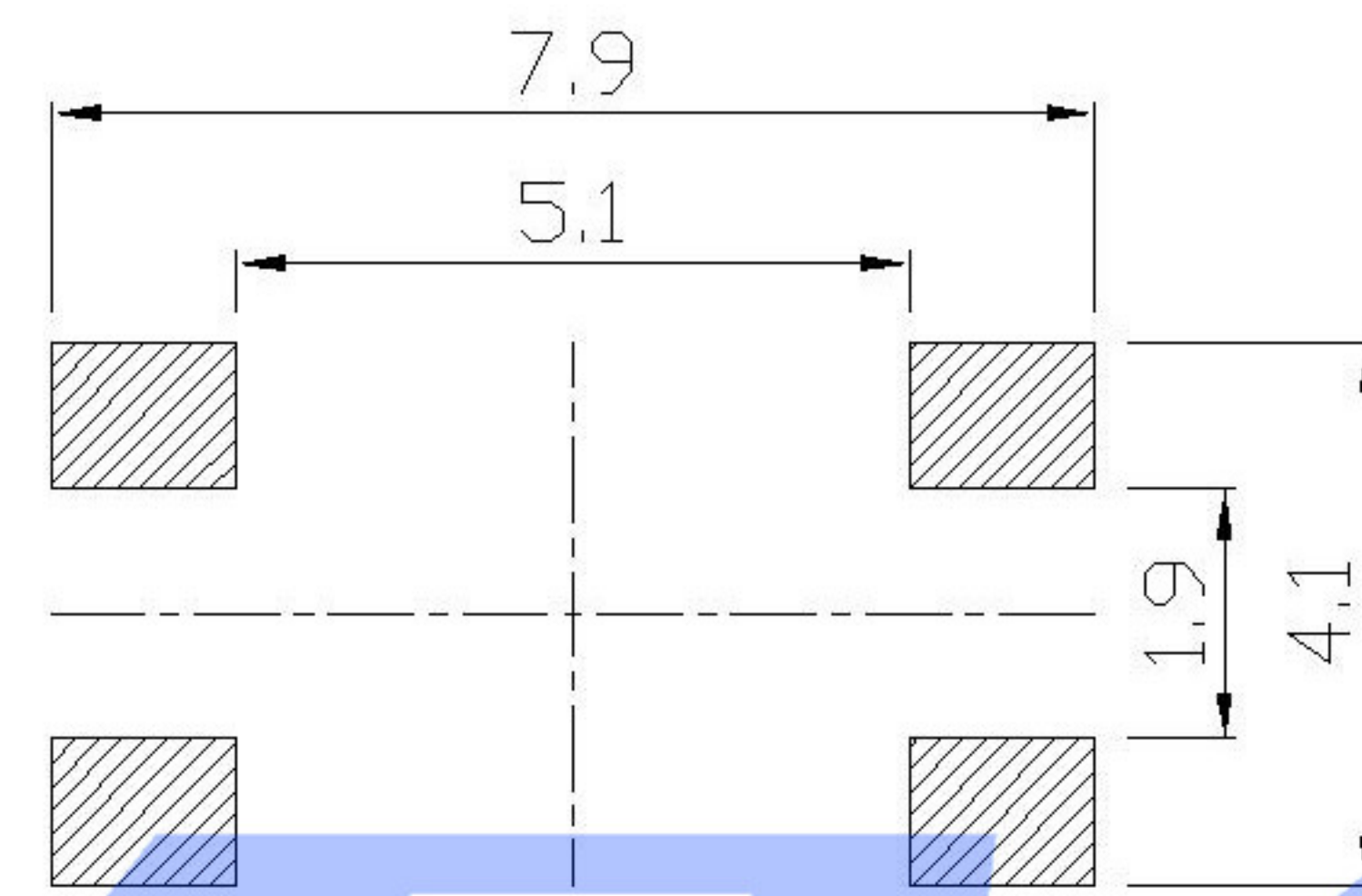
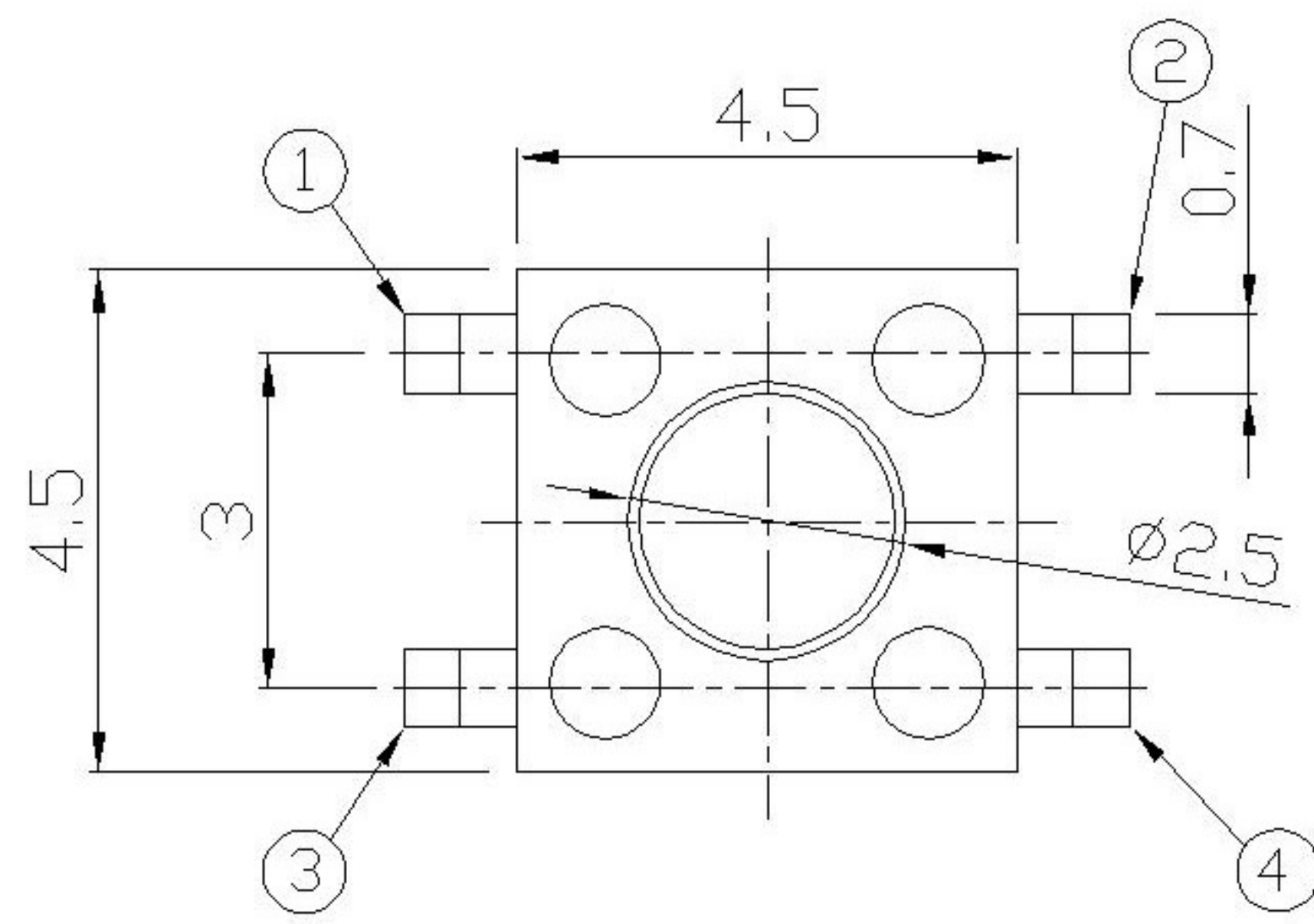
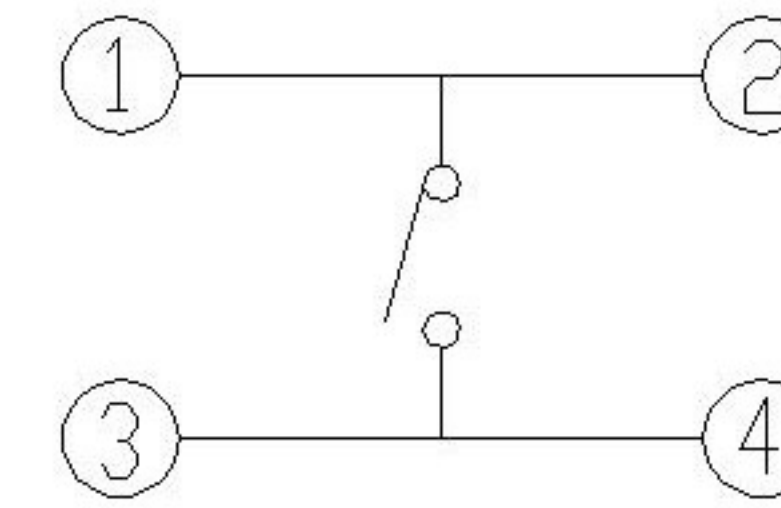


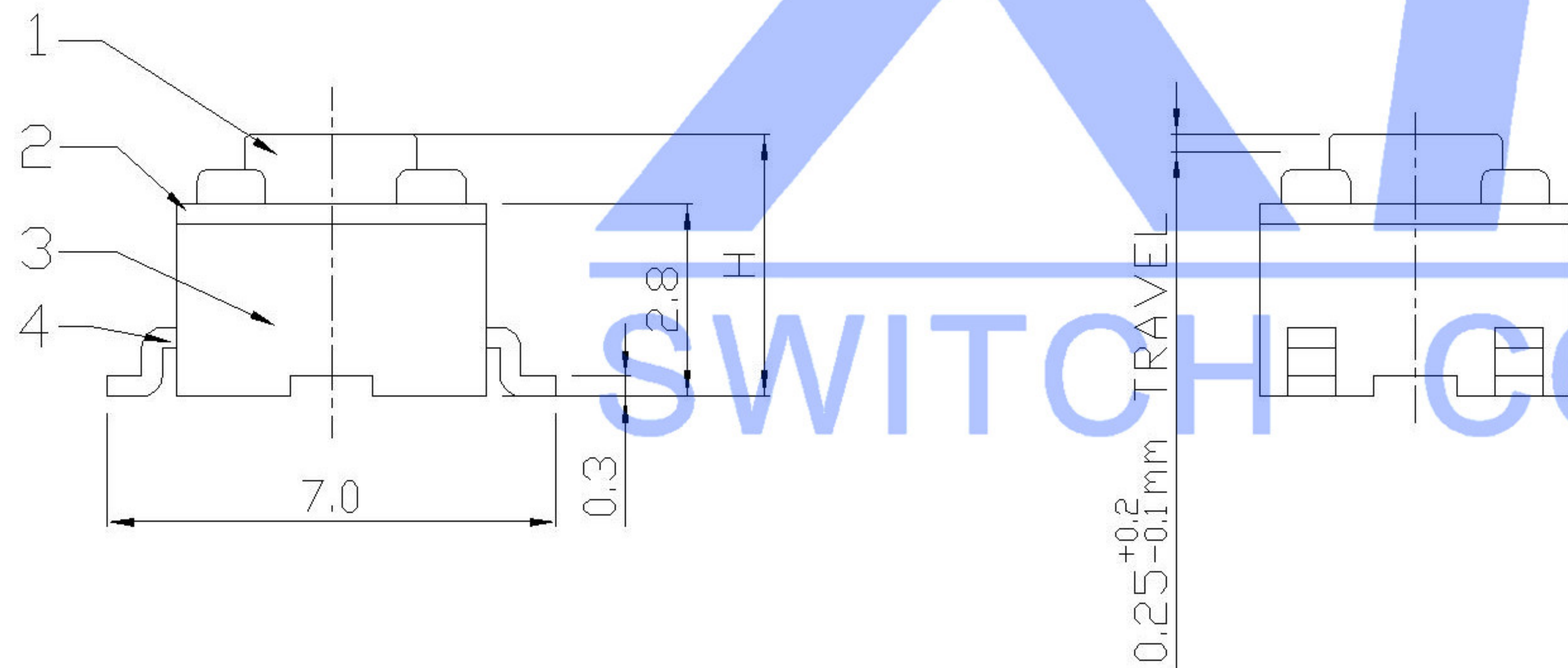
P.C.B MOUNTING PATTERN DIMENSION



CIRCUIT DIAGRAM



| Code-X | H |
|--------|-----|
| A | 3.8 |
| B | 4.3 |
| C | 4.5 |
| D | 5.0 |
| E | 5.5 |
| F | 6.0 |
| G | 6.5 |
| H | 7.0 |
| I | 7.5 |
| J | 8.0 |
| K | 8.5 |
| L | 9.0 |



SPECIFICATION

| | |
|-----------------------|--------------------|
| Contact Rating | 50mA 12V DC |
| Contact Resistance | 100mΩ max. |
| Insulation Resistance | 100MΩ min. 500V DC |
| Dielectric Strength | 250V AC/1 minute |
| Travel | 0.25mm |
| Operating Temp. | -25°C ~ +70°C |
| Storage Temp. | -30°C ~ +80°C |

| | |
|-----------------|----------------------------|
| PAPT NO | TS-1109S-X-X |
| Operating Force | A: 100gf B: 160gf C: 260gf |
| Height | Code-X |

| ITEM | PAPT NAMF | TER.NO | QTY | MATERIAL | FINISHING | REMARK |
|------|-----------|--------|-----|---------------|------------|--------|
| ⑤ | Terminal | — | 4 | Brass (0.30t) | ag Plated | — |
| ④ | Contact | — | 1 | F.ag/SUS | — | — |
| ③ | Base | — | 1 | PA46 | — | — |
| ② | Cover | — | 1 | Brass | Tin plated | — |
| ① | Keystake | — | 1 | PA46 | — | — |

| MARK | DESCRIPTION | DATE | REVISED | APPROVED | UNSPECIFIED TOLERANCES |
|------|-------------|------|---------|----------|------------------------|
| ΔX | | | | | units: mm |
| ΔX | | | | | tolerance: X.X ±0.2mm |
| ΔX | | | | | X.XX ±0.1mm |
| MARK | | | | | X.XXX ±0.05mm |

| | | | |
|--------------------------------------|------|------------|-----------------------------------|
| DSND | DATE | SCALE: N/A | MODEL TYPE: TACT SWITCH |
| DWN | DATE | VIEW: | PART NO.: |
| CHKD | DATE | UNIT: mm | DWG NO.: |
| APPD | DATE | SIZE: A4 | TS-1109S-X-X |
| XKB INDUSTRIAL PRECISION CO.,LIMITED | | | WEIGHT: 1.0g |
| | | | SHEET: 1/1 |
| | | | REVISION: A0 |