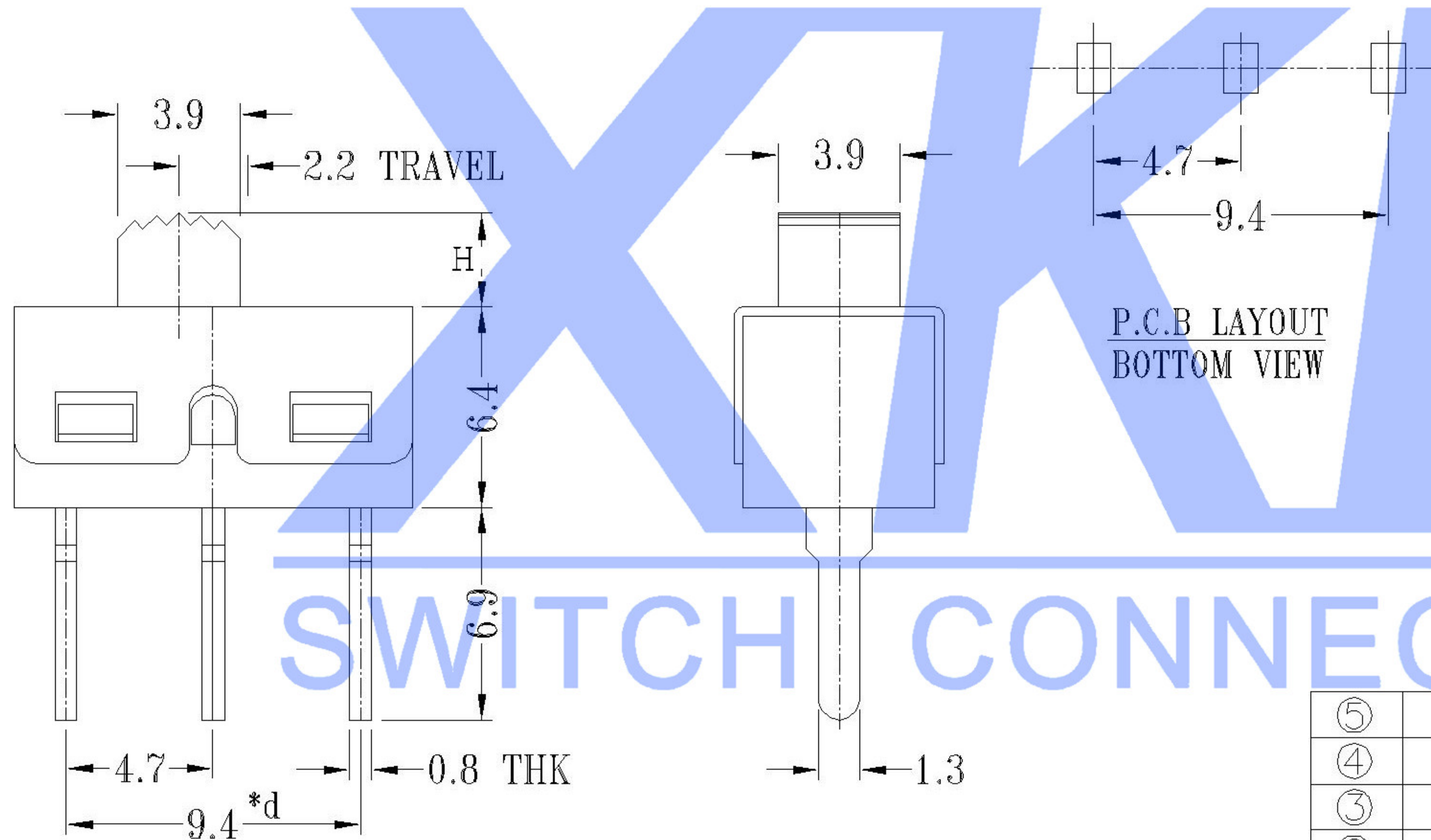


SCHEMATIC (NON-SHORTING)

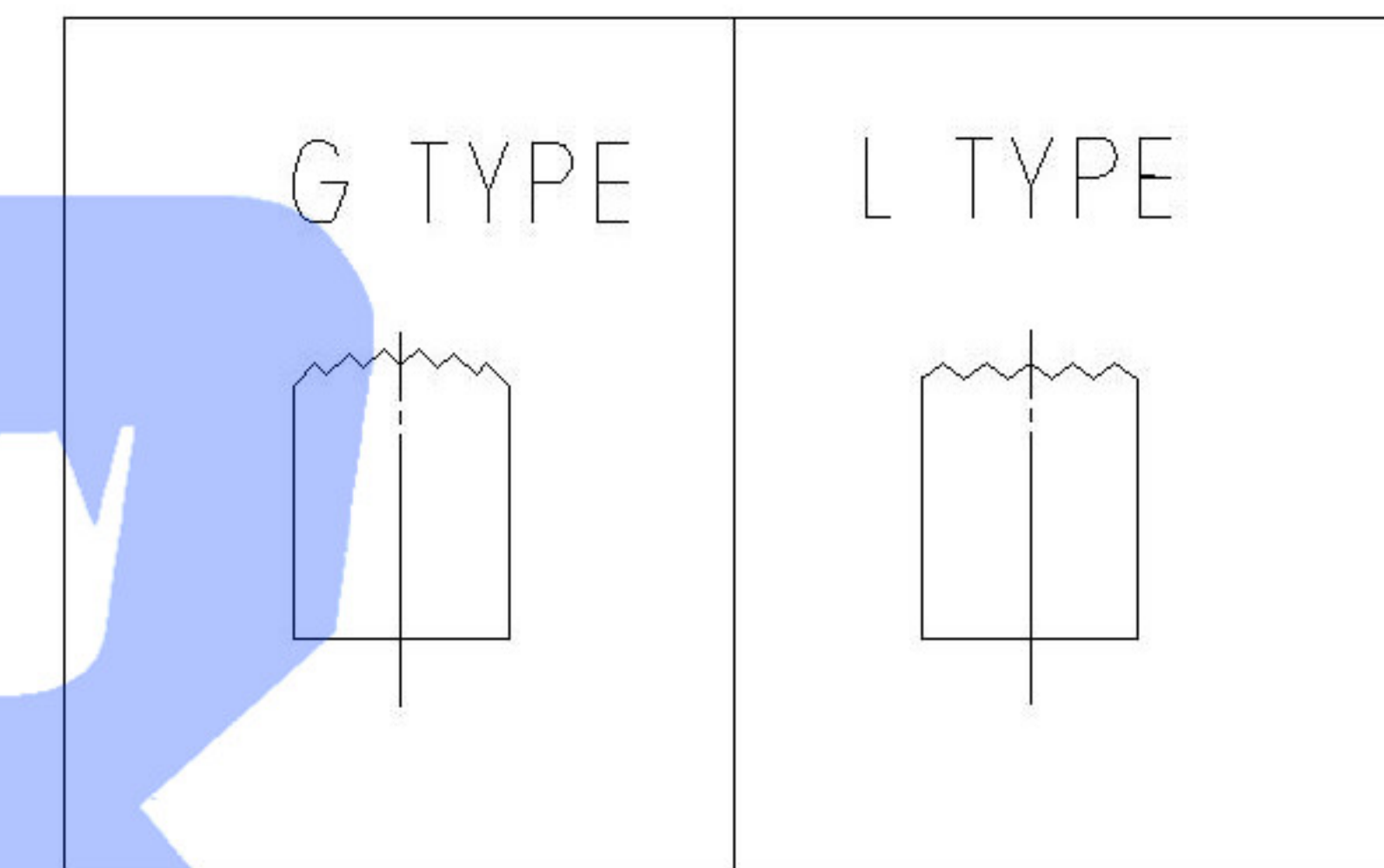
MODEL CODE

SS-12D10-X-X-X

Knob Type	H (mm)	Colour
L	2 ~ 12	B:Black
G		R:Red



P.C.B LAYOUT
BOTTOM VIEW



Typical Specifications

1. Rating : AC 120V 5A
2. Insulation Resistance: 1,000M min
3. Dielectric Strength: 1,500V RMS
4. Operating Life : 30,000 cycles

⑤	Terminal	—	3	Copper	Plating silver	—
④	Contact	—	1	F.Ag/C5210	—	—
③	Base	—	1	PA	Black/RED	—
②	Cover	—	1	SPCC	Plating Sn	—
①	Keystoke	—	1	PA	Black	—
ITEM	PART NAME	TER'NO.	QTY.	MATERIAL	FINISHING	REMARK

ΔX					ANGLAR	±5°
ΔX					L ≤ 4	±0.2
ΔX					4 < L ≤ 16	±0.3
MARK	DESCRIPTION	DATE	REVISED	APPROVED	16 < L ≤ 63	±0.4
					L > 63	±0.5
REVISIONS					UNSPECIFIED TOLERANCES	
www.xk-dg.cn www.1k0k.com www.1k0k.cn						

DSND		DATE		SCALE: N/A	MODEL TYPE: SLIDE SWITCH
DWN		DATE		VIEW:	PART NO.:
CHKD		DATE		UNIT: mm	DWG NO.:
APPD		DATE		SIZE: A4	SS-12D10-XX-X
XKB INDUSTRIAL PRECISION CO., LIMITED				WEIGHT	SHEET
				1.0g	1/1
					REVISION
					A0