



**LTEM NO.: SNO-1304** (Consumer Electronics)

(12.3L × 10.0W × 1.35H & NANO-SIM Sockets)

## MEMORY-CARD-SOCKETS



### Technical parameter

表面贴装 SMT

| PROJECT                      | LEVEL                      | A[better product]           |              | B[average product]   |              |
|------------------------------|----------------------------|-----------------------------|--------------|----------------------|--------------|
|                              |                            | A[better product]           |              | B[average product]   |              |
| <b>Electrical Properties</b> | Contact Rating             | 50mA, 24V DC                |              |                      |              |
|                              | Initial Contact Resistance | 50mΩ max.                   |              | 80mΩ max.            |              |
|                              | Insulation Resistance      | 100MΩ min. 500V DC          |              |                      |              |
|                              | Withstand Voltage          | 500V AC for 1 minute        |              | 350 V AC for 1 minut |              |
|                              | <b>Durable Performance</b> | There No Load               | 5,000 Cycles |                      | 3,500 Cycles |
| Rated Load                   |                            | 3,500 Cycles                |              | 2,500 Cycles         |              |
| Storage temp.                |                            | -35℃~+75℃(Operating Temp: ) |              |                      |              |

側向操作 LATERAL

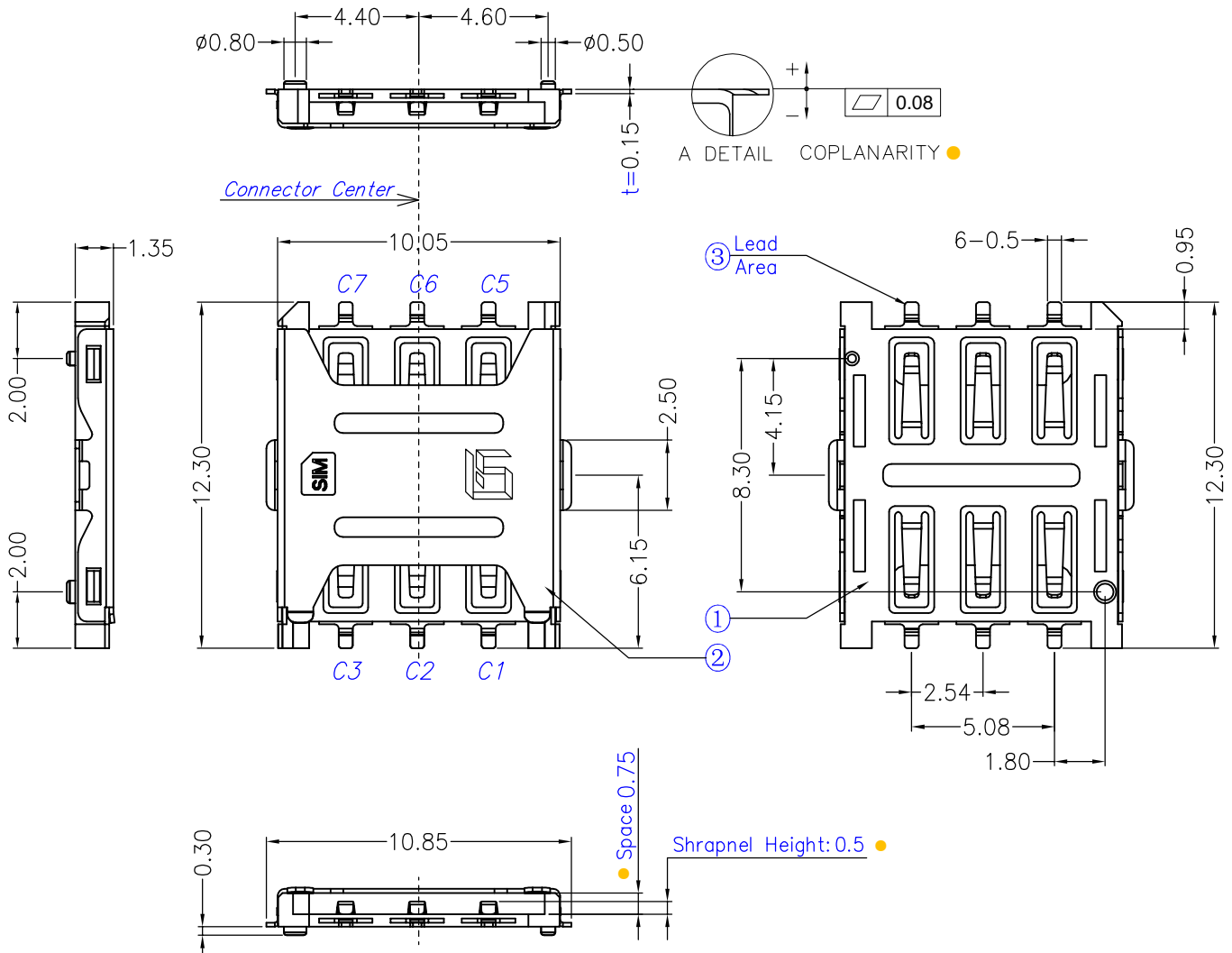
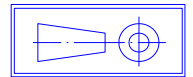
精密部品 NICETY

可靠 STABILIZE

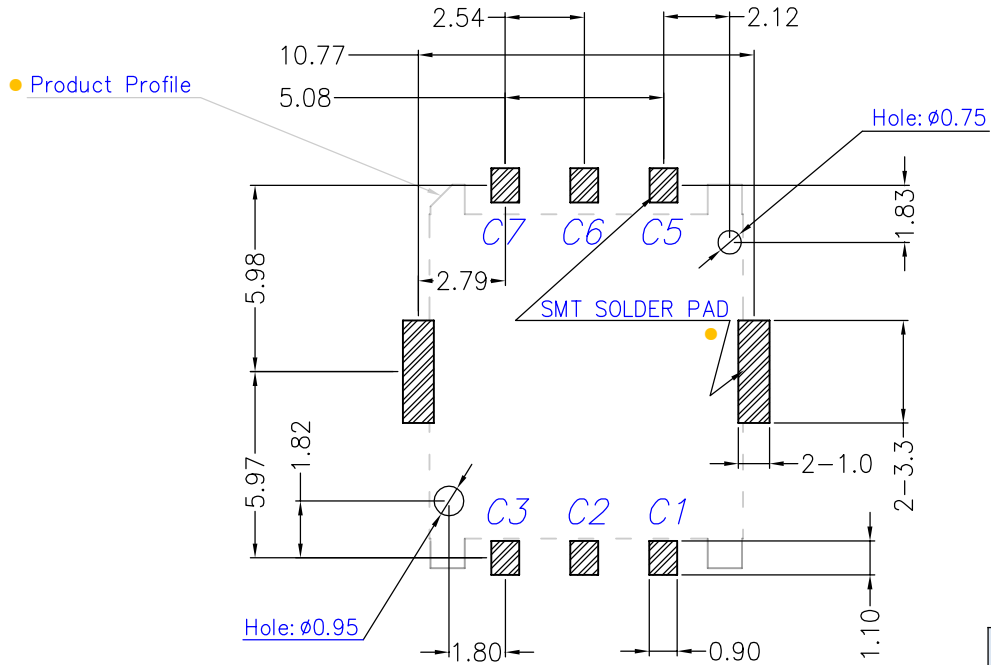
適合環保 RoHS

Page1

Unit:mm



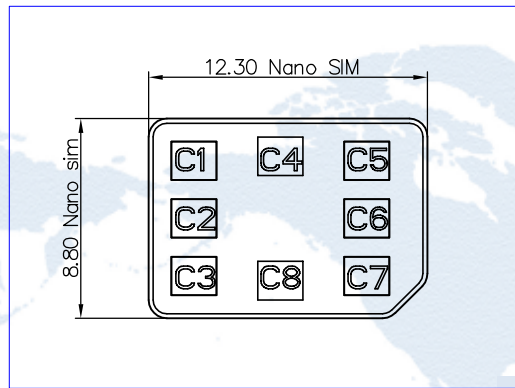
|                        |         |                               |                              |                     |
|------------------------|---------|-------------------------------|------------------------------|---------------------|
| <b>Operating Force</b> | Inward  | 2.0~4.0N. (1N.=100gram-force) | <b>Solder-ability (Max.)</b> |                     |
|                        | Exiting | 3.0~5.0N. (1N.=100gram-force) | IR Reflow:255°C, 5sec.       | Manual:350°C, 3sec. |



| DECIMALS    | ANGLES      |
|-------------|-------------|
| .X :±0.20   | X.° :±1.5°  |
| .XX :±0.10  | X.X° :±1.0° |
| .XXX :±0.05 | XXX° :±0.5° |

Pin definition

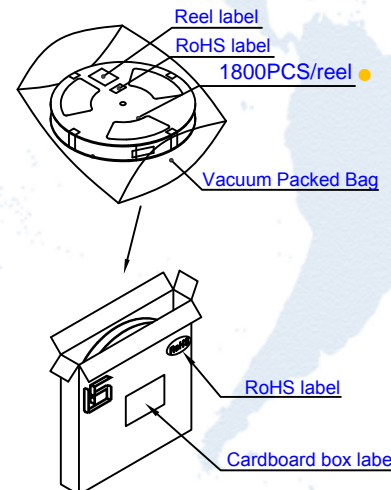
| SIM CARD |          |      |             |
|----------|----------|------|-------------|
| Pin No.  | Pin NAME | Type | Description |
| C ①      | 卡電源      | 1    | VCC         |
| C ②      | 復位       | 1    | RST         |
| C ③      | 時鐘       | 1    | CLK         |
| C ⑤      | 接地       | 1    | GND         |
| C ⑥      | Vpp      | 1    | VPP         |
| C ⑦      | 輸入/輸出    | 1    | I/O         |



NANO-SIM

Material declaration

|   | NAME          | MATERIAL                                | PLATING |
|---|---------------|---|---------|
| ① | 基座 Housing    | LCP 耐热塑胶 (UL94V-0) BLACK                | SET     |
| ② | 接触端子 Terminal | C5210-EH (t=0.20mm)磷铜【镍基 Ni50u” 镀金 1u”】 | G/F     |
| ③ | 上盖 Cover      | SUS304-H(t=0.15mm)不锈钢【GND 焊点镀金 1u”】     | AU/Ni   |



注記 NOTICE

1. 碩方公司擁有最終解釋權; The SOFNG company reserves the right of final interpretation;
2. 文件禁止外洩、轉載; Leaked and reproduced prohibited;
3. 未經授權修改無效。Modify is invalid.