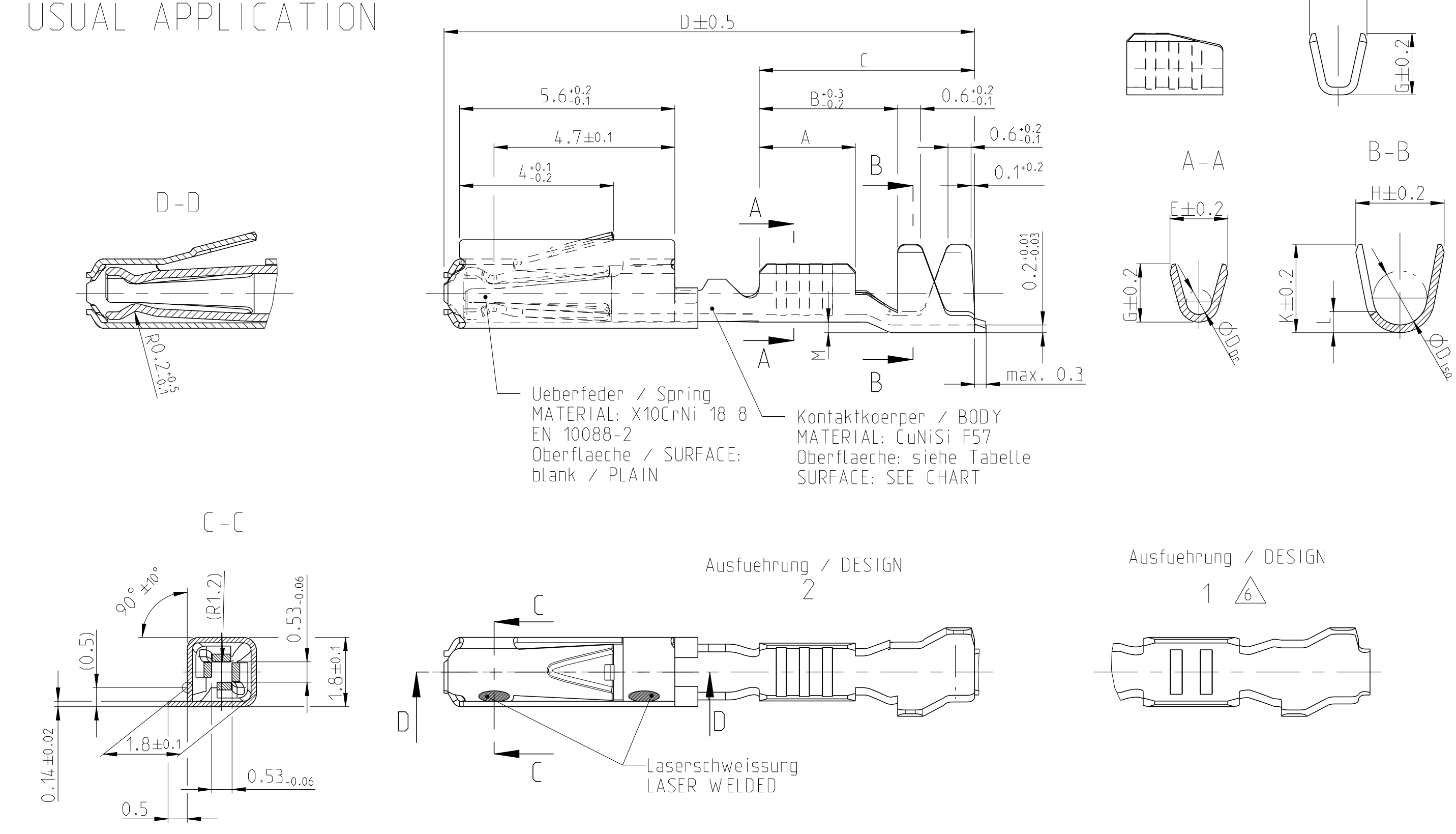
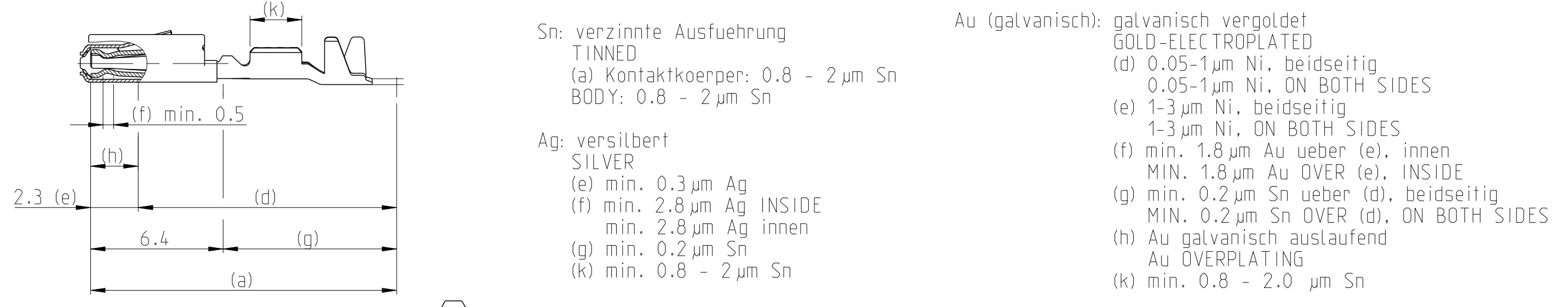


Normale Anwendung USUAL APPLICATION

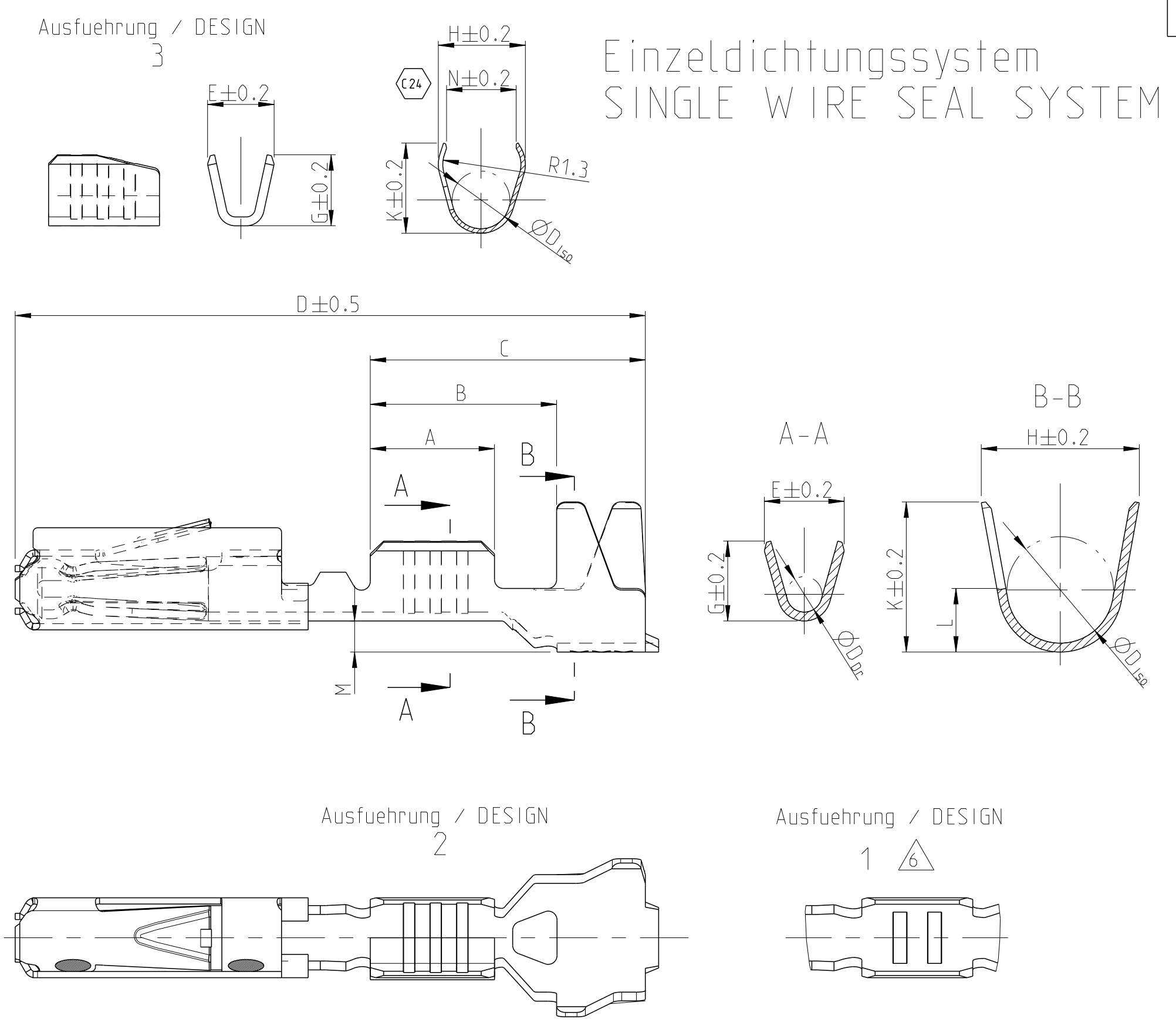


Oberflaeche / FINISH



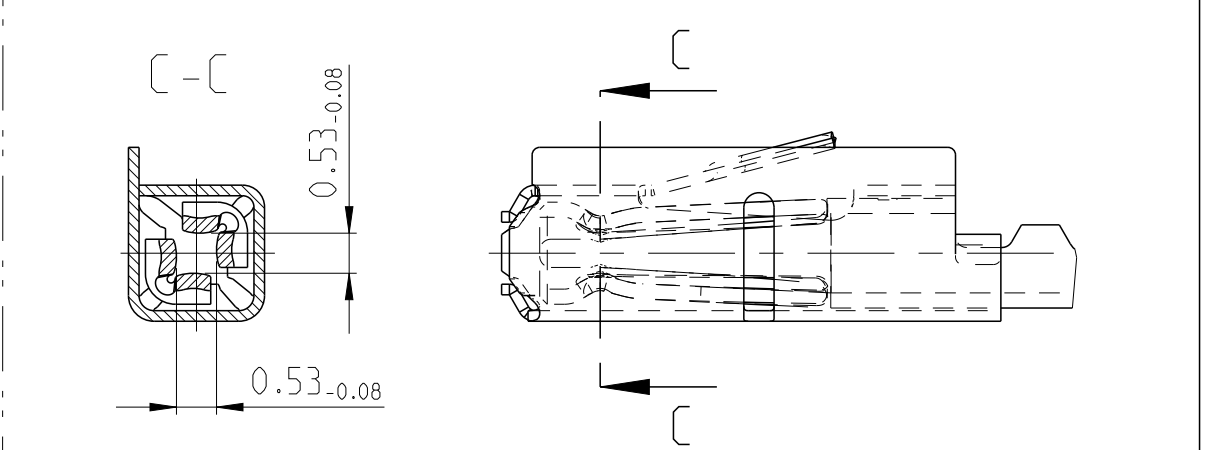
Ausfuehrung / DESIGN 3

Einzeldichtungssystem SINGLE WIRE SEAL SYSTEM

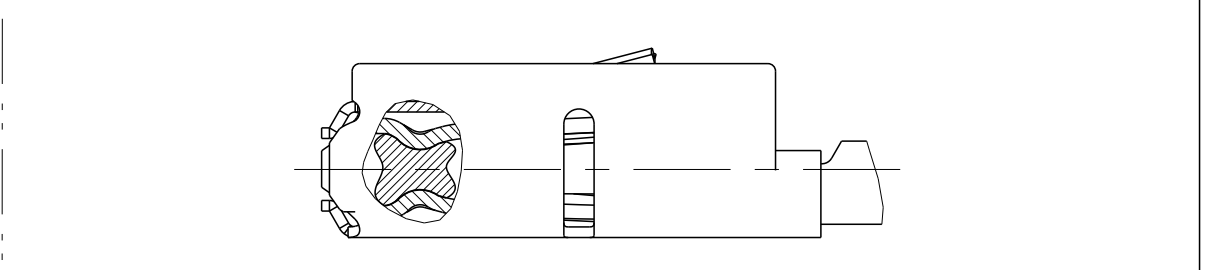


LOC	DIST	REV	DESCRIPTION	DATE	OWN	APVD
A1	-	-	-	-	-	-
C21			NOTE 7 moved to right position 0.13/0.17	09JAN2019	MAH.	BRUN
C22			Tolerance changed to +/-0.1; surface corrected	10JAN2019	MAH.	BERG
C23			Definition of measurement point f. contact height	30APR2019	FRAN	BERG
C24			See PLN E-19-011079	09DEC2019	MAH.	BERG

versilberte/vergoldete Ausfuehrung SILVER/GOLD VERSION



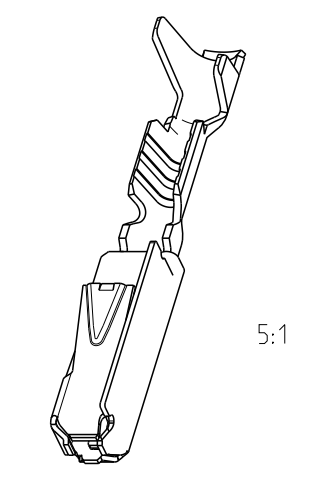
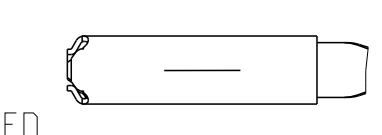
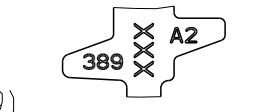
GEL VERSION



Bemerkungen

- Datumscode (Woche/Jahr z.B. KW 38/Jahr2009) und TE-Revision (z.B. Rev.A) DATE CODE (WEEK/YEAR E.G. WEEK NUMBER 38/YEAR2009) AND TE REVISION (E.G. REV. A)
- Passend zu Stiftkontakt siehe Zeichnung 929453 SUITABLE FOR PIN CONTACT SEE DRAWING 929453
- Einzelheiten der Ausfuehrung bleiben dem Hersteller ueberlassen DETAILS OF DESIGN ARE LEFT TO MANUFACTURER
- Nur fuer FLR-Leitung nach DIN 72551 Teil 6 FOR FLR-CONDUCTOR ACCORDING TO DIN 72551-6 ONLY
-
- nicht fuer Neuanwendung NOT FOR NEW APPLICATION
- zugverstaerkte Leitung nach LV 112-4 REINFORCED WIRE ACCORDING LV 112-4
- Bei doppelt fallenden Werkzeugen wird die erste Ueberfeder mit einer Kennzeichnung "-" versehen WITH DOUBLE OUT DIES THE FIRST SPRING WILL BE PROVIDED WITH AN INDICATION "-"
- Varianten von Design1 werden durch die entsprechenden Versionen von Design2 ersetzt VARIANTS OF DESIGN1 ARE SUPERSEDED BY CORRESPONDING VERSIONS OF DESIGN2

Bestell-Nr. Ausfuehrung ORDER NO. DESIGN 2	Bestell-Nr. Ausfuehrung ORDER NO. DESIGN 3	Rev.	Bestell-Nr. Ausfuehrung ORDER NO. DESIGN 1	Rev.	VERSION	DGB Wire Size Range mm ²	Oberflaeche SURFACE	Laenge LENGTH mm	Drahtcrimp WIRE CRIMP mm	Iso-crimp INSU-CRIMP mm	Gewicht WEIGHT g	Vergarbitung Spez. APPLICATION SPEC.	DGB Wire Size Range mm ²	Isolations Ø INSULATIN DIA. mm	fuer Kammer Ø3.45 FOR CAVITY DIA. 3.45 mm	Blindstopfen RUBBER PLUG	fuer Kammer Ø4 FOR CAVITY DIA. 4 mm	Blindstopfen RUBBER PLUG	zugehoerige Einzeldichtung / SUITABLE SINGLE WIRE SEAL				
6-965906-5		E	1-965906-5	D	Einzeldichtungssystem SINGLE WIRE SEAL SYSTEM	0.50-0.75	Au-Gel	A = 2.8 B = 4.2 C = 6.2 D = 14.3 M = 0.7	E = 2 G = 2.1 D _{Dr} = 1	H = 3.5 K = 3.4 L = 1.5 D ₁₅₀ = 2.4	0.13	114-18025	0.75	1.4-1.9	967067-1 gruen GREEN	967056-1 blau / BLUE	963142-1 schwarz BLACK	967056-1 blau / BLUE					
5-965906-6		D	965906-6	C			Ag	A = 2.5 B = 3.9 C = 5.9 D = 14 M = 0.7	E = 1.8 G = 1.8 D _{Dr} = 0.8	H = 3.5 K = 3.4 L = 1.5 D ₁₅₀ = 2.4										0.35	0.9-1.4	967067-2 gelb YELLOW	963142-2 grau GREY
5-965906-5		E	965906-5	D			Au	A = 2.5 B = 4.3 C = 6.2 D = 13.7 M = 0.6	E = 1.5 G = 1.4	H = 4 K = 4.1 N = 3.1 D ₁₅₀ = 2.6										0.13	0.85-1.25	967067-2 gelb YELLOW	963142-2 grau GREY
5-965906-1		D	965906-1	C			Sn													0.17			
5-962885-6		J	962885-6	H	normale Anwendung USUAL APPLICATION	0.50-0.75	Au-Gel	A = 2.8 B = 3.8 C = 5.6 D = 13.7 M = 0.2	E = 2 G = 2.1 D _{Dr} = 1	H = 2.7 K = 2.9 L = 0.7 D ₁₅₀ = 1.6	0.11	114-18021	0.11										
5-962885-5		K	962885-5	J			Ag	A = 2.5 B = 3.6 C = 5.6 D = 13.7 M = 0.2	E = 1.8 G = 1.8 D _{Dr} = 0.8	H = 2.3 K = 2.3 L = 0.6 D ₁₅₀ = 1.4										0.25-0.35			
5-962885-1		J	962885-1	H			Au																
2141826-6		A					Sn																
2141826-5		A			normale Anwendung USUAL APPLICATION	0.13 / 0.17	Ag	A = 2.5 B = 3.7 C = 5.4 D = 13.7 M = 0	E = 1.5 G = 1.4	H = 2 K = 1.9 D ₁₅₀ = 1.1	0.1	114-18021	0.1	0.85-1.25	967067-2 gelb YELLOW	967056-1 blau / BLUE	963142-2 grau GREY	967056-1 blau / BLUE					
2141826-1		A					Au																
6-963715-5		K	1-963715-5	J			Ag																
5-963715-6		J	963715-6	H			Sn																
5-963715-5		K	963715-5	J	normale Anwendung USUAL APPLICATION	0.50-0.75	Au-Gel	A = 2.8 B = 3.8 C = 5.6 D = 13.7 M = 0.2	E = 2 G = 2.1 D _{Dr} = 1	H = 2.7 K = 2.9 L = 0.7 D ₁₅₀ = 1.6	0.11	114-18021	0.11										
5-963715-5		J	963715-1	H			Ag																
6-928999-5		T	1-928999-5	S			Au																
5-928999-6		S	928999-6	R			Sn																
5-928999-5		T	928999-5	S	normale Anwendung USUAL APPLICATION	0.25-0.35	Ag	A = 2.5 B = 3.6 C = 5.6 D = 13.7 M = 0.2	E = 1.8 G = 1.8 D _{Dr} = 0.8	H = 2.3 K = 2.3 L = 0.6 D ₁₅₀ = 1.4	0.11	114-18021	0.11										
5-928999-1		S	928999-1	R			Au																
2141824-6		A					Sn																
2141824-5		A					Ag																
2141824-1		A			normale Anwendung USUAL APPLICATION	0.13 / 0.17	Ag	A = 2.5 B = 3.7 C = 5.4 D = 13.7 M = 0	E = 1.5 G = 1.4	H = 2 K = 1.9 D ₁₅₀ = 1.1	0.1	114-18021	0.1	0.85-1.25	967067-2 gelb YELLOW	967056-1 blau / BLUE	963142-2 grau GREY	967056-1 blau / BLUE					
1355717-6		A					Au																
1355717-5		C					Sn																
1355717-1		C					Ag																



THIS DRAWING IS A CONTROLLED DOCUMENT.		OWN S. Garcia 05JAN1999	TE Connectivity	
DIMENSIONS: mm		CHK M. Jetter 05JAN1999	NAME MQS	
TOLERANCES UNLESS OTHERWISE SPECIFIED: ±0.2		APVD M. Bleicher 13AUG2003	PRODUCT SPEC	
MATERIAL: -		114-18030	APPLICATION SPEC	
FINISH: -		114-18021 / 114-18025	RESTRICTED TO	
CUSTOMER DRAWING		WEIGHT: -	SCALE 10:1	SHEET 1 of 1
REV. C.24		100779	REV. C.24	