

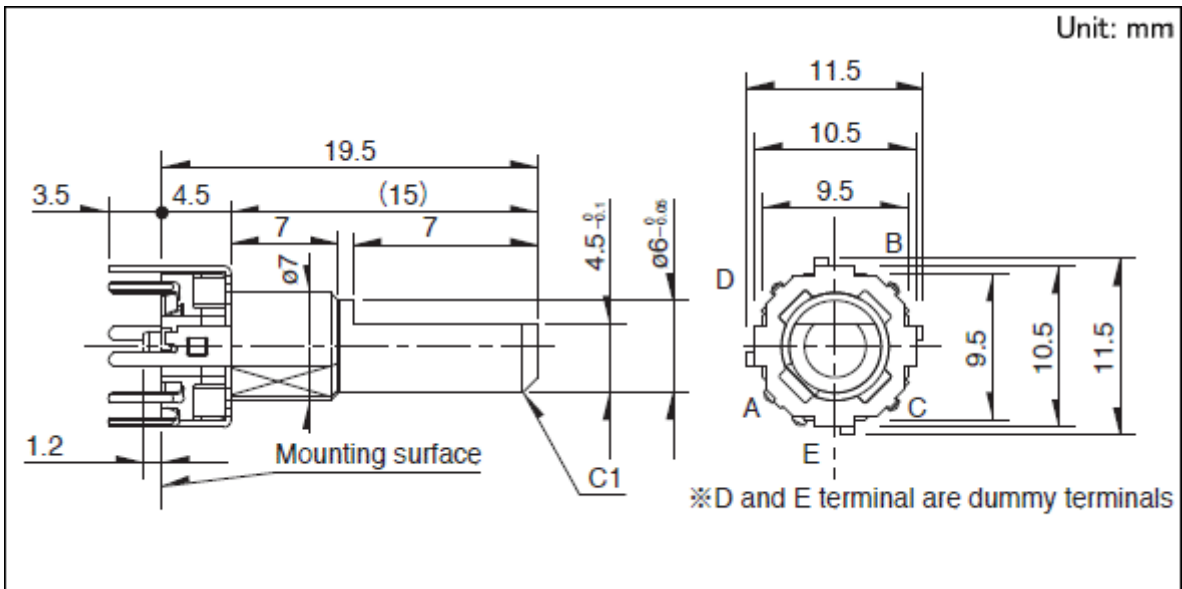
9mm Size Metal Shaft Type EC09E Series

Part number	EC09E1520406	
Actuator configuration	Flat	
Actuator length	15mm	
Number of detent	30	
Number of pulse	15	
Operating direction	Vertical	
Push-on switch	Without	
Operating temperature range	-40°C to +85°C	
Electrical performance	Ratings	10mA 5V DC
	Output signal	Two phase A and B
	Max./min. operating current(Resistive load)	10mA/1mA
	Insulation resistance	100MΩ min. 250V DC
	Voltage proof	300V AC for 1 minute or 360V AC for 1s
Mechanical performance	Detent torque	8±5mN·m
	Push-pull strength	100N
Durability	Operating life	15,000 cycles
Minimum order unit (pcs.)	Japan	700
	Export	1,400

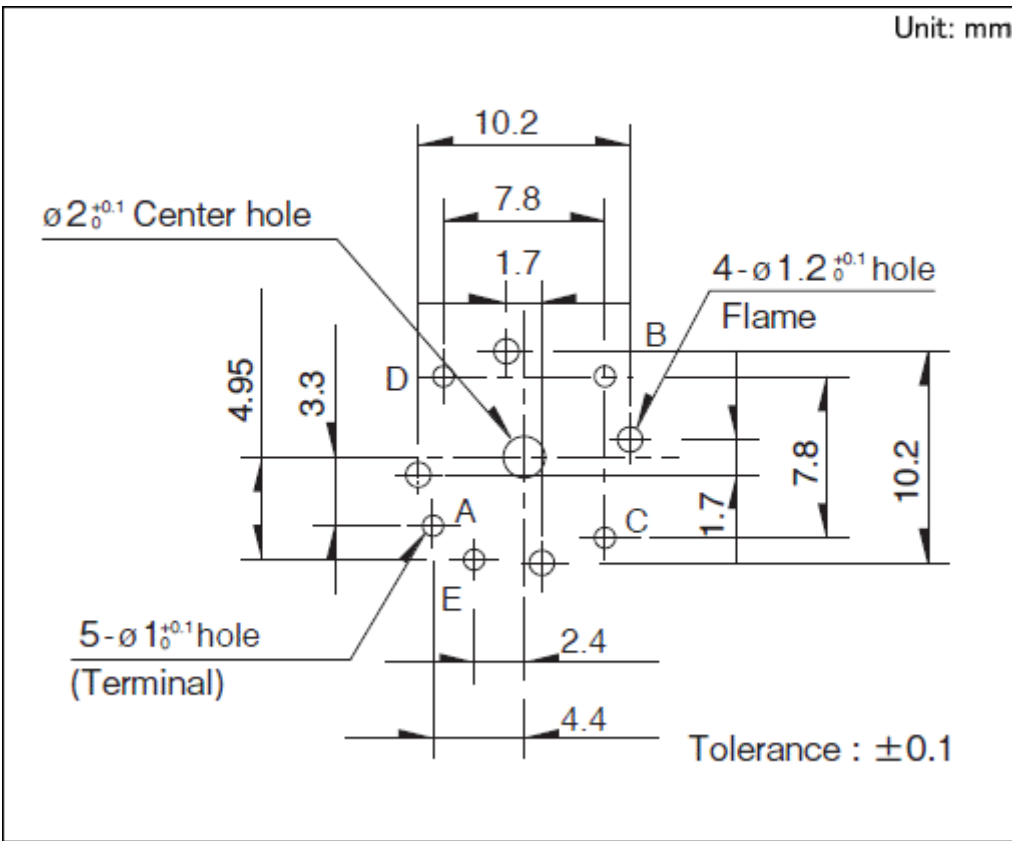
Photo



Dimensions

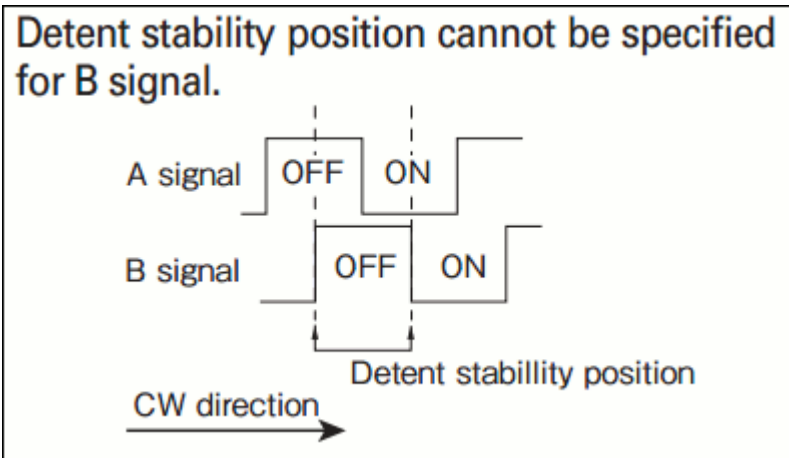


Mounting Hole Dimensions

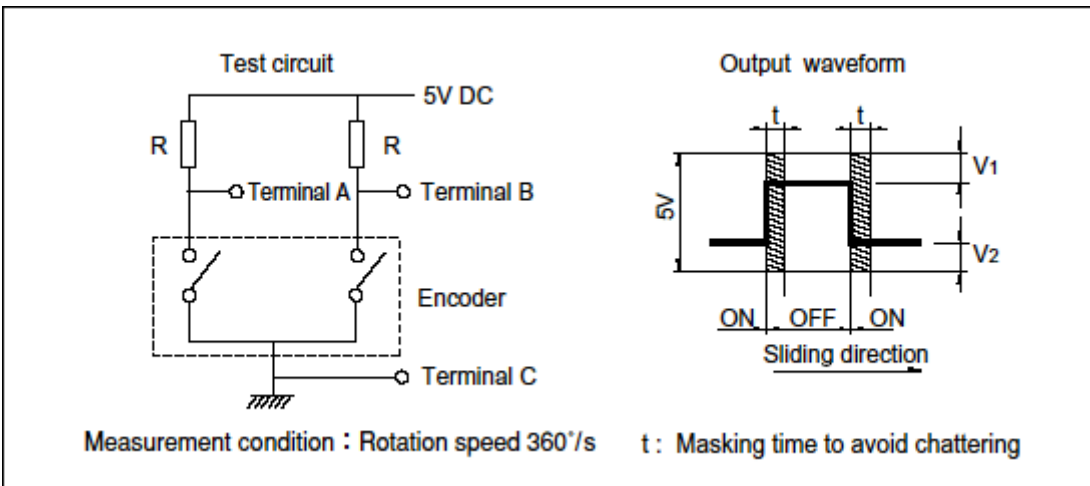


Viewed from mounting face.

Output Wave



Sliding Noise



V1=V2=2.5V max.

At R=5kΩ Chattering: 5ms max. Bounce: 2ms max.

Packing Specifications

Tray

Number of packages (pcs.)	1 case / Japan	700
	1 case / export packing	1,400

Export package measurements (mm)	374×529×213
----------------------------------	-------------

Soldering Conditions

Reference for Dip Soldering

Preheating	Soldering surfacetemperature	100°C max.
	Heating time	2 min. max.
Dip soldering	Soldering temperature	260±5°C
	Soldering time	5±1s
No. of solders		2 time max.

Reference for Hand Soldering

Tip temperature	350°C max.
Soldering time	3s max.
No. of solders	1 time

Notes are common to this series/models.

1. This site catalog shows only outline specifications. When using the products, please obtain formal specifications for supply.
2. Please place purchase orders per minimum order unit (integer).
3. Products other than those listed in the above chart are also available. Please contact us for details.
4. This products can be used in vehicles.

Although these products are designed to perform over a wide operating temperature range, please ensure that you receive and read the formal delivery specifications before use.