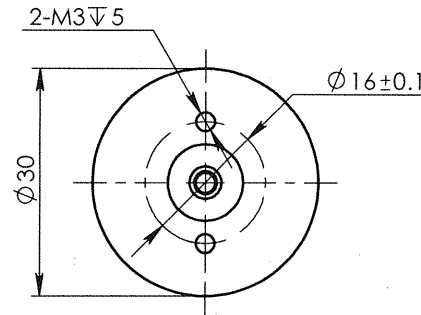
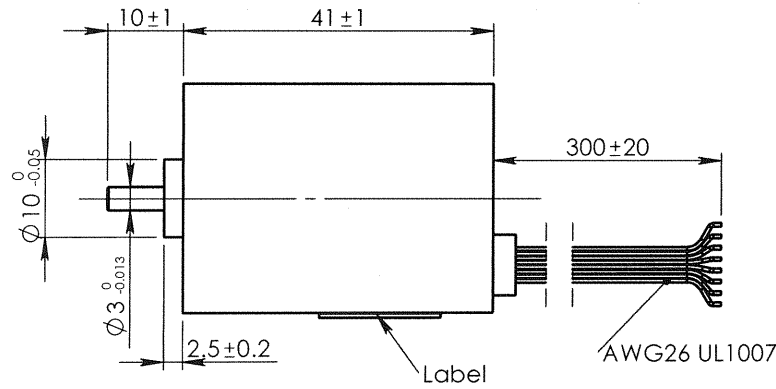


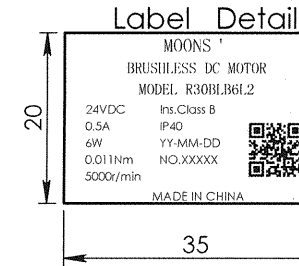
4611130001024



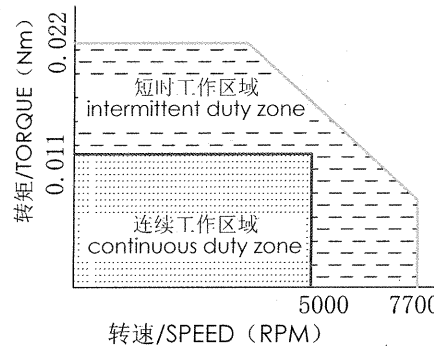
编号 NO.	线色 COLOR	线号 AWG	线型 WIRE	定义 FUNCTION
1	红/red	26	UL1007	VCC
2	橙/orange	26	UL1007	U
3	绿/green	26	UL1007	V
4	棕/brown	26	UL1007	W
5	黄/yellow	26	UL1007	Hu
6	白/white	26	UL1007	Hv
7	蓝/blue	26	UL1007	Hw
8	黑/black	26	UL1007	GND

规格 Specifications

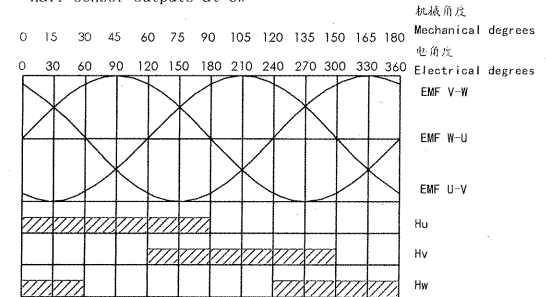
1	额定电压/Rated power supply	24	VDC
2	额定输出功率/Rated output power	6	W
3	极数/Poles number	4	
4	相数/Phase number	3	
5	额定转速/Rated rotational speed	5000	RPM
6	最大转速/Maximum speed	7700	RPM
7	额定转矩/Rated torque	0.011	Nm
8	额定电流/Rated winding current	0.5	A
9	线反电动势/Voltage constant ±10%	2.2	Vrms/krpm
10	惯量/Moment of inertia	2.0413x10 ⁻⁴	kg·m ²
11	线电阻/Ph/ph resistance ±0.1Ω at 20°C	11.2	Ω
12	线电感Ph/ph inductance ±30% at 1KHz 20°C	8.7	mH
13	电机质量/Motor mass	0.12	kg
14	绝缘等级/Insulation class	B	130°C
15	防护等级/Protective enclosure rating	IP40	



转矩-转速特性 Torque-speed specifications



线反电势与霍尔相位关系图 (顺时针)
Relation between phase EMF's and hall sensor outputs at CW



REV.	版本记录 REVISION RECORD	DATE
A	原始版本 Original revision	2018-05-22

Unit: mm
第一角画法
FIRST ANGLE METHOD
未注线性与角度尺寸公差
Tolerances for linear and angular dimensions without individual tolerance indications
GB/T 1804-m eqv ISO 2768-1 : m
未注形状与位置尺寸公差
Geometrical tolerance for features without individual tolerance indications
GB/T 1184-K eqv ISO 2768-2 : K

批准 Approve	
标准化 Standard	
工艺 Technology	
审核 Check	
设计 Design	
NAMES	SIGNATURE
	DATE

MOONS' BRUSHLESS DC MOTOR
Shanghai Moons' Electric Co., Ltd.

This document is released for information only. Its reproduction in whole or in part or its dissemination to third parties is prohibited. All trademarks and registered trademarks appearing on this document are the property of their respective owners.

Type: R30BLB6L2 Rev.A SCALE 1:2 Sheet 1 of 1