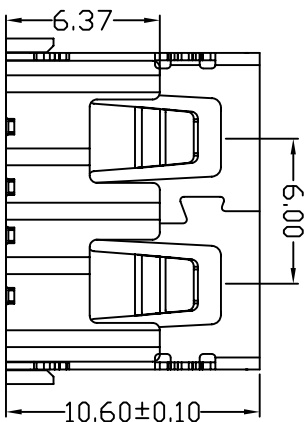
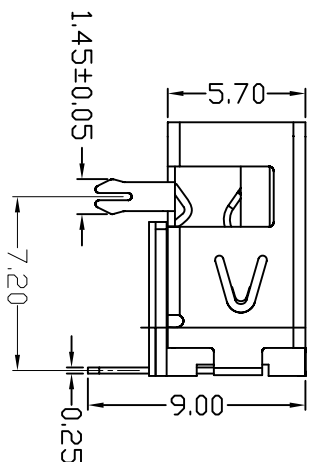
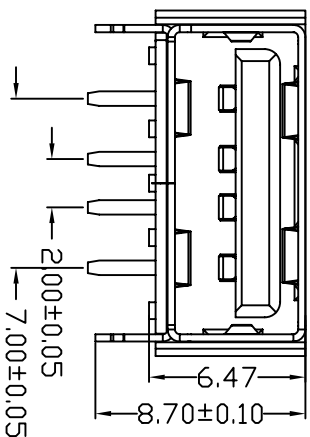
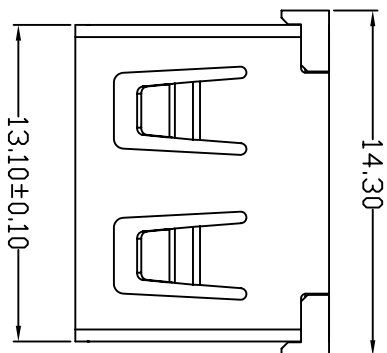


# D款，正向10.6前两脚，DIP-\*6.50



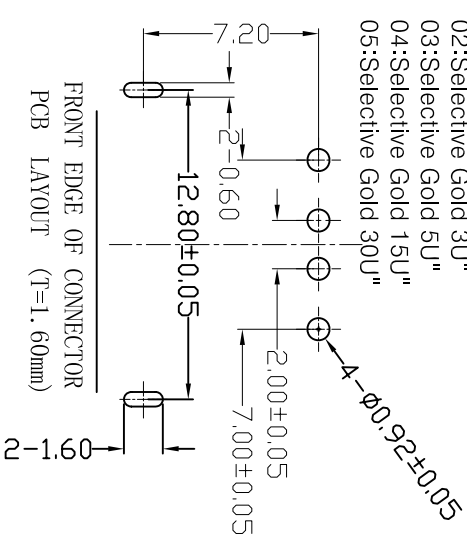
|      |              |      |
|------|--------------|------|
| MAPX | MODIFICATION | DATE |
|------|--------------|------|

NOTES:  
 1. HOUSING: SEE NOTES, UL94V-0.  
 TERMINAL: SEE NOTES.  
 SHELL: SEE NOTES.

SPECIFICATION:  
 1. ELECTRICAL CHARACTERISTIC:  
 CONTACT RESISTANCE: 30MΩ MAX  
 DIELECTRIC WITHSTANDING VOLTAGE: 500V AC FOR 1MIN  
 INSULATION RESISTANCE: 1000MΩ MIN  
 2. MECHANICAL CHARACTERISTIC:  
 INSERTION FORCE: 35N(3.57KGF) MAX  
 EXTRACTION FORCE: 10~35N(1.02~3.57KGF)/MIN  
 DURABILITY: 1500 CYCLES EXTRACTION FORCE: 10~35N  
 5000 CYCLES MIN

3. ENVIRONMENTAL:  
 OPERATING TEMPERATURE: -55°C+85°C  
 4. Contact finish:

- 01: Selective Gold Flash
- 02: Selective Gold 3U"
- 03: Selective Gold 5U"
- 04: Selective Gold 15U"
- 05: Selective Gold 30U"



## 产品图

## 深圳市精拓金电子有限公司

|                            |       |         |            |                  |                         |
|----------------------------|-------|---------|------------|------------------|-------------------------|
| 公差一览表                      |       | 制图      |            | 制图料号             |                         |
| TOLERANCE UNLESS OTHERWISE | UNITS | DRAWING | Z-Y-B      | PRODUCT PART NO. | JTY-1USB-10.6-002       |
| X ±0.15                    | X     | 审核      | 1:1        | 产品名称             | USB A/F 10.6正向前两脚鱼叉(方弹) |
| X ±0.10                    | X     | 日期      | 2012.09.24 | 角法               | 版本                      |
| XX ±0.05                   | XX    | DATE    | 2012.09.24 | 核准               | VER                     |
| XXX ±0.03                  | XXX   | APPR    |            | AD               |                         |

A B C D E F G

A B C D E F G

1 2 3 4 5 6 7 8 9 10