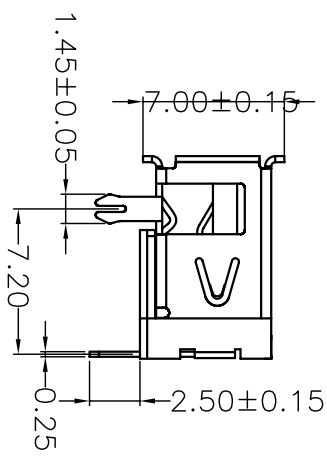
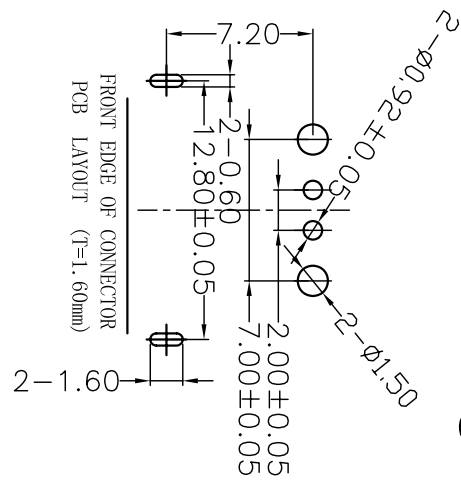
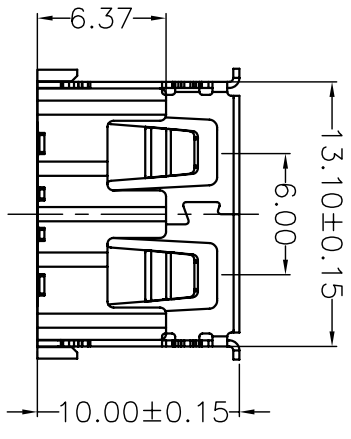
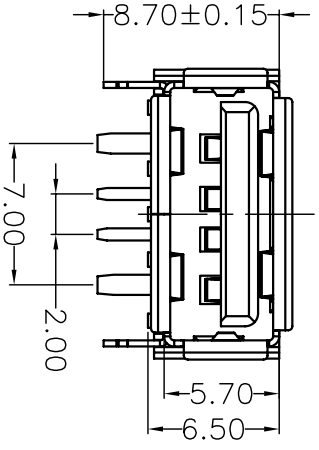
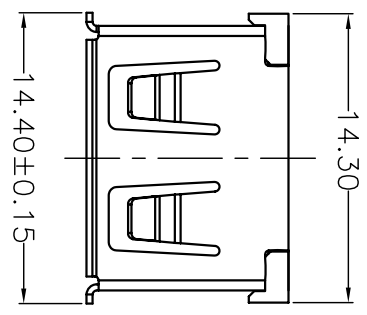


RoHS

Parts Drawing

REVISIONS		
SYM	ECN No.	MODIFICATION

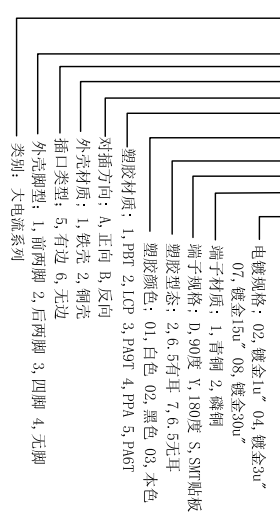


1	919-151A1012D202	1
2		2
3		3
4		4

Note:

- Material:
 - Housing: High temperature thermoplastic with/black g.f.Ul94v-0
 - Contact: copper alloy,t=0.25mm
 - Shell: copper/Ferroalloy alloy,t=0.30mm
- Specification:
 - Current rating:5A Max.
 - Dielectric withstanding voltage: 100 V(ac) for 1 min.
 - Contact resistance: 30 mΩ Max.
 - Insulation resistance: 100 MΩ Min.
 - Total mating force: 3.57 Kgf Max.
 - Total unmating force: 1.0 Kgf Min.
- Finish:
 - Contact: Plated Gold in Mating Area: Tin On Solder Tails
 - Shell: Nickel Plating
- Environmental:
 - Temperature range: -55°C~85°C

PART ON: 919-15XXAXXXXDXXX



拓 深圳市精拓金电子有限公司

DRAWN	TITLE	PART NO.	SCALE	SHEET	SIZE	REV.
CHECKED	USB AP DIP大电流10.0	SEE PART ON	1:1	1 OF 1	A4	X1
APPROVED	前两脚有边H6.5mm	DRAWING NO.				
		R919151A1012D202				

UNIT	TOLERANCE
mm	.XXX±.10, .XX±.25, .X±.38, ANG±5°



A B C D E

5

4

3

2

1

5

4

3

2

1