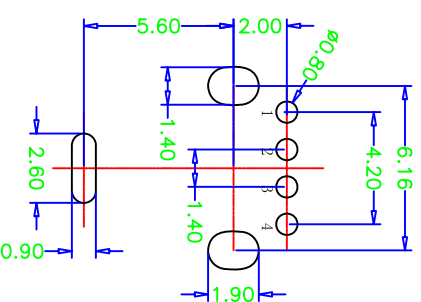
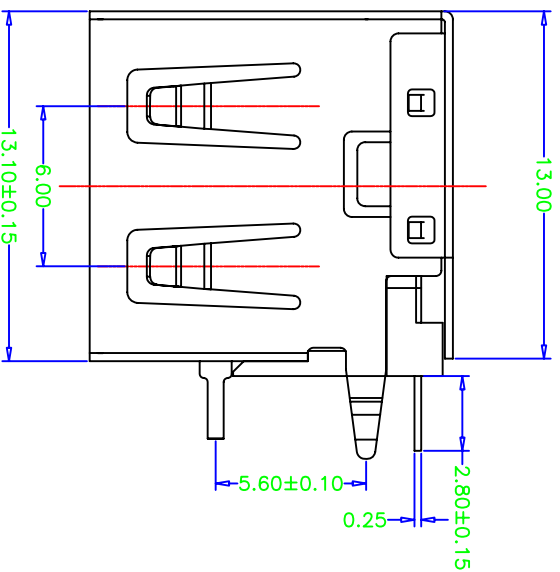
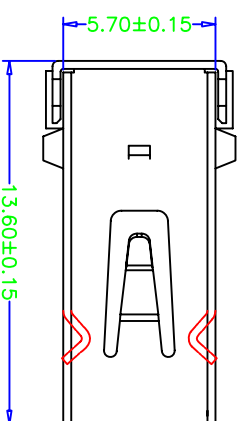
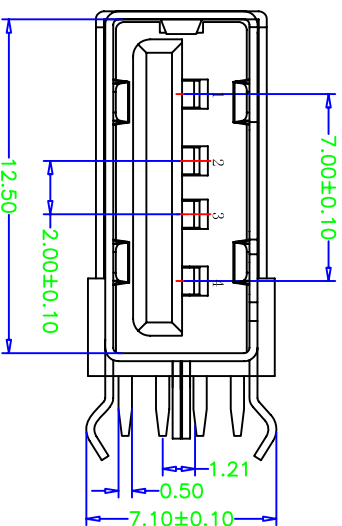
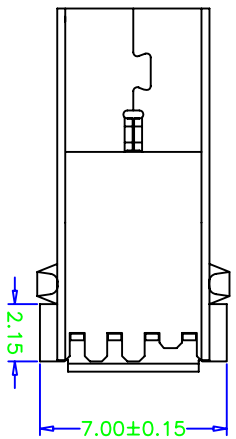


REV	MODIFICATION	DATE
A0	胶芯变更	2013.12.20



RECOMMENDED PCB LAYOUT
GENERAL TOLERANCES: ±0.05

NOTE:

1. Material:

Housing: Thermoplastics, UL94V-0 (ROHS, HF)

Contact: Phosphor Bronze C5191-EH/C2680-EH, T=0.25mm

Shell: COPPER ALLOY T=0.30mm

2. FINISH:

Contact: 15u" Gold Plated on Contact Area,

80u" Min.Tin Plated on Solder Area

50u" Min.Nickel Underplating Over ALL.

Shell: 50u" Min.Nickel Underplating Over ALL.

3. Specification:

3.1: Rating:

Rated voltage 500V AC/DC. Rated current: 2 A Max.

3.2: Electrical:

Insulation Resistance(EIA-364-21):

1000MΩ Min. at 500V/DC for 1Minute.

Contact Resistance(EIA-364-23):

30 mΩ Max. at 20mV Max, 50mA

Dielectric Withstanding Voltage(EIA-364-20):

No discharge, flashover or breakdown at 500V/AC 1Minute

4. Plug extraction force shall be between 1.0kgf and 2.00kgf

5. Contact finish:

01:Selective Gold Flash

02:Selective Gold 3U"

03:Selective Gold 5U"

04:Selective Gold 15U"

05:Selective Gold 30U"

深圳市精拓金电子有限公司

产品图
PRODUCT CHART DWG

TOLERANCE UNLESS OTHERWISE	公差一覽表
X ±0.25 X ±5.°	
X ±0.20 X ±2.°	
.XX ±0.15 .XX ±1.°	
.XXX ±0.10 .XXX ±0.5°	

单位	MM	制图	制料号
UNITS		DRAWING	PRODUCT PART NO.
比例	1:1	审核	产品名称 USB A/F脚立短体4PIN 内直脚无卷边
SCALE		CHRD	(弯脚 L=13.6)
日期	2013.12.20	核准	角法
DATE		APPD	版本
			REV
			A0

G

F

E

D

C

B

A

1 2 3 4 5 6 7 8 9 10

G

F

E

D

C

B

A