

RoHS

REVISIONS

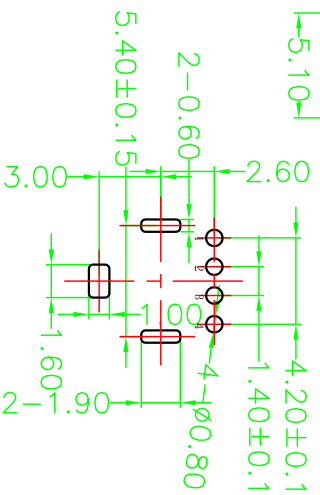
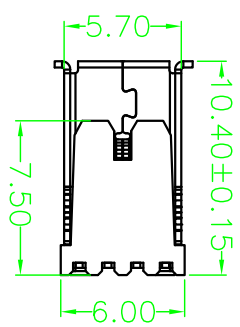
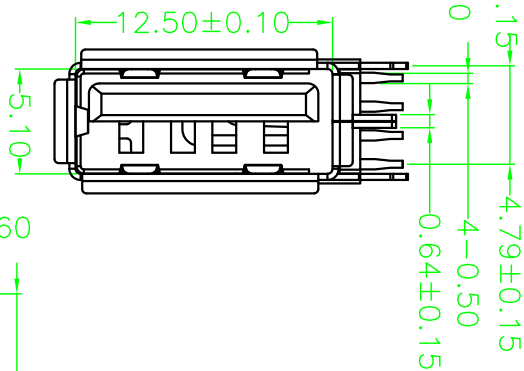
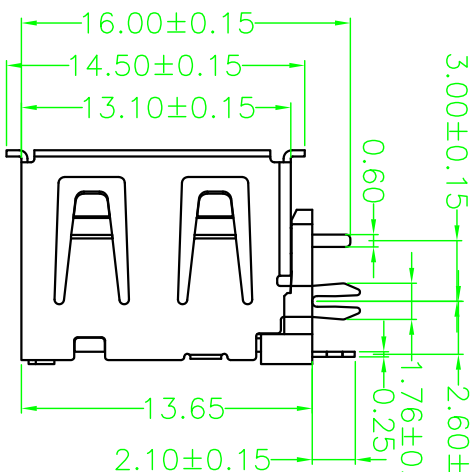
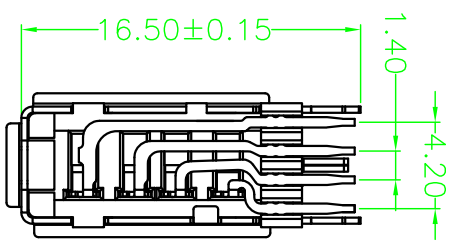
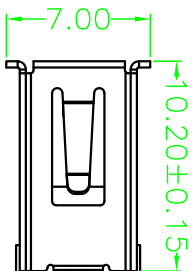
DATE ISSUED

SYML EGN No.

MODIFICATION

DATE

ISSUED



RECOMMENDED PCB LAYOUT  
GENERAL TOLERANCES: ±0.05

- Note:
- Material:
    - Housing: High temperature thermoplastic with/black G/F, UL94V-0
    - Contact: copper alloy, t=0.25mm
    - Shell: copper/Ferroalloy alloy, t=0.30mm
  - Specification:
    - Current rating: 1.5A Max.
    - Dielectric withstanding voltage: 100 V(ac) for 1 min.
    - Contact resistance: 30 mΩ Max.
    - Insulation resistance: 100 MΩ Min.
    - Total mating force: 3.57 Kgf Max.
    - Total unmating force: 1.0 Kgf Min.
  - Plating:
    - Terminal: Au Plating on Contact Area  
Sn Plating on Solder Area  
Nickel Under plating All Over
  - Environmental:
    - Temperature range: -55°C~85°C

PART ON:

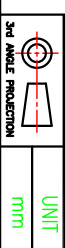
906-75XBXXX4D1XX

- 电鍍規格: 02.鍍金1u" 04.鍍金3u" 07.鍍金15u" 08.鍍金30u"
- 端子材料: 1.青銅 2.磷銅
- 端子規格: 1.14.0 2.13.65 3.14.0 4.10.0 5.10.0 6.10.0 7.1.4 8.10.0 9.1.5
- 塑膠顏色: 01.白色 02.黑色 03.本色
- 對插方向: 1.正向 2.反向
- 外殼材料: 1.PPA 2.PBT 3.PBT 4.PPA 5.PBT
- 插口類型: 5.有邊 6.无边
- 外殼腳型: 1.三直腳 2.三彎腳 3.外彎內直腳 4.外彎內0型腳 5.外直腳內0型腳 6.外直內彎腳 7.魚叉內直腳 8.魚叉內0型腳
- 類別: 180°系列

1	906-751B1014D102	5
2		6
3		7
4		8

深圳市精拓金电子有限公司

DRAWN	TITLE	PART NO.	SCALE	SHEET	SIZE	REV.
CHECKED	USB AF 10.0侧插反向	SEE PART ON	1:1	1 OF 1	A4	X1
APPROVED	外_鱼叉脚内直脚有边-H13.65	DRAWING NO.				
		R906751B1014D102				



UNIT	TOLERANCE
mm	.XXX±.10, .XX±.25, .X±.38, ANG±5°