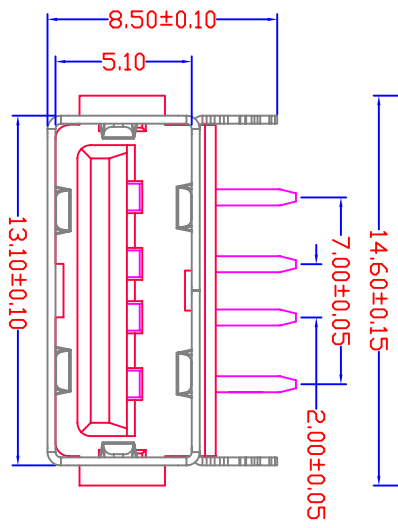
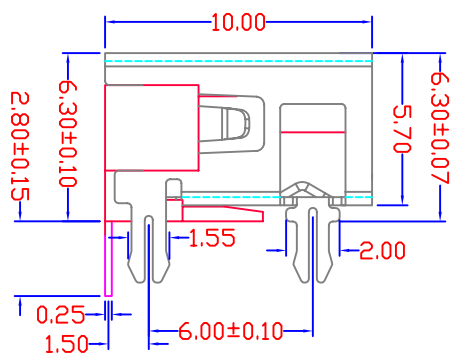
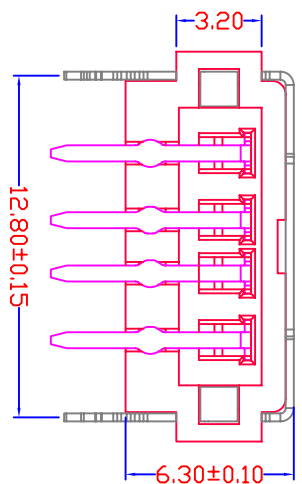


MAPX	MODIFICATION	DATE



**Specification:**

- Electrical Characteristics:**  
 Dielectric Withstanding Voltage: AC 500V/1MINUTE.  
 Insulation Resistance: 1000 MΩ/Min.  
 Contact Resistance: 30 mΩ) Max.

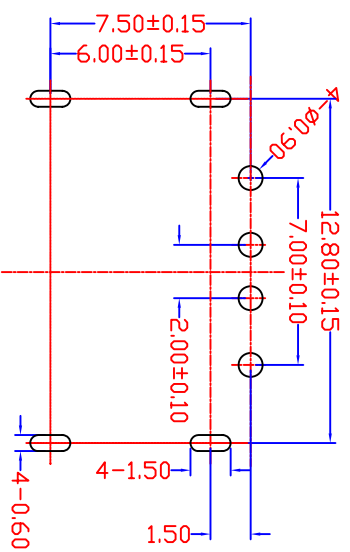
- Mechanical Characteristics:**  
 INSERTION FORCE: 30N(3.06kgf) MAX  
 EXTRACTION FORCE: 10~30N(1.02~3.06kgf)  
 Durability: 1500cycles.EXTRACTION FORCE: 10~30N(1.02~3.06kgf)

**3. Material:**

Terminal: Phosphor Bronze, C5191/C2680R-EH T=0.25  
 Plating: Gold 0.76 um Min plating over 1.27 um Min Nickel underplate, 2.54 um Min Sn selective plating on solder tail;  
 Shell: Bronze, C2680R-H =0.30mm  
 Plating: Nickel underplate 2.54 um Min;  
 Housing: LCP Black

**4.Environmental:**

Operating Temperature: 0°C to +85°C.



**RECOMMENDED P.C.B LAYOUT**

**产品图**  
PRODUCT CHART DWG

**深圳市精拓金电子有限公司**

公差一览表		单位		制图		制图料号	
TOLERANCE	UNLESS OTHERWISE	UNITS	MM	DRAWING	Z-Y-B	PRODUCT PART NO	JTY-USB-AV-F-10.0-012
X	±0.25	X	±5°	审核		产品名称	A/F 10.0四脚无边
X	±0.15	X	±2°	CHKD		PRODUCT NO	
XX	±0.10	XX	±1°	核准		角法	
XXX	±0.05	XXX	±0.5°	APPD		版本	AD
DATE	2012.04.1	DATE		VER		VER	

1 2 3 4 5 6 7 8 9 10

A B C D E F G