

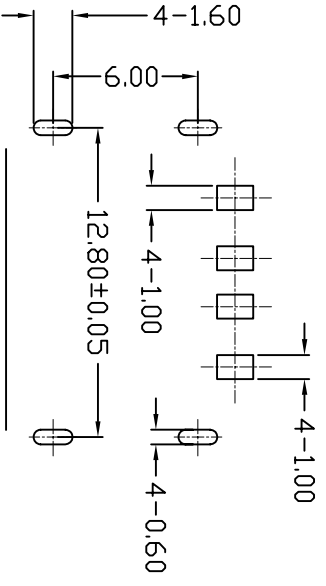
MAPX	MODIFICATION	DATE
------	--------------	------

NOTES:  
 1. HOUSING: SEE NOTES, TERMINAL: SEE NOTES, SHELL: SEE NOTES.  
 SPECIFICATION:

1. ELECTRICAL CHARACTERISTIC:  
 CONTACT RESISTANCE: 30MΩ MAX  
 DIELECTRIC WITHSTANDING VOLTAGE: 500V AC FOR 1MIN  
 INSULATION RESISTANCE: 1000MΩ MIN  
 2. MECHANICAL CHARACTERISTIC:  
 INSERTION FORCE: 35N(3.57KG) MAX  
 EXTRACTON FORCE: 10~35N(1.02~3.57KG) MIN  
 DURABILITY: 1500 CYCLES EXTRACTON FORCE:10~35N  
 5000 CYCLES MIN  
 5000 CYCLES EXTRACTON FORCE:3~35N

3. ENVIRONMENTAL:  
 OPERATING TEMPERATURE: -55°C+85°C

4. Contact finish:  
 01:Selective Gold Flash  
 02:Selective Gold 3U"  
 03:Selective Gold 5U"  
 04:Selective Gold 15U"  
 05:Selective Gold 30U"



FRONT EDGE OF CONNECTOR  
 PCB LAYOUT (T=1.60mm)

# 深圳市精拓金电子有限公司

PRODUCT CHART DWG		公差一览表		单位		制图		制图料号	
TOLERANCE	UNLESS OTHERWISE	±5°	±2°	MM	DRAWING	Z-Y-B	PRODUCT PART NO	JTY-USB-10.0-003	
X	±0.15	X	±2°	比例	审核		产品名称	USB A/F 10.0无边四脚鱼叉(方弹)	
XX	±0.10	X	±1°	日期	核准		PRODUCT NO		
XXX	±0.05	XX	±0.5°	DATE	APRD		角法		
	±0.03	XXX					版本	AD	

