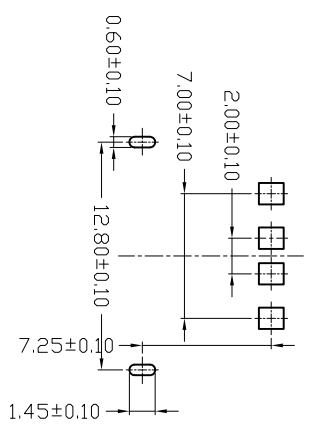
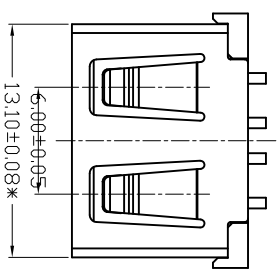


MAPX	MODIFICATION	DATE
------	--------------	------

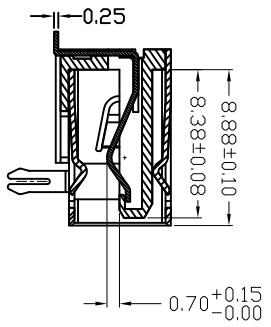
NOTES:
 1. HOUSING: SEE NOTES.
 TERMINAL: SEE NOTES.
 SHELL: SEE NOTES.

SPECIFICATION:

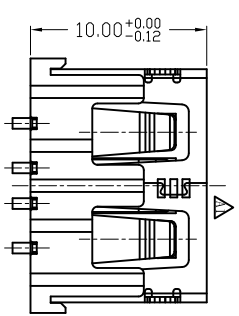
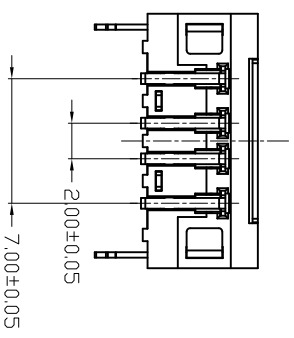
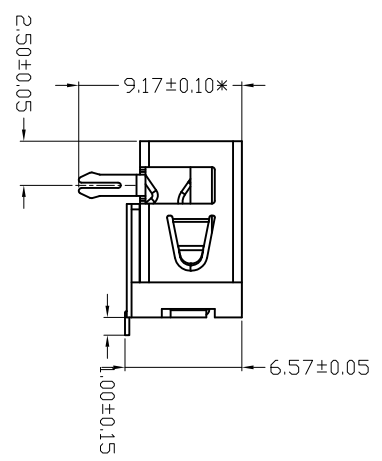
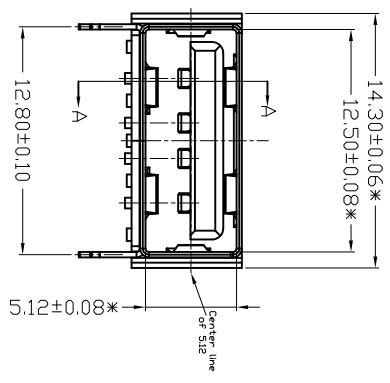
- ELECTRICAL CHARACTERISTIC:
 CONTACT RESISTANCE: 30MΩ MAX
 DIELECTRIC WITHSTANDING VOLTAGE: 500V AC FOR 1MIN
 INSULATION RESISTANCE: 1000MΩ MIN
- MECHANICAL CHARACTERISTIC:
 INSERTION FORCE: 35N(3.57KGF) MAX
 EXTRACTION FORCE: 10~35N(1.02~3.57KGF) MIN
 DURABILITY: 1500 CYCLES EXTRACTION FORCE: 10~35N
 3000 CYCLES MIN
 5000 CYCLES EXTRACTION FORCE: 3~35N
- ENVIRONMENTAL:
 OPERATING TEMPERATURE: -55°C~+85°C
- Contact finish:
 01: Selective Gold Flash
 02: Selective Gold 30"
 03: Selective Gold 50"
 04: Selective Gold 150"
 05: Selective Gold 300"



FRONT EDGE OF CONNECTOR
PCB LAYOUT



SECTION A-A



产品图
PRODUCT CHART DWG

深圳市精拓金电子有限公司

公差一览表		单位	制图	制料号
TOLERANCE UNLESS OTHERWISE	UNITS	MM	Z-Y-B	PRODUCT PART NO
X: ±0.25	X: ±5°	比例	审核	产品名称
X: ±0.20	X: ±2°	SCALE	CHKD	PRODUCT NO
XX: ±0.15	XX: ±1°	日期	核准	角法
XXX: ±0.10	XXX: ±0.5°	DATE	APPD	VER
		2012.06.15		版本
				AD

JTJ-USB AF 10.0-C-001

USB A/F SMT (10.0) 无卷边