

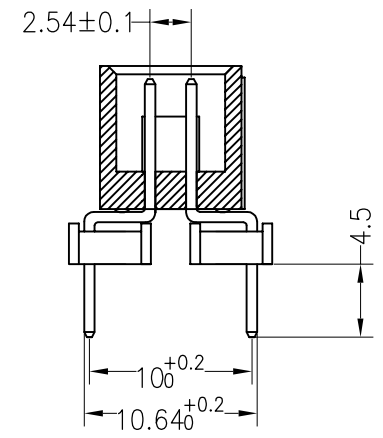
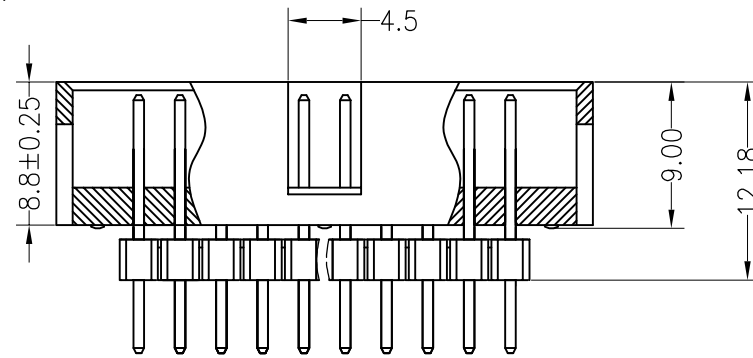
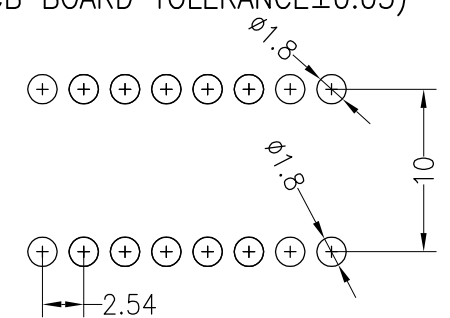
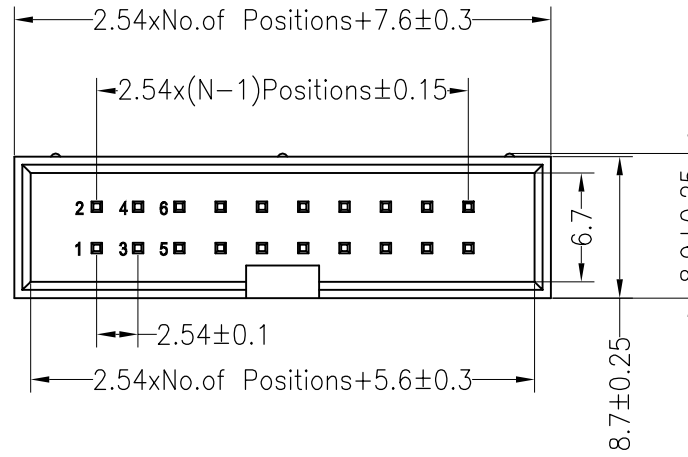
RoHS

SPECIFICATIONS

Rated Current:3.0AMP
 Contact Resistance:20mΩ Max
 Withstand Voltage:1000V AC/DC
 Insulation Resistance:1000MΩ Min
 Operation Temperature:-40°c to +105°c

Contact Material:Brass
 Contact Plating:Au Over Ni
 Insulator Material:Polyester(UL94V-0)
 Standard: PBT
 Max.Processing Temp: 180°C for 30-60 seconds
 (200°C for 10 seconds)

Recommended P.C.B Layout(Top Side)
 (PCB BOARD TOLERANCE±0.05)



Dimension antitheses list				
ITEM	H	D	W	L
Alternate				19.00

深圳市连盛精密连接器有限公司

PART NO. BH-00065

TITLE: 2.54mm Box 3H=8.8+2X2.5Pin 蜈蚣脚

REV	DATE	MODIFICATION DESCRIPTION	CHANGE	OPERATION		DRAW	SCALE	FIT
				X.X	±0.30			
A0	2012.03.28	NEW DRAWING		X.XX	±0.20	CHECK	UNIT	mm
				X.XXX	±0.10	APPROVE	SIZE	A4
				Angle	±3°		SHEET	1/1
				DIM	TOL		PROJ.	☐