

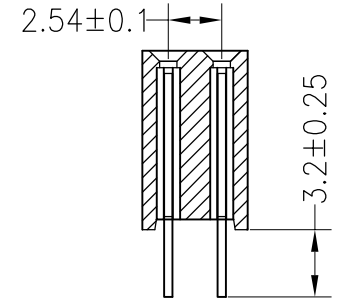
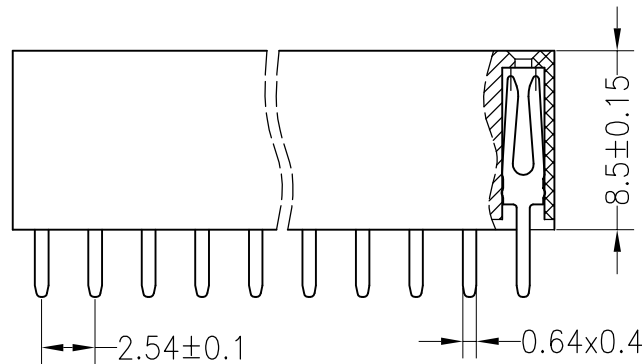
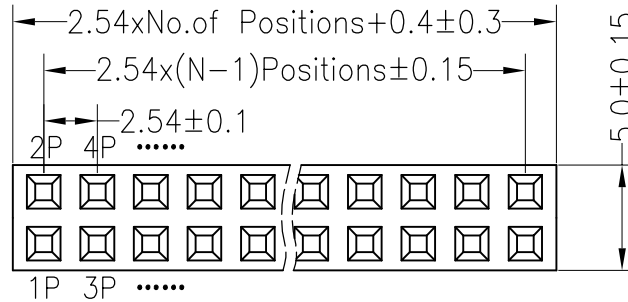
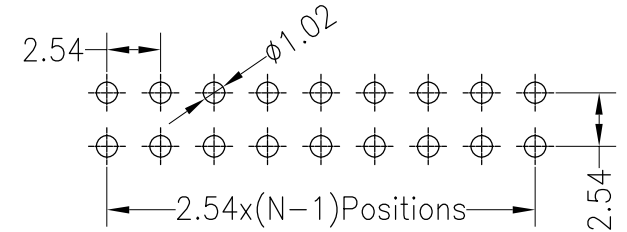
RoHS

SPECIFICATIONS

Rated Current:3.0AMP
 Contact Resistance:20mΩ Max
 Withstand Voltage:1000V AC/DC
 Insulation Resistance:1000MΩ Min
 Operation Temperature:-40°C to +105°C

Contact Material:Brass
 Contact Plating:Au Over Ni
 Insulator Material:Polyester(UL94V-0)
 Standard: PBT
 Max.Processing Temp: 180°C for 30-60 seconds
 (200°C for 10 seconds)

Recommended P.C.B Layout(Top Side)
 (PCB BOARD TOLERANCE±0.05)



| | | | | | | | | | | |
|-----|------------|--------------|-------------|-----------|-------|---------|--------|------------------------------|-------------------|--|
| | | | | OPERATION | | DRAW | SCALE | FIT | 深圳市连盛精密连接器有限公司 | |
| | | | | X.X | ±0.30 | | | | | |
| | | | | CHECK | | APPROVE | SIZE | A4 | PART NO. FH-00237 | |
| | | | | X.XX | ±0.20 | | | | | |
| A0 | 2012.03.28 | NEW DRAWING | | Angle | ±3° | PROJ. | TITLE: | 2.54FH H=8.5 W=5.0 2X13P DIP | | |
| REV | DATE | MODIFICATION | DESCRIPTION | DIM | TOL | | | | | |
| 1 | 2 | 3 | 4 | 5 | 6 | 7 | 8 | 9 | | |