

RoHS

SPECIFICATIONS

Rated Current:3.0AMP

Contact Resistance:20mΩ Max

Withstand Voltage:1000V AC/DC

Insulation Resistance:1000MΩ Min

Operation Temperature:-40°C to +105°C

Contact Material:Brass

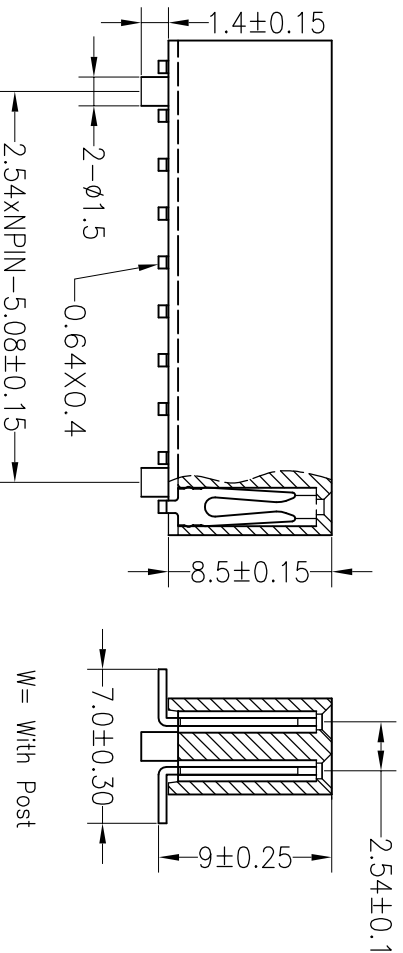
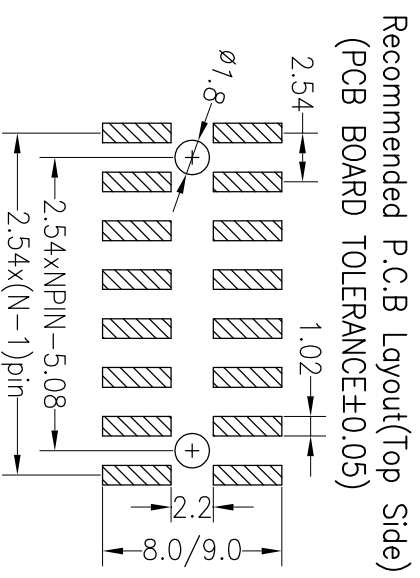
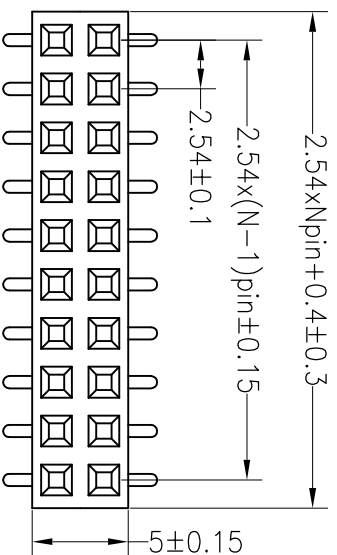
Contact Plating:Au Over Ni

Insulator Material:Polyester(UL94V-0)

Standard: PA6T

Max.Processing Temp: 230°C for 30-60 seconds

(260°C for 10 seconds)



深圳市连盛精密连接器有限公司

PART NO. FH-00012

TITLE: 2.54FH H8.5mm 2x25pin SMT Y端

REV	DATE	MODIFICATION DESCRIPTION	CHANGE	OPERATION		DRAW		SCALE		FIT	PART NO.	TITLE:
				X.X	±0.30	CHECK	UNIT	mm	SIZE			
A0	2012.03.28	NEW DRAWING		X.XX	±0.20	CHECK	A4	1/1	1/1		FH-00012	2.54FH H8.5mm 2x25pin SMT Y端
1				Angle	±3°	APPROVE						
				DIM	TOL							