

RoHS

SPECIFICATIONS

Rated Current:3.0AMP

Contact Resistance:20mΩ Max

Withstand Voltage:1000V AC/DC

Insulation Resistance:1000MΩ Min

Operation Temperature:-40°C to +105°C

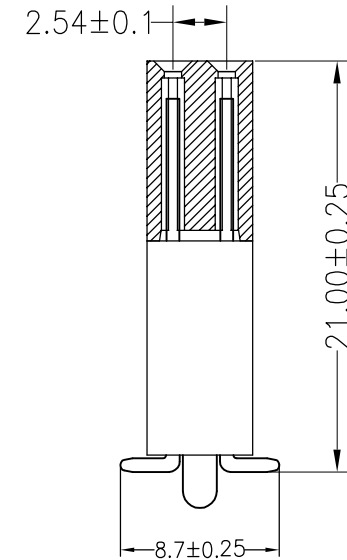
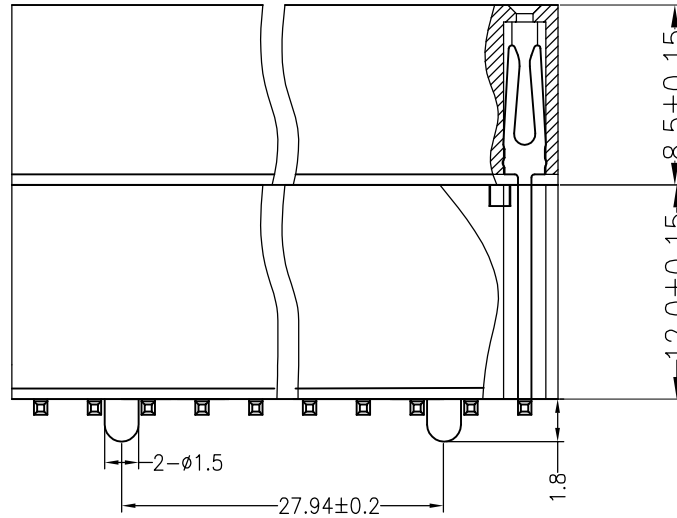
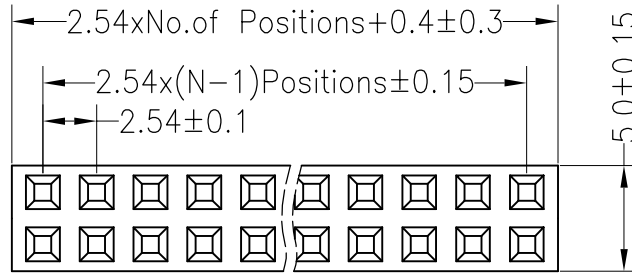
Contact Material:Brass

Contact Plating:Au Over Ni

Insulator Material:Polyester(UL94V-0)

Standard: PA6T

Max.Processing Temp: 230°C for 30-60 seconds  
(260°C for 10 seconds)



				OPERATION		DRAW		SCALE	FIT	深圳市连盛精密连接器有限公司	
				X.X	$\pm 0.30$			UNIT	mm		
				X.XX	$\pm 0.20$	CHECK		SIZE	A4	PART NO. FH-00288	
				X.XXX	$\pm 0.10$	APPROVE		SHEET	1/1	TITLE: 2.54FH 2H=8.5+12.0 2x15pin 180° W5.0mm	
REV	DATE	MODIFICATION DESCRIPTION	CHANGE	DIM	TOL			PROJ.	$\phi$		