

RoHS

SPECIFICATIONS

Rated Current:3.0AMP

Contact Resistance:20mΩ Max

Withstand Voltage:1000V AC/DC

Insulation Resistance:1000MΩ Min

Operation Temperature:-40°C to +105°C

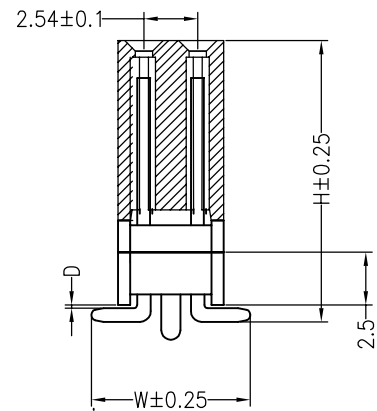
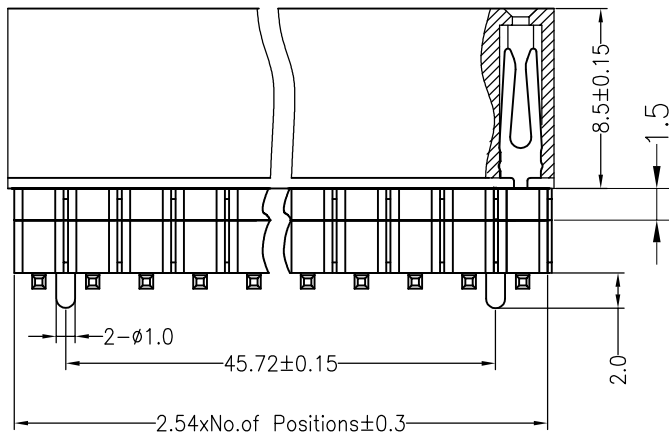
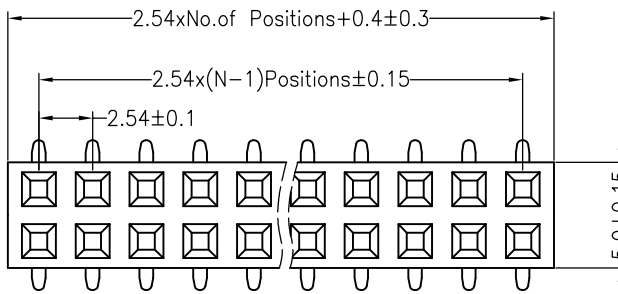
Contact Material:Brass

Contact Plating:Au or Sn Over Ni

Insulator Material:Polyester(UL94V-0)

Standard: PA6T

Max.Processing Temp: 230°C for 30-60 seconds
(260°C for 10 seconds)



Dimension antitheses list			
ITEM	H	D	W
Alternate	13.0	0.10	8.20

				OPERATION		DRAW		SCALE		FIT		深圳市连盛精密连接器有限公司 PART NO. FH-00372 TITLE: 2.54FH 3H=8.5+1.5+2.5 2x20P SMT W5.0mm L=13.5	
				X.X	±0.30			UNIT	mm				
				X.XX	±0.20	CHECK		SIZE	A4				
A0				2012.10.08	NEW DRAWING			SHEET	1/1				
REV	DATE	MODIFICATION DESCRIPTION	CHANGE	DIM	TOL	APPROVE		PROJ.	◆				
1	2	3	4	5	6	7	8	9					