

Customer drawings
Reference only

Kinghelm[®]

REV.	ECN.NO.	MODIFY.CONTENT	DATE
AO		NEW	2017/10/18

型号: KH-SIM1616-8PIN

NOTES:

1) MATERIAL:

HOUSING: LCP E130i UL 94V-0
CONTACT: C5210R-H T=0.15mm
SHELL: SUS201-H T=0.20mm

2) FINISH:

CONTACT: GOLD FLASH PLATED ON CONTACT AREA 1u"Min ;
GOLD FLASH PLATING ON SOLDER TAILS 1u"Min,
WITH ENTIRE CONTACT UNDERPLATED NICKEL 50u"Min
SHELL: NICKEL UNDERPLATED OVERALL 50u"Min,

3) MECHANICAL CHARACTERISTICS

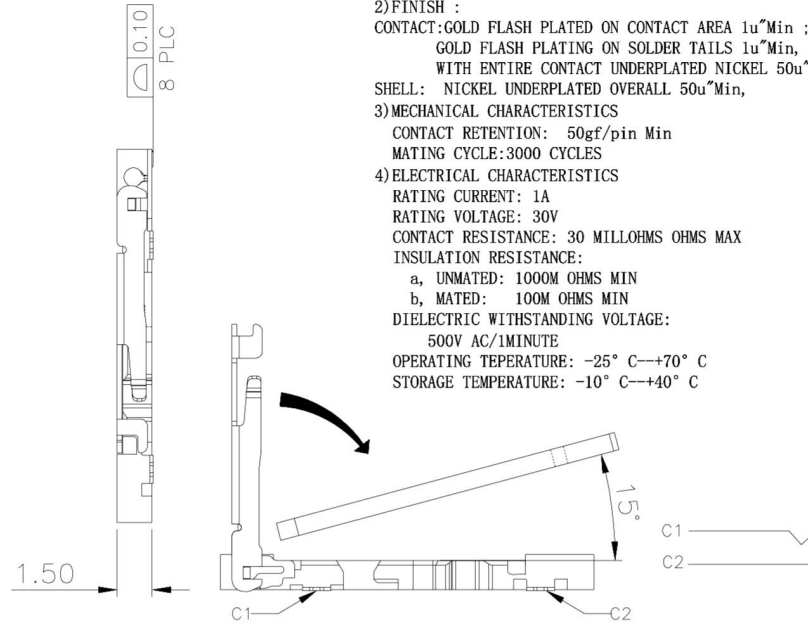
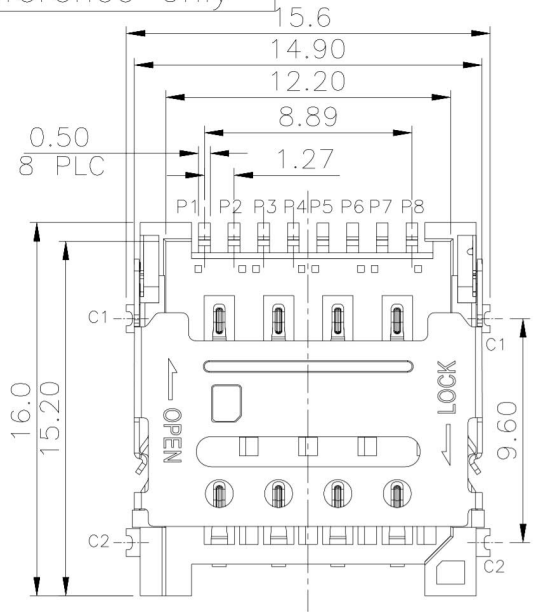
CONTACT RETENTION: 50gf/pin Min
MATING CYCLE: 3000 CYCLES

4) ELECTRICAL CHARACTERISTICS

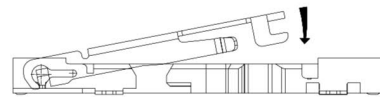
RATING CURRENT: 1A
RATING VOLTAGE: 30V
CONTACT RESISTANCE: 30 MILLOHMS OHMS MAX
INSULATION RESISTANCE:
a, UNMATED: 1000M OHMS MIN
b, MATED: 100M OHMS MIN
DIELECTRIC WITHSTANDING VOLTAGE:
500V AC/1MINUTE
OPERATING TEMPERATURE: -25° C--+70° C
STORAGE TEMPERATURE: -10° C--+40° C

5) PART NO.:

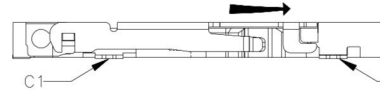
C-S3 08 150 A1-2
C: CARD TYPE
S3: MICRO SIM CARD
08: 8Pin
150: 1.50mm HEIGHT
A1-2: 2: GOLD PLATED 1u" Min
A1: SERIAL NUMBER



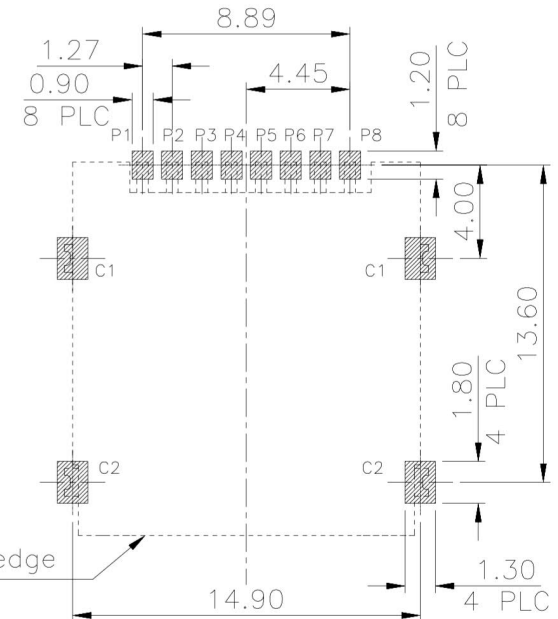
STEP I INSERT MICRO SIM CARD (C1/C2 SWITCH OPEN)



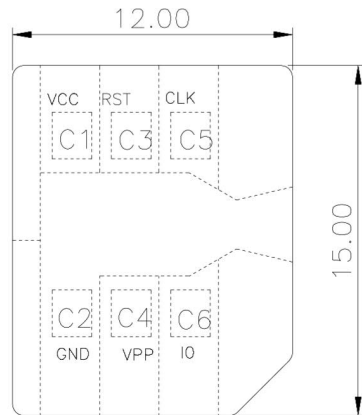
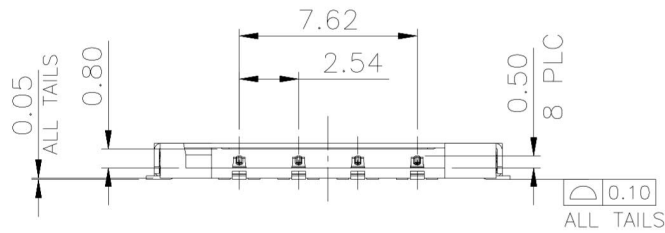
STEP II



STEP III PUSH SHELL (C1/C2 SWITCH LOCK)



RECOMMENDED PCB LAYOUT(TOP VIEW)
GENERAL TOLERANCES: ±0.05



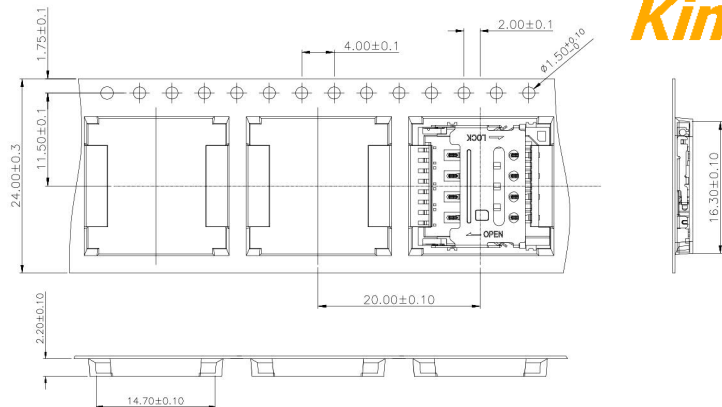
芯片面朝下视图

MICRO SIM CARD	
PIN NO.	DESCRIPTION
P1	VCC
P2	GND
P3	RST
P4	VPP
P5	CLK
P6	I/O
P7	RESERVED
P8	RESERVED

GENERAL TOLERANCE	DWG NO.	LZA1505-001	APPD:	WIND	Scale	1:1
X.±0.45	x.'±5°	Title MICRO SIM CARD 8PIN 1.5H (掀盖式8X1PIN)	CHKD:		UNIT	mm
.X±0.35	.x'±2°		DR:	彭善平		
.XX±0.25	.xx'±1°	Part NO.	C-S308150A1-2	Date	2017/10/18	
.XXX±0.15	.xxx'±0.5°					
SHEET	1/1					

深圳市金航标电子有限公司

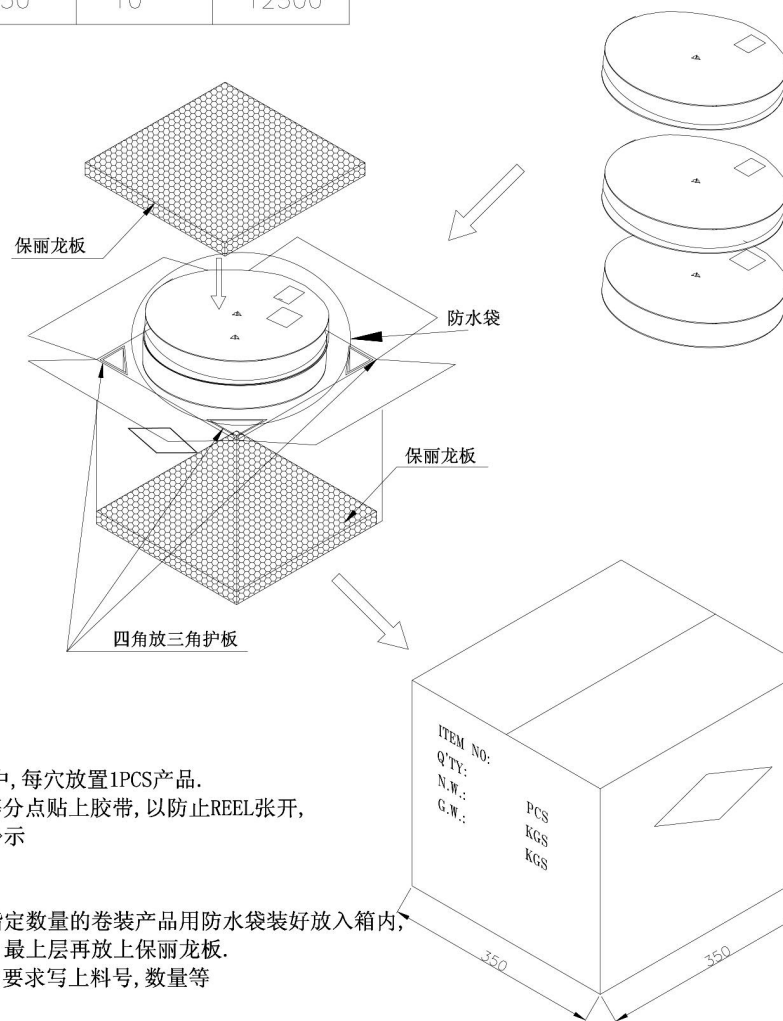
<图一>



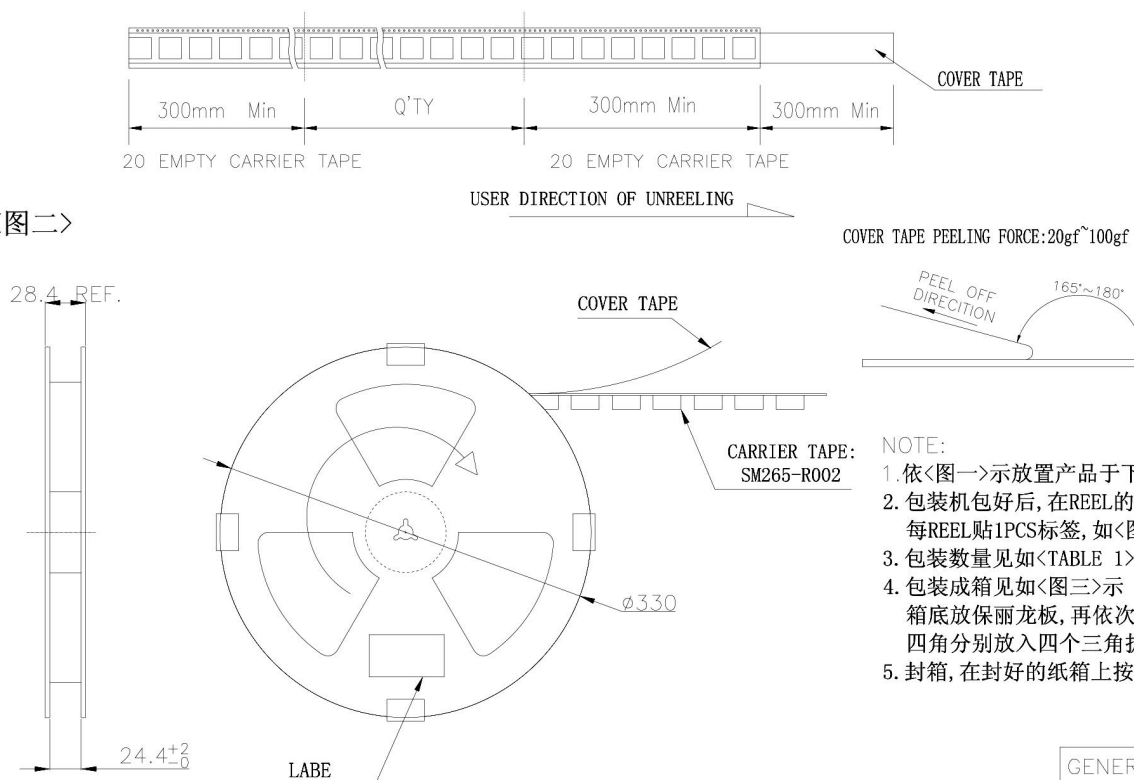
<TABLE 1> PACKAGING QUANTITY

QTY/REEL	REEL/CARTON	QTY/CARTON
1250	10	12500

<图三>



<图二>



NOTE:

1. 依<图一>示放置产品于下载中, 每穴放置1PCS产品.
2. 包装机包好后, 在REEL的个等分点上贴胶布, 以防止REEL张开, 每REEL贴1PCS标签, 如<图二>示
3. 包装数量见如<TABLE 1>示
4. 包装成箱见如<图三>示
箱底放保利龙板, 再依次将指定数量的卷装产品用防水袋装好放入箱内, 四角分别放入四个三角护板, 最上层再放上保利龙板.
5. 封箱, 在封好的纸箱上按客户要求写上料号, 数量等

GENERAL TOLERANCE		图号	LZA1505-001	设计	彭善平	比例	1:1
X.±0.45	x.*±5°	品名	MICRO SIM CARD 8PIN 1.5H(8X1 TYPE)包装图	审核	Raliny.xu	单位	mm
.X±0.35	.x±2°			核准	WANG		
.XX±0.25	.xx±1°	料号	C-S308150A1-2	日期	2017/10/18		
.XXX±0.15	.xxx±0.5°	页号	2/2	<h2>深圳市金航标电子有限公司</h2>			