

Features

- Operation Voltage from 8V to 40V
- Adjust VOUT from 1.25V to VIN-2V
- Minimum Drop Out 0.3V
- Fixed 180KHz Switching Frequency
- Maximum 3A Switching Current
- Internal Optimize Power MOSFET
- Excellent line and load regulation
- With output constant current loop
- Built in thermal shutdown function
- Built in current limit function
- Built in output cable compensation
- Recommend output power less than 13W
- SOP8-EP (Exposed PAD) package

Applications

- Car Charger
- Battery Charger
- LCD Monitor and LCD TV
- Portable instrument power supply
- Telecom / Networking Equipment
- Buck constant current driver

General Description

The XL4301 is a 180KHz fixed frequency PWM buck (step-down) DC/DC converter, capable of driving a 2.5A load with high efficiency, low ripple and excellent line and load regulation. Requiring a minimum number of external components, the regulator is simple to use and include internal frequency compensation and a fixed-frequency oscillator.

The PWM control circuit is able to adjust the duty ratio linearly from 0 to 100%. An enable function, an over current protection function is built inside. An internal compensation block is built in to minimize external component count.

The XL4301 built in a simple, user-programmable output cable voltage drop compensation function. Use the curve in Table 2 to choose the proper compensation resistance values for cable compensation.

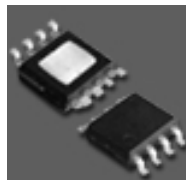


Figure1. Package Type of XL4301

3A 180KHz 45V Buck DC/DC Converter With Constant Current Loop	XL4301
---	--------

Pin Configurations

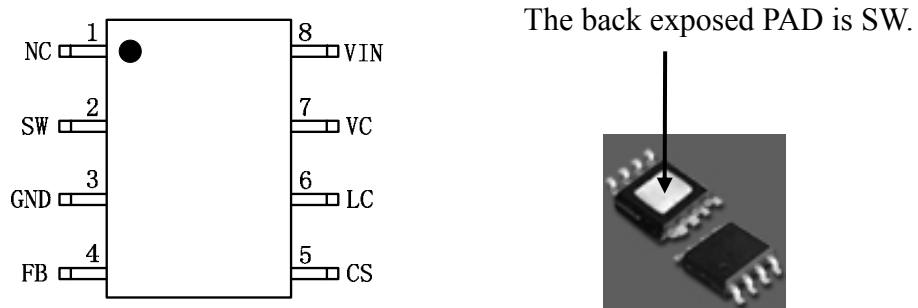


Figure2. Pin Configuration of XL4301 (Top View)

Table 1. Pin Description

Pin Number	Pin Name	Description
1	NC	Not connected.
2	SW	Power Switch Output Pin (SW). Output is the switch node that supplies power to the output. (Note: Connected the back exposed PAD to SW.)
3	GND	Ground Pin.
4	FB	Feedback Pin (FB). Through an external resistor divider network, Feedback senses the output voltage and regulates it. The feedback threshold voltage is 1.25V.
5	CS	Output Current Sense Pin ($I_{load}=0.11V/R_{cs}$).
6	LC	Output cable compensation.
7	VC	Internal Voltage Regulator Bypass Capacity. In typical system application, The VC pin connect a 1uF capacity to VIN.
8	VIN	Supply Voltage Input Pin. XL4301 operates from a 8V to 40V DC voltage. Bypass Vin to GND with a suitably large capacitor to eliminate noise on the input.

Function Block

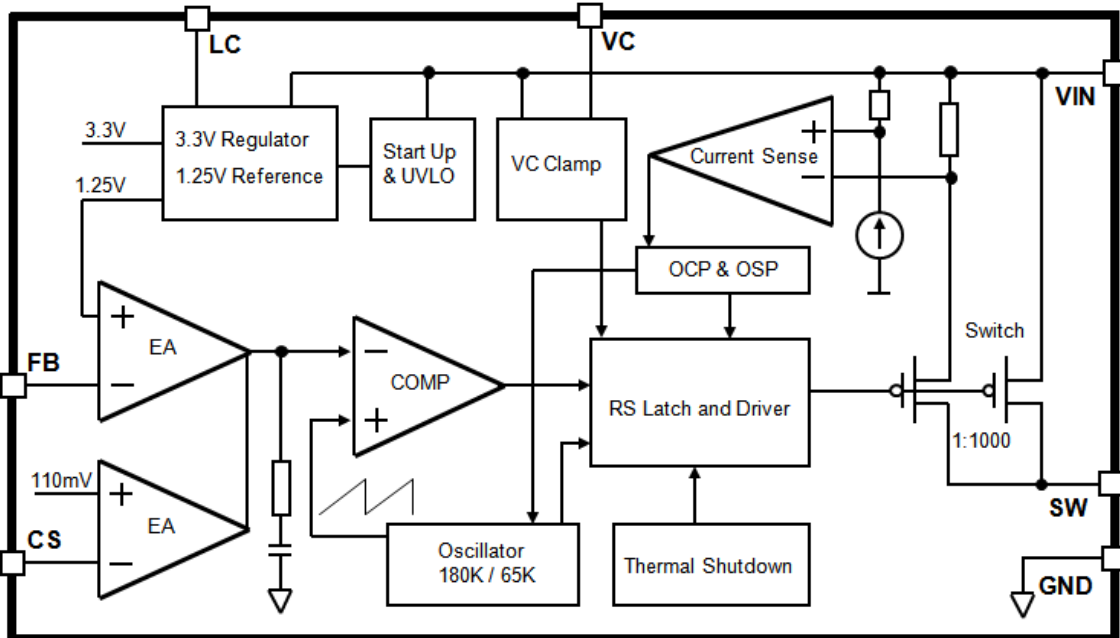


Figure3. Function Block Diagram of XL4301

Typical Application Circuit (Car Charger)

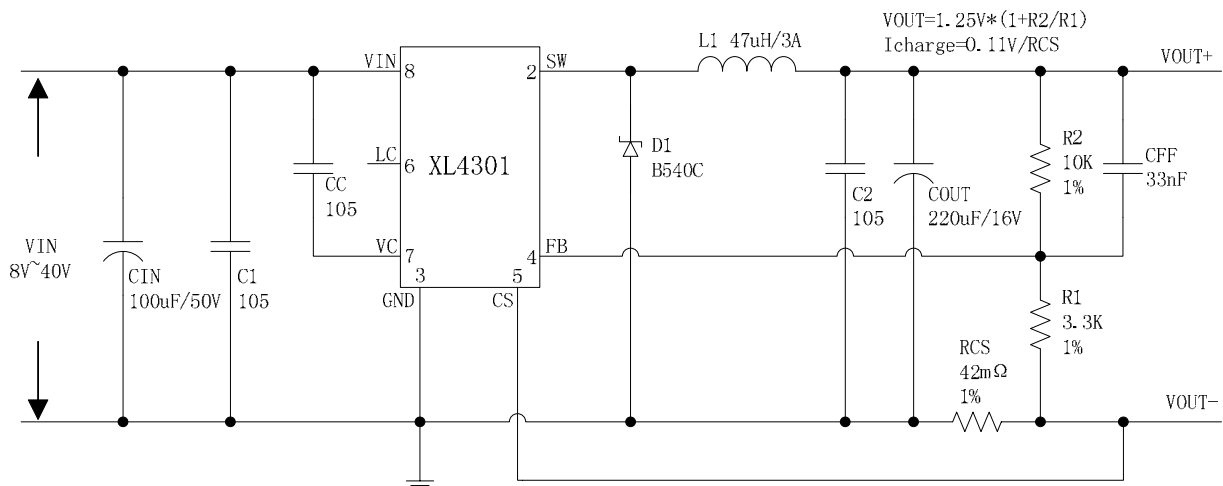


Figure4. XL4301 Typical Application Circuit

3A 180KHz 45V Buck DC/DC Converter With Constant Current Loop

XL4301

Ordering Information

Order Information	Marking ID	Package Type	Packing Type Supplied As
XL4301E1	XL4301E1	SOP8-EP	2500 Units on Tape & Reel

XLSEMI Pb-free products, as designated with “E1” suffix in the par number, are RoHS compliant.

Absolute Maximum Ratings (Note1)

Parameter	Symbol	Value	Unit
Input Voltage	V _{in}	-0.3 to 45	V
FB Pin Voltage	V _{FB}	-0.3 to V _{in}	V
SW Pin Voltage	V _{SW}	-0.3 to V _{in}	V
Power Dissipation	P _D	Internally limited	mW
Thermal Resistance (Junction to Ambient, No Heatsink, Free Air)	R _{JA}	60	°C/W
Maximum Junction Temperature	T _J	-40 to 150	°C
Operating Junction Temperature	T _J	-40 to 125	°C
Storage Temperature	T _{STG}	-65 to 150	°C
Lead Temperature (Soldering, 10 sec)	T _{LEAD}	260	°C
ESD (HBM)		>2000	V

Note1: Stresses greater than those listed under Maximum Ratings may cause permanent damage to the device. This is a stress rating only and functional operation of the device at these or any other conditions above those indicated in the operation is not implied. Exposure to absolute maximum rating conditions for extended periods may affect reliability.

3A 180KHz 45V Buck DC/DC Converter With Constant Current Loop	XL4301
---	--------

XL4301 Electrical Characteristics

T_a = 25 °C ; unless otherwise specified.

Symbol	Parameter	Test Condition	Min.	Typ.	Max.	Unit
<i>System parameters test circuit figure4</i>						
VFB	Feedback Voltage	V _{in} = 8V to 40V, V _{out} =5V I _{load} =0.2A to 2A	1.231	1.25	1.269	V
Efficiency	η	V _{in} =12V , V _{out} =5V I _{out} =2.5A	-	88	-	%

Electrical Characteristics (DC Parameters)

V_{in} = 12V, GND=0V, V_{in} & GND parallel connect a 100uF/50V capacitor; I_{out}=500mA, T_a = 25 °C ; the others floating unless otherwise specified.

Parameters	Symbol	Test Condition	Min.	Typ.	Max.	Unit
VIN operation voltage	V _{in}		8		40	V
VIN UVLO	V _{uvlo}			5		V
Quiescent Supply Current	I _q	V _{FB} =V _{in}		2	5	mA
Oscillator Frequency	F _{osc}		153	180	225	KHz
Switch Current Limit	I _L	V _{FB} =0		3.5		A
Output Power PMOS	R _{dson}	V _{FB} =0V, V _{in} =12V, I _{sw} =3A		75	100	mohm
Constant current sense Voltage	V _{cs}		104.5	110	115.5	mV
Thermal Shutdown temperature	OTP			165		°C
Thermal Shutdown Hysteresis				40		°C

3A 180KHz 45V Buck DC/DC Converter With Constant Current Loop XL4301

Typical System Application (Car Charger)

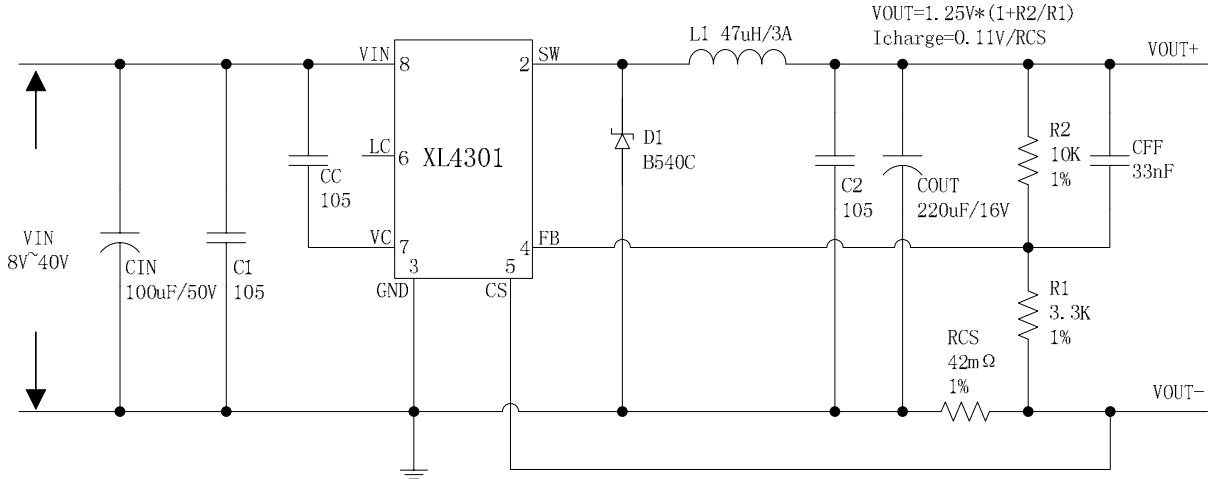


Figure5. XL4301 System Parameters Test Circuit (VIN=8V~40V, VOUT=5V/0.1A~2.5A)

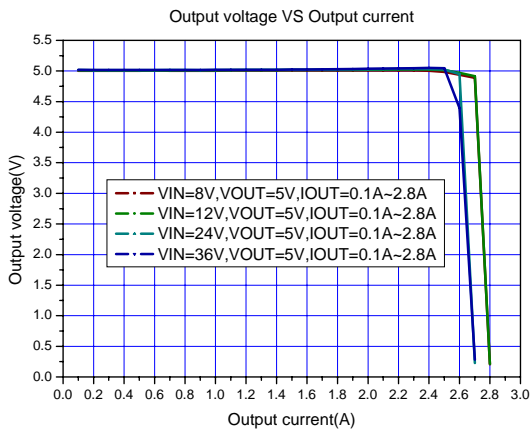


Figure6. Output Constant Current Curve

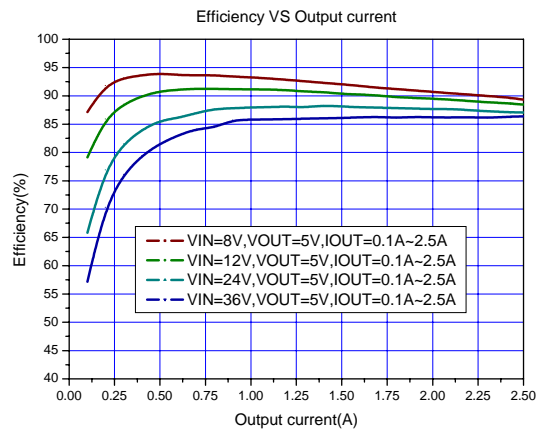


Figure7. Efficiency Curve

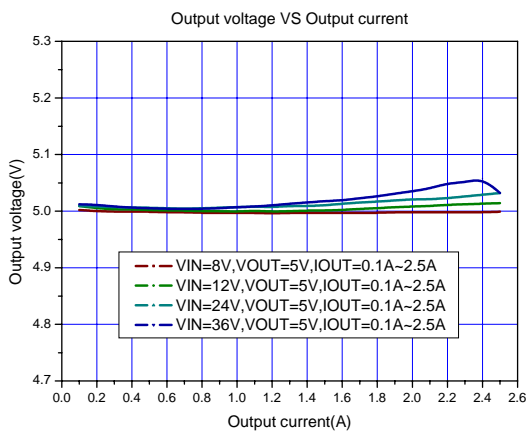


Figure8. Line&Load regulation Curve

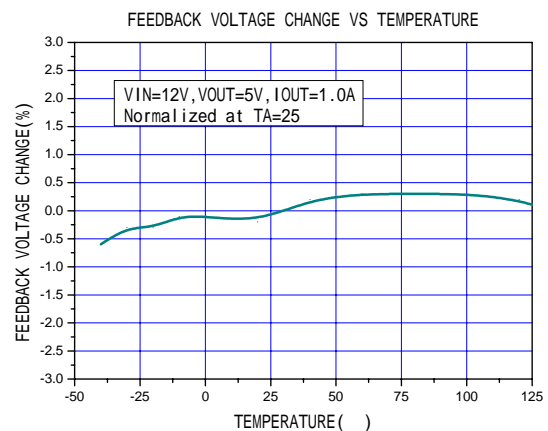


Figure9. Feedback voltage Curve

3A 180KHz 45V Buck DC/DC Converter With Constant Current Loop XL4301

Typical System Application (Car Charger, Output cable loss compensation)

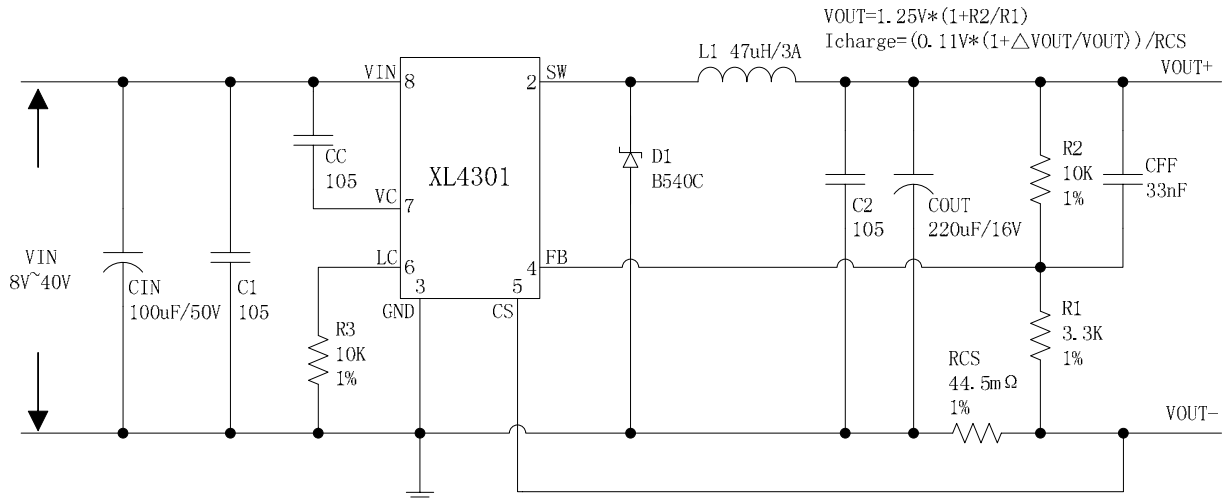


Figure10. XL4301 System Parameters Test Circuit (VIN=8V~40V, VOUT=5V/0.1A~2.5A)

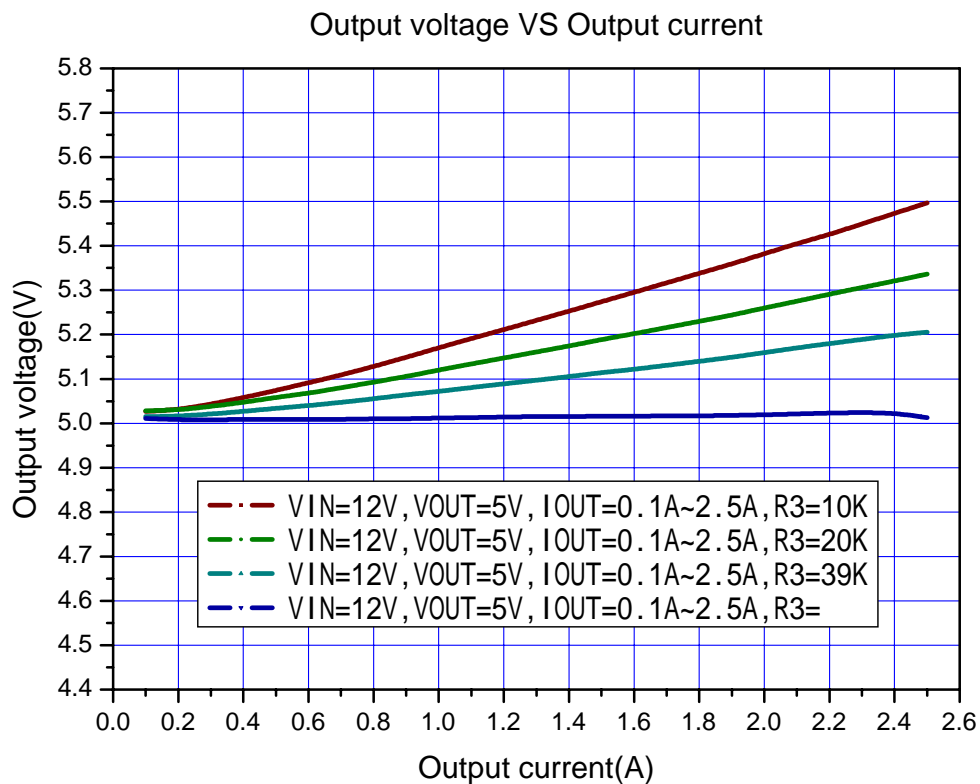


Figure11. Output Cable Loss Compensation Curve

3A 180KHz 45V Buck DC/DC Converter With Constant Current Loop

XL4301

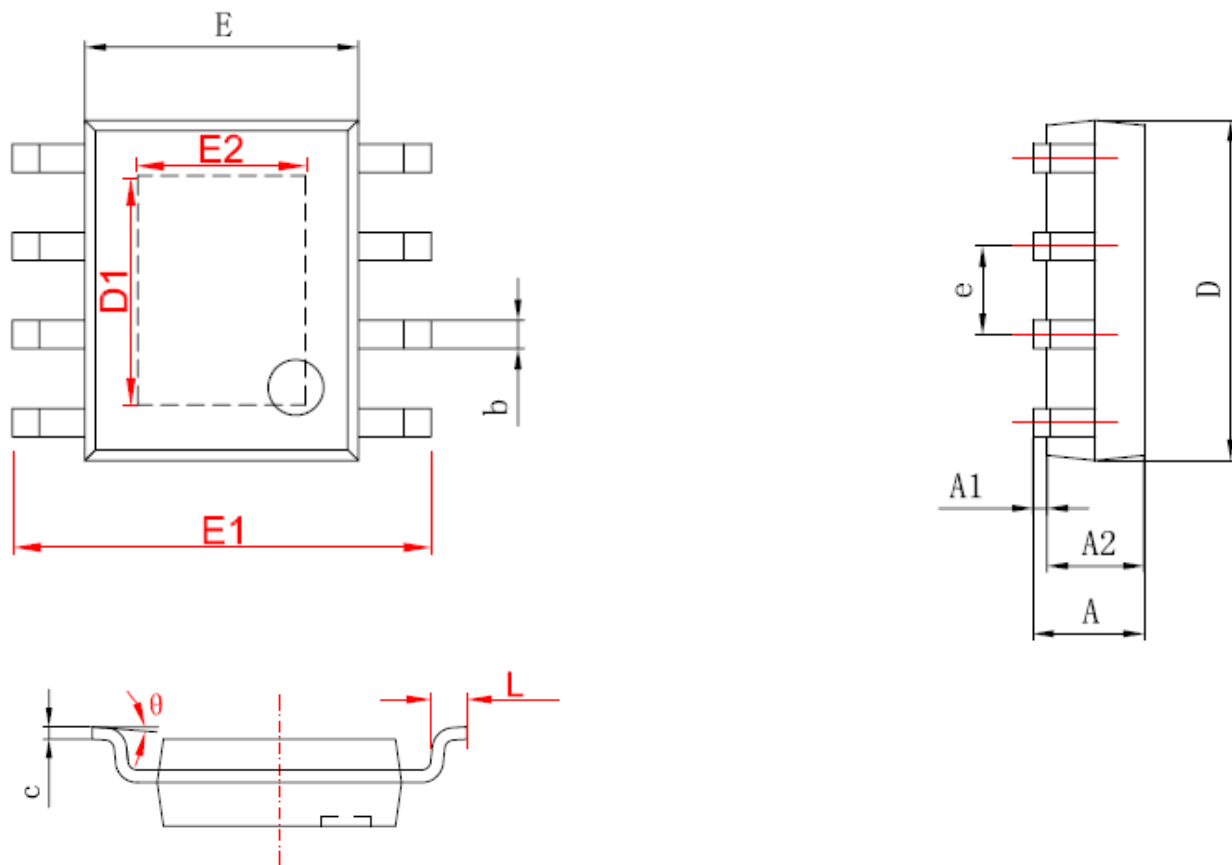
Table 2. Compensation Resistor(R3) and RCS Selection

IOUT(A)	Output Cable Loss Compensation Percent	R3(KΩ)	RCS(mΩ)
1	0	Floating	91
	1%	105	92
	5%	17.2	95.3
	10%	7	100
2.1	0	Floating	47.8
	5%	22.1	50
	10%	8.2	52.3
2.4	0	Floating	42.3
	5%	23.7	43.2
	10%	8.98	45.5

Schottky Diode Selection Table

Current	Surface Mount	Through Hole	VR (The same as system maximum input voltage)				
			20V	30V	40V	50V	60V
1A			1N5817	1N5818	1N5819		
3A			1N5820	1N5821	1N5822		
			MBR320	MBR330	MBR340	MBR350	MBR360
			SK32	SK33	SK34	SK35	SK36
				30WQ03	30WQ04	30WQ05	
				31DQ03	31DQ04	31DQ05	
			SR302	SR303	SR304	SR305	SR306
5A			1N5823	1N5824	1N5825		
			SR502	SR503	SR504	SR505	SR506
			SB520	SB530	SB540	SB550	SB560
			SK52	SK53	SK54	SK55	SK56
				50WQ03	50WQ04	50WQ05	

Package Information (SOP8-EP)



字符	Dimensions In Millimeters		Dimensions In Inches	
	Min	Max	Min	Max
A	1.350	1.750	0.053	0.069
A1	0.050	0.150	0.004	0.010
A2	1.350	1.550	0.053	0.061
b	0.330	0.510	0.013	0.020
c	0.170	0.250	0.006	0.010
D	4.700	5.100	0.185	0.200
D1	3.202	3.402	0.126	0.134
E	3.800	4.000	0.150	0.157
E1	5.800	6.200	0.228	0.244
E2	2.313	2.513	0.091	0.099
e	1.270 (BSC)		0.050 (BSC)	
L	0.400	1.270	0.016	0.050
theta	0°	8°	0°	8°

3A 180KHz 45V Buck DC/DC Converter With Constant Current Loop	XL4301
---	--------

Important Notice

XLSEMI reserve the right to make modifications, enhancements, improvements, corrections or other changes without notice at any time. XLSEMI does not assume any liability arising out of the application or use of any product described herein; neither does it convey any license under its patent rights, nor the rights of others. XLSEMI assumes no liability for applications assistance or the design of Buyers' products. Buyers are responsible for their products and applications using XLSEMI components. To minimize the risks associated with Buyers' products and applications, Buyers should provide adequate design and operating safeguards. XLSEMI warrants performance of its products to the specifications applicable at the time of sale, in accordance with the warranty in XLSEMI's terms and conditions of sale of semiconductor products. Testing and other quality control techniques are used to the extent XLSEMI deems necessary to support this warranty. Except where mandated by applicable law, testing of all parameters of each component is not necessarily performed.

For the latest product information, go to www.xlsemi.com.