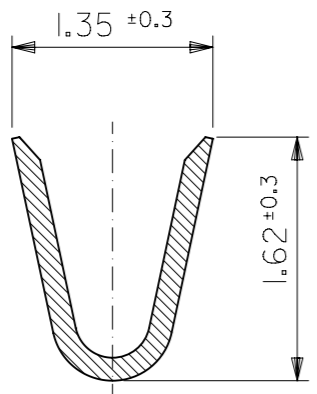
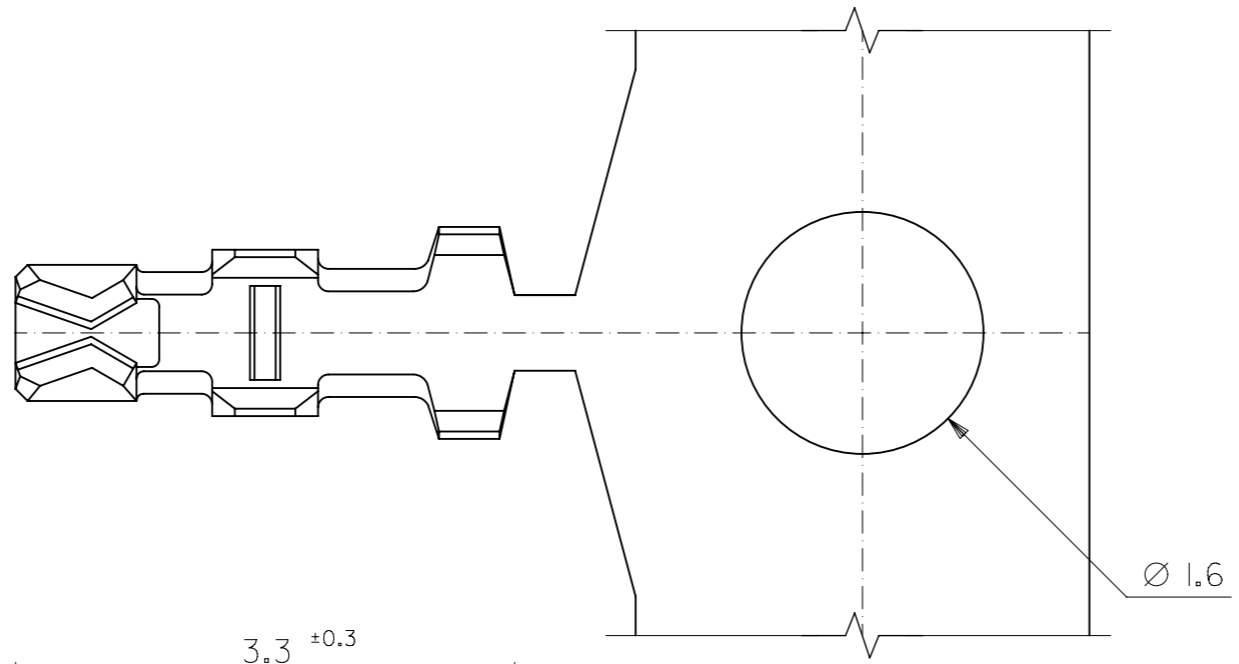


SECT. A-A

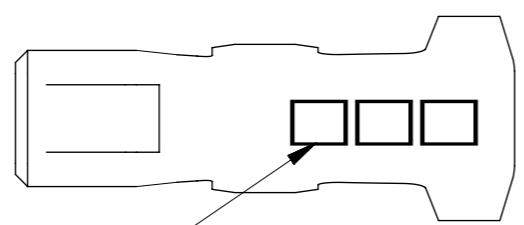
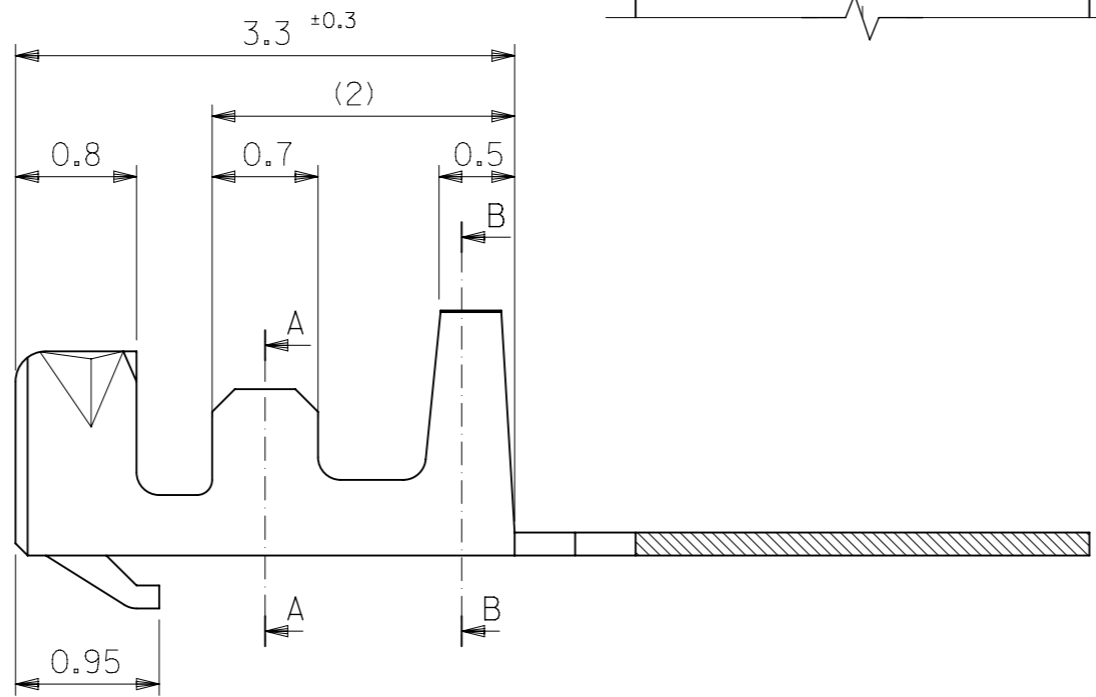
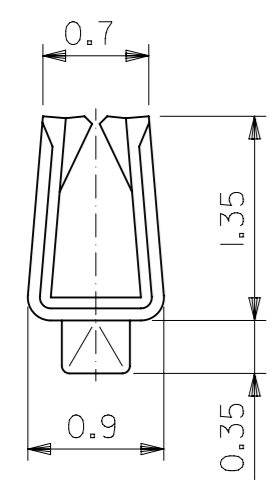


SECT. B-B



NOTE

- 適合ハウジング : 51021-****
APPLICABLE HOUSING: 51021-****
- めっき仕様 : 下記表参照
PLATING: SEE CHART
- 圧着条件については500580000-CSを参照。
PLEASE REFER TO CRIMP SPECIFICATION 500580000-CS.



トレードマーク
TRADE MARK

PRE-PLATED	LOOSE	50079-8100
REFLOW TREATED MATTE TIN: 0.9µm MIN.	CHAIN	50079-8000
PLATING	FORM	ORDER NO.

適用電線範囲 WIRE RANGE AWG:#26-#28	被覆外径 INSULATION RANGE Ø1.04MAX.	THIS DRAWING CONTAINS INFORMATION THAT IS PROPRIETARY TO MOLEX ELECTRONIC TECHNOLOGIES, LLC AND SHOULD NOT BE USED WITHOUT WRITTEN PERMISSION	
材料 MATERIAL りん青銅 PHOSPHOR BRONZE (t=0.15)		DIMENSION UNITS mm	SCALE 20:1
		CURRENT REV DESC:	
		EC NO: 170638	
		DRWN: SOBARA01 2018/01/09	
		CHK'D: AIDA 2018/01/18	
		APPR: TKANEKO 2018/01/18	
		INITIAL REVISION:	
		DRWN: ESUZUKI 2004/11/30	
		APPR: NUKITA 2004/12/06	
		THIRD ANGLE PROJECTION	DRAWING
			A3-SIZE
		SERIES	MATERIAL NUMBER
		50079	SEE CHART
		CUSTOMER	SHEET NUMBER
		GENERAL	1 OF 1
		DOCUMENT NUMBER SD-50079-001	
		DOC TYPE PSD	DOC PART 001
		REVISION J	

10 9 8 7 6 5 4 3 2 1

F

F

E

E

D

D

C

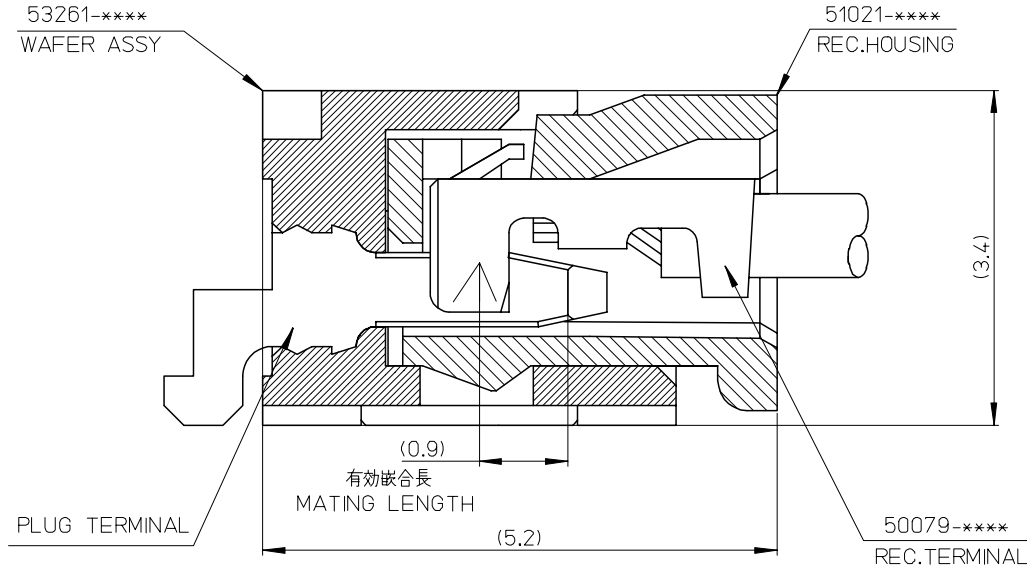
C

B

B

A

A



53261-****	WAFER ASSY	MODEL NO./MATERIAL NO.
50079-****	TERMINAL	
51021-****	HOUSING	

RELEASED EC NO: J2006-2426 DRWN: A0YAGI 2006/02/02 CHKD: YMAEDA 2006/02/03 APPR: NUKITA 2006/02/07	GENERAL TOLERANCES (UNLESS SPECIFIED)		DIMENSION STYLE MM ONLY		SCALE ---	DESIGN UNITS METRIC	THIRD ANGLE PROJECTION	
	10 UNDER	± ---	DRAWN BY Y. A0YAGI	DATE 2006/01/30	TITLE 1.25 W-TO-B CONN. 51021,53261 MATING CROSS SECTION			
	10 OVER 30 UNDER	± ---	CHECKED BY Y. MAEDA	DATE 2006/01/30	APPROVED BY N. UKITA			
	30 OVER	± ---	APPROVED BY N. UKITA		DATE 2006/01/30	MOLEX INCORPORATED		
	ANGULAR	± --- °	MATERIAL NO.		DOCUMENT NO. SD-51021-002	SHEET NO. 1 OF 1		
0	REV	DRAFT WHERE APPLICABLE MUST REMAIN WITHIN DIMENSIONS		SEE CHART		THIS DRAWING CONTAINS INFORMATION THAT IS PROPRIETARY TO MOLEX INCORPORATED AND SHOULD NOT BE USED WITHOUT WRITTEN PERMISSION		

9

8

7

6

5

4

3

2