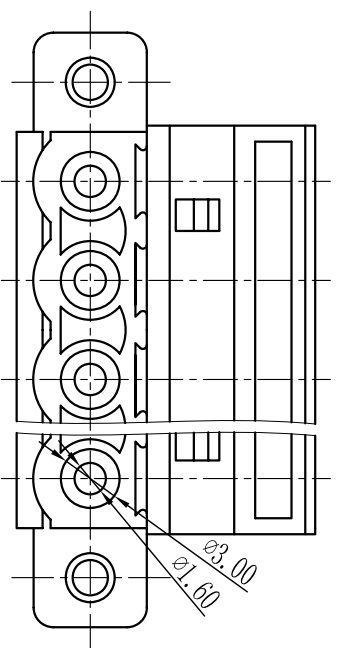
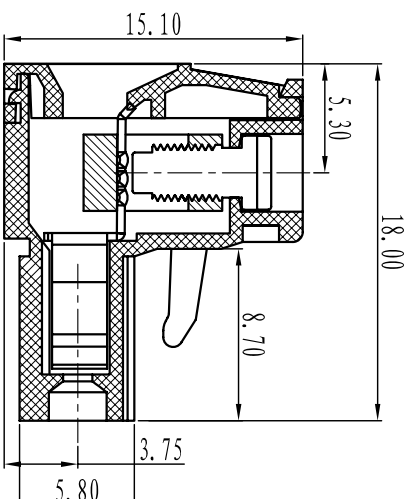
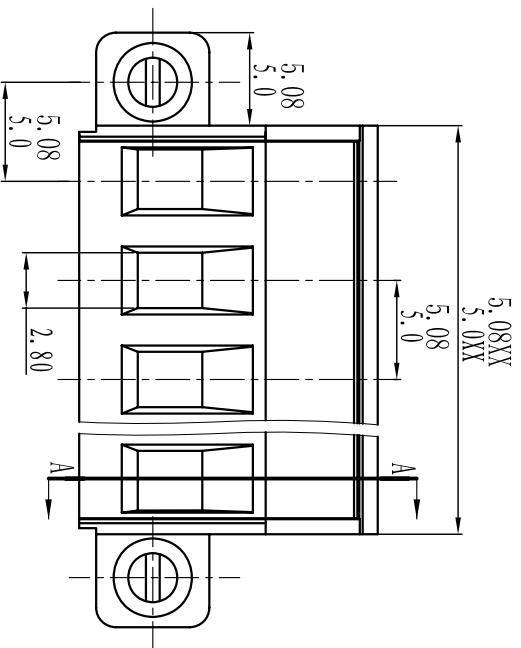




Cixi Dibo Electronics Co.,LTD

产品规格书
product specification



SECTION A-A

电气性能/Electrical

参考标准/Standard: UL IEC
 额定电压/Rated voltage: 300V 320V
 额定电流/Rated current: 15A 20A
 接触电阻/Contact resistance: 20m Ω
 使用线径/Wire range: 28-14AWG 2.5mm²
 耐电压/Withstanding voltage: AC2000V/Min
 绝缘电阻/Insulation resistance: 500M Ω /DC500V

机械性能/Mechanical

温度范围/Temp.Range: -40 $^{\circ}$ C⁺105 $^{\circ}$ C
 扭矩/Torque: 0.5Nm (4.5lb`in)
 剥线长度/Strip length: 7-8mm

尺寸/Dimensions

间距/Pitch: 5.00mm,5.08mm

极数/Poles: 2P-24P

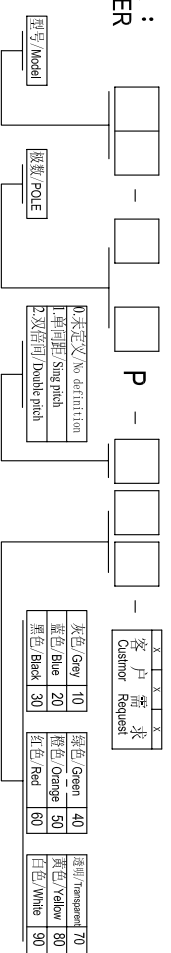
材料及电镀/Material

塑件/Housing: PA66, UL94V-0
 螺丝/Screws: M3, 0, steel Zinc plated
 方块/Wire guard: Brass, Ni plated
 簧片/Clamp: Phosphor bronze, Ni plated

TOLERANCES EXCEPT AS NOTED

	Linear dimension	fillet	chamfer	短角	短角侧边	倒角	倒角侧边	公差
variable range	6 to 30	6 to 30	6 to 30	10 to 50	10 to 50	5 to 30	5 to 30	±0.1 to ±0.2
tolerance	±0.1 to ±0.2	±0.3 to ±0.5	±0.9 to ±0.2	±0.5 to ±1	1 $^{\circ}$ to 30 $^{\circ}$	20 $^{\circ}$ to 10 $^{\circ}$	0.5 to 0.12	0.025 to 0.4

订购方式：
HOW TO ORDER



单位/UNITS mm 尺寸/SIZE A4 比例/SCALE

Cixi Dibo Electronics Co.,LTD

第一视角/FIRST ANGLE PROJECTION

名称/NAME DB2EKM-5.0/5.08

颜色/Color	定义/Definition	客户需求/Custom Request
灰色/Gray	10	X
蓝色/Blue	20	X
黑色/Black	30	X
绿色/Green	40	X
橙色/Orange	50	X
红色/Red	60	X
透明/transparent	70	X
黄色/Yellow	80	X
白色/White	90	X