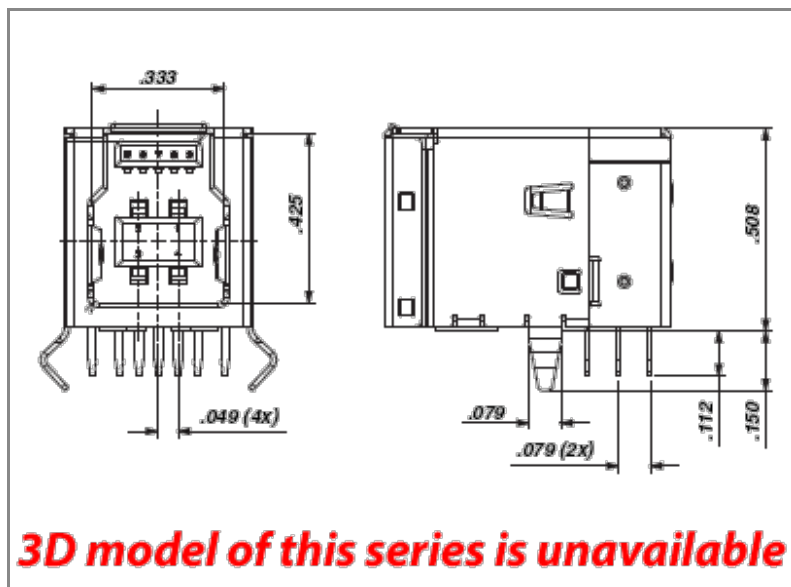


PRODUCT NUMBER: 897-46-009-90-300000



DESCRIPTION

USB Connector
 Type B
 USB 3.0
Rows: Single Row (1)
Clip Grid: 90
Pin Window Pattern 300
Plating Code:
Shell: Terminals: Tin Plated
Inner Contact: 30 μ" Gold
Insulator Pin Clip Type: 000
Mounting Type: Through Hole Solder Mount
Packaging: Packaged in Trays
Insulator Information:
 High Temperature

# Pins	Qty Tube	ROHS Compliant
--------	----------	----------------

9

80



ADDITIONAL NOTES & SPECIFICATIONS

In the interest of improved design, quality and performance, Mill-Max reserves the right to make changes in its specifications without prior notice. Specifications and tolerances are provided wherever possible. Due to the wide variety of interconnects Mill-Max offers, the specific tolerances vary from product to product. If you need information regarding the tolerance of a particular part, please contact Technical Services.

© 2020 Mill-Max Mfg. Corp.
 190 Pine Hollow Rd , Oyster Bay, NY 11771, USA
 Phone: 516.922.6000