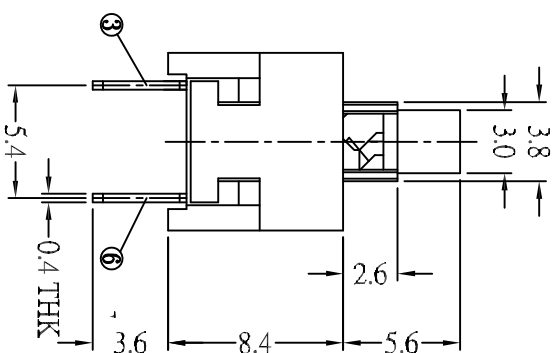
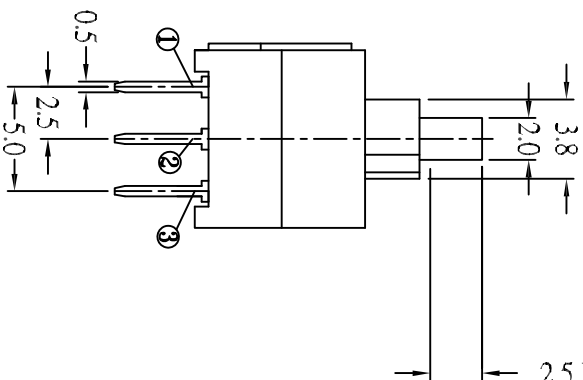


SCHEMATIC (NON-SHORTING)

2.5 FULL STROKE



**P.C.B LAYOUT
BOTTOM VIEW**

- FEATURES**
- Light operating force.
 - Long term low contact resistance.
 - Momentary or latching operation.
 - Short stroke 2.0mm to latch.
 - Compact spacing on PCB of 8.5mm.

SPECIFICATIONS

1.ELECTRICAL

● Contact rating	0.1A, 30VDC
● Contact resistance	50mV/Max
● Insulation resistance	100MΩ/Min. at 250VDC
● Dielectric strength	250VAC Min. for 60 sec.

2.MECHANICAL AND ENVIRONMENTAL

● Temperature rating	Operating: -15°C to +55°C Storage: -25°C to +65°C
● Operation force	160±80gf
● Stroke	Lock Stroke: 2.0±0.2mm Full Stroke: 2.5±0.2mm
● Operating life	full load: 1x10 ⁴ cycles no load: 1x10 ⁵ cycles
● Contact form	DPDT

PAPT NO	XKB8585-1-X-140
OPERATION	W:NO LOCK Z:LOCK

ITEM	PAPT NAMF	TERNQ	QTY	MATERIAL	FINISHING	REMARK
①	Contact	—	2	Phosphor bronze	Plating silvering	—
②	Terminal	—	6	Brass	Plating silvering	—
③	Spring	—	1	Sus	Natural	—
④	Base	—	1	Pbt	—	—
⑤	Crochet Needle	—	1	Sus	Natural	—
⑥	Cover	—	1	Pom	—	—
⑦	Keystake	—	1	Pom	—	—

DSND	DATE	SCALE: N/A	MODEL TYPE:	KEY SWITCH
DWN	DATE	VIEW:	PART NO.:	
CHKD	DATE	UNIT: mm	DWG NO.:	
APPD	DATE	SIZE: A4	XKB8585-1-X-140	

XKB INDUSTRIAL PRECISION CO., LIMITED				
WEIGHT	SHEET	REVISION		
1.0g	1/1	A0		

ΔX	ANGULAR	±5°
ΔX	X.X	±0.2mm
ΔX	X.XX	±0.1mm
ΔX	X.XXX	±0.05mm

MARK	DESCRIPTION	DATE	REVISED	APPROVED	UNSPECIFIED TOLERANCES