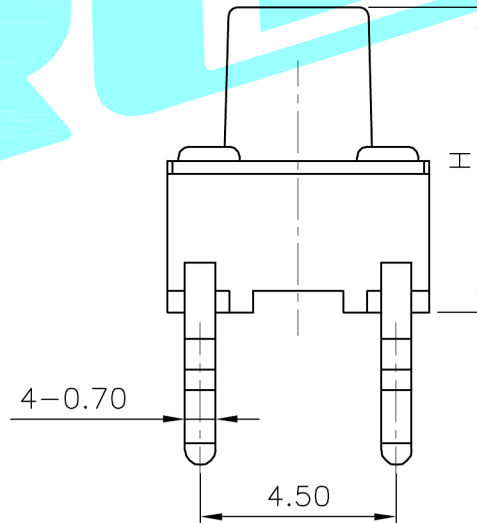
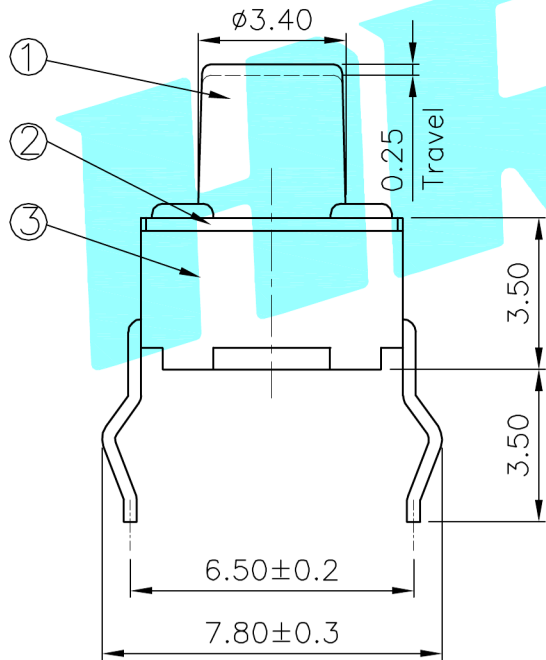


Circuit Diagram

PCB Layout(Pattern side)



| NO.2    |        |
|---------|--------|
| PART NO | vigor  |
| 1       | 90±30  |
| 2       | 130±30 |
| 3       | 180±30 |
| 4       | 250±30 |
| 5       | 350±50 |

| NO.1    |      |         |      |
|---------|------|---------|------|
| PART NO | H    | PART NO | H    |
| A       | 4.3  | O       | 11   |
| B       | 4.5  | P       | 11.5 |
| C       | 5    | Q       | 12   |
| D       | 5.5  | R       | 12.5 |
| E       | 6    | S       | 13   |
| F       | 6.5  | T       | 13.5 |
| G       | 7    | U       | 14   |
| H       | 7.5  | V       | 15   |
| I       | 8    | W       | 16   |
| J       | 8.5  | X       | 17   |
| K       | 9    | Y       | 18   |
| L       | 9.5  | Z       | 19   |
| M       | 10   | 1       | 15.5 |
| N       | 10.5 |         |      |

| NO.3    |              |
|---------|--------------|
| PART NO | MATERIAL/QTY |
| S       | SUS/1PC      |
| C       | C5210/1PC    |
| D       | SUS/2PCS     |
| F       | C5210/2PCS   |

| NO.4-NO.5 |               |
|-----------|---------------|
| PART NO   | NOTE          |
| 01~99     | SERIAL NUMBER |

| ⑤    | Terminal  | —       | 4    | Brass(0.30t) | Plating silver | —      |
|------|-----------|---------|------|--------------|----------------|--------|
| ④    | Contact   | —       | 1    | F.Ag/SUS     | —              | —      |
| ③    | Base      | —       | 1    | Nylon        | Black          | —      |
| ②    | Cover     | —       | 1    | SPCC         | Plating Nickel | —      |
| ①    | Keystoke  | —       | 1    | Nylon        | Black          | —      |
| ITEM | PART NAME | TER'NO. | QTY. | MATERIAL     | FINISHING      | REMARK |

| APPROVALS |           | DATE      | HRO 翰泰<br>ELECTRONICS CO.,LTD |   |             |                           |
|-----------|-----------|-----------|-------------------------------|---|-------------|---------------------------|
| DRAWN     | J.X.Zhang | 2013/5/30 | TITLE:                        | TACT SWITCHS  |             |                           |
| CHECKED   |           |           | PART NO.                      | K2-1102DP-□□□W-□□                                     |             |                           |
| APPROVALS |           |           | TOLERANCES ARE                | 30~以下: ±0.30<br>10~30 ±0.20<br>5~10 ±0.15<br>~5 ±0.10 | ANGLE       | UNIT: mm SCALE: 1:1 PROJ: |
|           |           |           |                               | ±2'   | DRAWING NO. | SHEET 1 OF 1              |

| ECN NO. | REV. | DATE. | DESCRIPTION. | CHANGE. | CHECK. | APPRO. |
|---------|------|-------|--------------|---------|--------|--------|
|         | A    |       | NEW          |         |        |        |