

MAPX	MODIFICATION	DATE
------	--------------	------

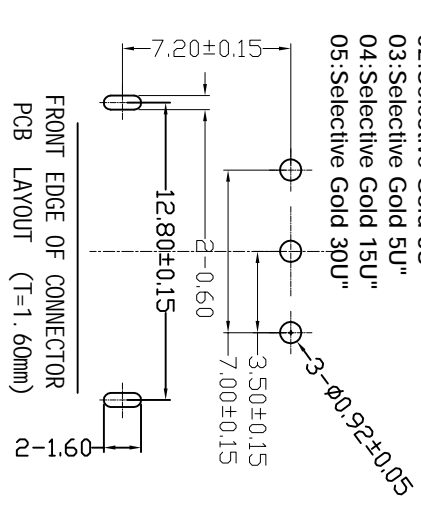
NOTES:
 1. HOUSING: SEE NOTES, UL94V-0 .
 TERMINAL: SEE NOTES.
 SHELL: SEE NOTES.
 SPECIFICATION:

1. ELECTRICAL CHARACTERISTIC:
 CONTACT RESISTANCE: 30MΩ MAX
 DIELECTRIC WITHSTANDING VOLTAGE: 500V AC FOR 1MIN
 INSULATION RESISTANCE: 1000MΩ MIN

2. MECHANICAL CHARACTERISTIC:
 INSERTION FORCE: 35N(3.57KGF) MAX
 EXTRACTION FORCE: 10~35N(1.02~3.57KGF)MIN
 DURABILITY: 1500 CYCLES EXTRACTION FORCE:10~35N
 5000 CYCLES MIN

3. ENVIRONMENTAL:
 OPERATING TEMPERATURE: -55℃+85℃

4. Contact finish:
 01: Selective Gold Flash
 02: Selective Gold 3U"
 03: Selective Gold 5U"
 04: Selective Gold 15U"
 05: Selective Gold 30U"



产品图
 PRODUCT CHART DVG

深圳市精拓金电子有限公司

公差一览表		单位		MM	
TOLERANCE UNLESS OTHERWISE	公差	UNITS	UNIT	UNIT	UNIT
X	±0.25	X	±5°	Z-Y-B	制图料号
X	±0.20	X	±2°	比例	1:1
XX	±0.15	XX	±1°	日期	2013.10.24
XXX	±0.10	XXX	±0.5°	DATE	

制图	DRAWING	审核	CHKD	制图料号	PRODUCT PART NO.
日期	DATE	核准	APPD	产品名称	PRODUCT ND
				USB A/F 封闭式90度 2/3线路定向成品	
				方法	VER
				版本	AD