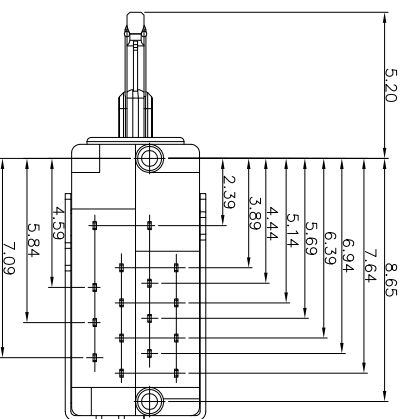
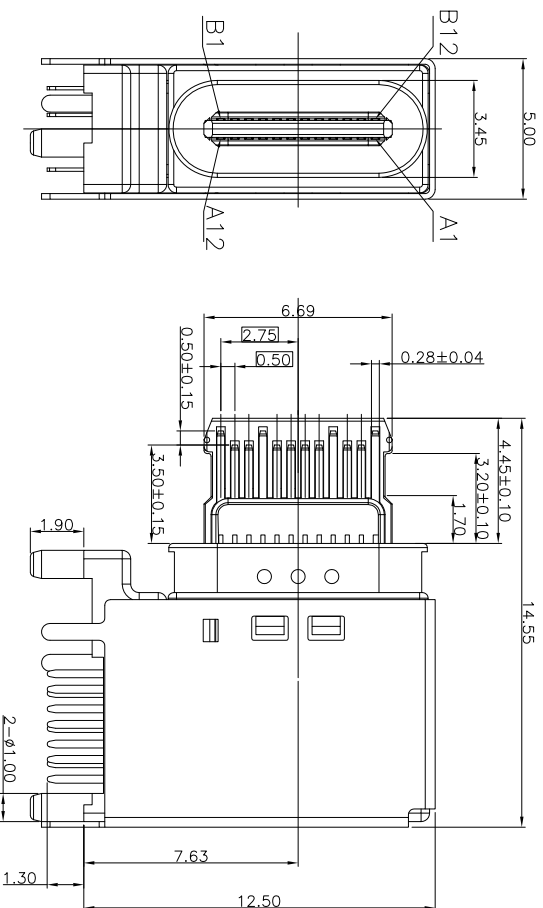
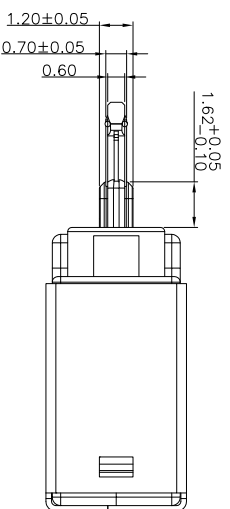


REV	MODIFICATION	DATE
A0	胶芯变更	2013.12.20

NOTES:

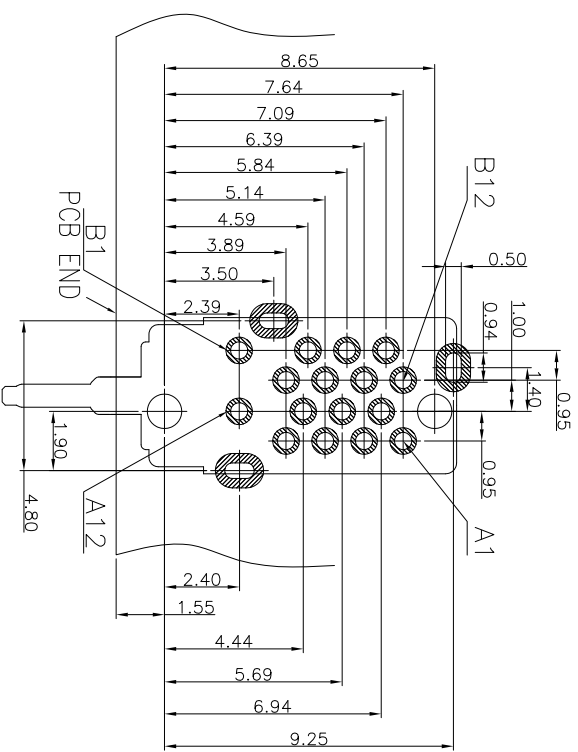
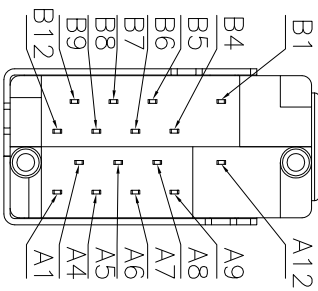
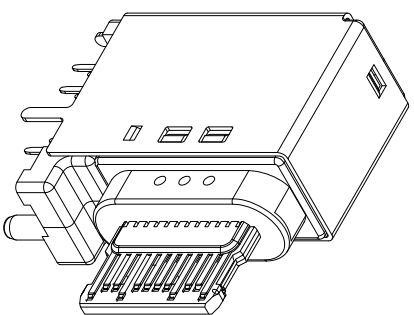
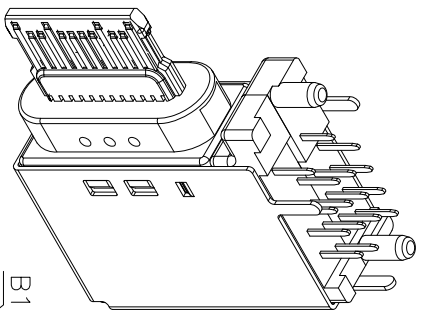
- MATERIAL:
MOLDING: LCP UL94 V-0
CONTACT: COPPER ALLOY.
GOLD PLATED Min ON CONTACT AREA, 100u"
Min TIN (LEAD FREE) ON SOLDER AREA,
50u" NICKEL PLATING OVER ALL.
SHELL: SUS304-H,T=0.30±0.03mm
SHILD: SUS304-H,T=0.12±0.03mm
- MECHANICAL:
INSERTION: 5~20N.
EXTRACTION: 8~20N AFTER TEST.
DURABILITY: 10000 CYCLES
- ELECTRICAL:
CURRENT: 5A FOR VBUS;
1.25A FOR GND PIN.
0.25A FOR OTHER.
VOLTAGE: 20 V MAX
WITHSTANDING VOLTAGE: 100V AC R.M.S.
CONTACT RESISTANCE: 40mΩ MAX.
INSULATION RESISTANCE: 100MΩ MIN.
4. ENVIRONMENTAL
TEMPERATURE RANGE -25°C ~ +85°C



产品图
PRODUCT CHART DWG

深圳市精拓金电子有限公司

公差一览表		单位		制图		制图料号	
TOLERANCE UNLESS OTHERWISE	UNITS	DRAWING	MM	Gavin	PRODUCT PART NO.	USB TYPE C 侧插母座三脚插板	版本
X ±0.25	X	审核	1:1	郭治富	PRODUCT NAME		AD
X ±0.20	X	CHD	SCALE	核准	角法	REV	
XX ±0.15	XX	APPD	DATE	黄国荣	VIEW		
XXX ±0.10	.XXX		2016.08.25				



RECOMMEND P.C.B LAYOUT (THICKNESS=0.1mm)
(COMPONENT SIDE) TOLERANCE±0.02

REV	MODIFICATION	DATE
A0	胶芯变更	2013.12.20

USB TYPE-C FULL-FEATURED RECEPTACLE INTERFACE PIN ASSIGNMENTS

Pin	Signal Name	Description	Pin	Signal Name	Description
A1	GND	Ground return	B12	GND	Ground return
A2	SSTXp1	Positive half of first SuperSpeed TX differential pair	B11	SSRXp1	Positive half of first SuperSpeed RX differential pair
A3	SSTXn1	Negative half of first SuperSpeed TX differential pair	B10	SSRXn1	Negative half of first SuperSpeed RX differential pair
A4	Vbus	Bus Power	B9	Vbus	Bus Power
A5	CC1	Configuration Channel	B8	SBU2	Sideband Use (SBU)
A6	Dp1	Positive half of the USB 2.0 differential pair-Position 1	B7	Dn2	Negative half of the USB 2.0 differential pair-Position 2
A7	Dn1	Negative half of the USB 2.0 differential pair-Position 1	B6	Dp2	Positive half of the USB 2.0 differential pair-Position 2
A8	SBU1	Sideband Use (SBU)	B5	CC2	Configuration Channel
A9	Vbus	Bus Power	B4	Vbus	Bus Power
A10	SSRXp2	Negative half of second SuperSpeed RX differential pair	B3	SSTXn2	Negative half of second SuperSpeed TX differential pair
A11	SSRXp2	Positive half of second SuperSpeed RX differential pair	B2	SSTXp2	Positive half of second SuperSpeed TX differential pair
A12	GND	Ground return	B1	GND	Ground return

产品图
公差一览表
PRODUCT CHART DWG

深圳市精拓金电子有限公司

公差一览表		制图		制图料号	
TOLERANCE UNLESS OTHERWISE	公差	DRAWING	审核	PRODUCT PART NO.	产品名称
X ±0.25	X ±5°	MM	郭治富	USB TYPE C 侧插母座PCB板	
X ±0.20	X ±2°	SCALE	核准	角法	版本
XX ±0.15	XX ±1°	日期	黄国荣	REV	AD
XXX ±0.10	XXX ±0.5°	DATE	2016.08.25		

G 1 2 3 4 5 6 7 8 9 10 G
F F
E E
D D
C C
B B
A A