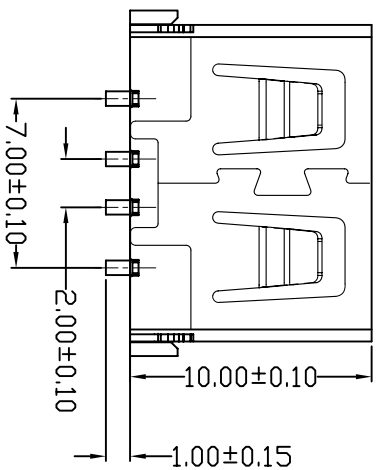
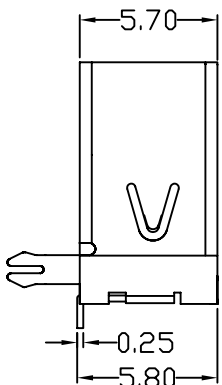
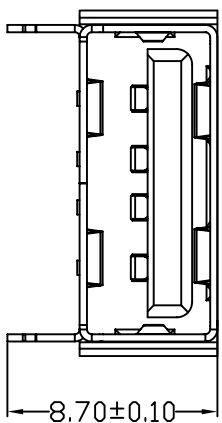
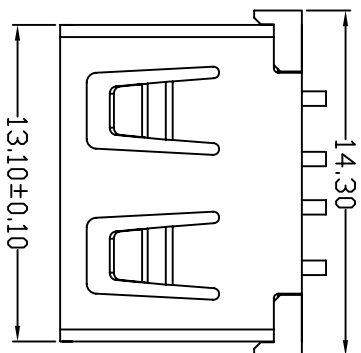


# D款，正向10.0后两脚，SMT-\*5.70



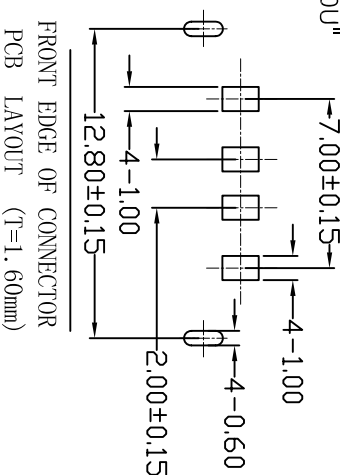
MAPX	MODIFICATION	DATE
------	--------------	------

NOTES:  
 1. HOUSING: SEE NOTES, UL94V-0.  
 TERMINAL: SEE NOTES.  
 SHELL: SEE NOTES.

SPECIFICATION:  
 1. ELECTRICAL CHARACTERISTIC:  
 CONTACT RESISTANCE: 30MΩ MAX  
 DIELECTRIC WITHSTANDING VOLTAGE: 500V AC FOR 1MIN  
 INSULATION RESISTANCE: 1000MΩ MIN  
 2. MECHANICAL CHARACTERISTIC:  
 INSERTION FORCE: 35N(3.57KGF) MAX  
 EXTRACTION FORCE: 10~35N(1.02~3.57KGF)MIN  
 DURABILITY: 1500 CYCLES EXTRACTION FORCE:10~35N  
 5000 CYCLES MIN

3. ENVIRONMENTAL:  
 OPERATING TEMPERATURE: -55°C+85°C

4. Contact finish:  
 01: Selective Gold Flash  
 02: Selective Gold 3U"  
 03: Selective Gold 5U"  
 04: Selective Gold 15U"  
 05: Selective Gold 30U"



## 产品图

## 深圳市精拓金电子有限公司

公差一览表		单位	MM	制图	Z-Y-B	制料号	JTJ-USB-10.0-002
TOLERANCE UNLESS OTHERWISE		UNITS		DRAWING		PRODUCT PART NO	
X	±0.25	X	±5°	审核		产品名称	USB A/F 10.0无边后两脚鱼叉(方弹)
X	±0.20	X	±2°	CHKD		PRODUCT NO	
XX	±0.15	XX	±1°	核准		角法	
XXX	±0.10	XXX	±0.5°	APRD		版本	AD
DATE	20120924	DATE				VER	

1 2 3 4 5 6 7 8 9 10