

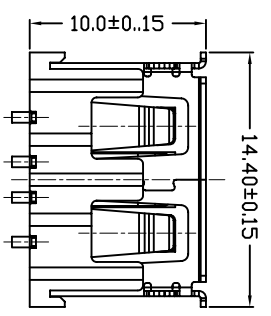
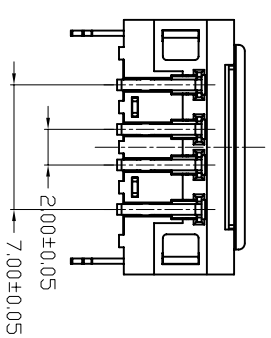
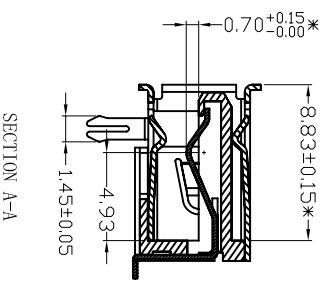
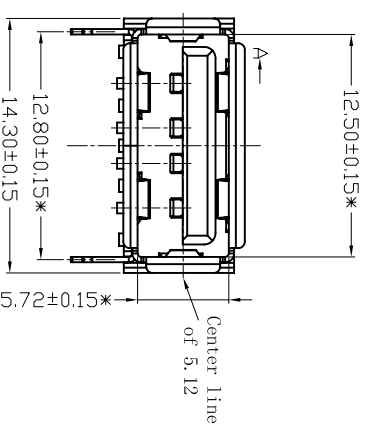
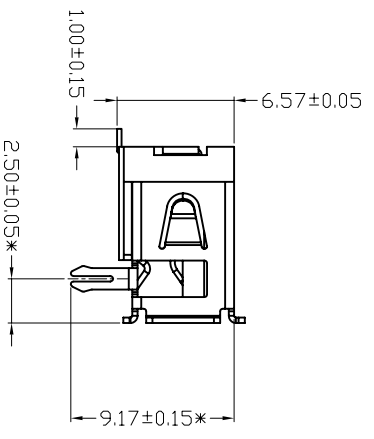
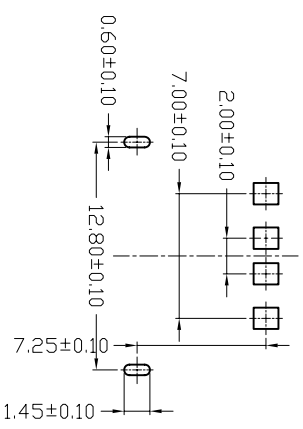
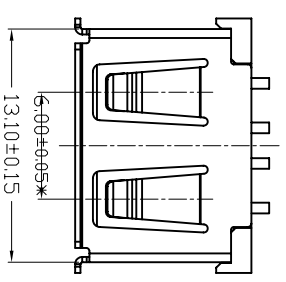
MAPX	MODIFICATION	DATE
------	--------------	------

NOTES:

1. HOUSING: SEE NOTES.
 TERMINAL: SEE NOTES.
 SHELL: SEE NOTES.

SPECIFICATION:

- ELECTRICAL CHARACTERISTIC:
 CONTACT RESISTANCE: 30MΩ MAX
 DIELECTRIC WITHSTANDING VOLTAGE: 500V AC FOR 1MIN
 INSULATION RESISTANCE: 1000MΩ MIN
- MECHANICAL CHARACTERISTIC:
 INSERTION FORCE: 35N(3.57KGF) MAX
 EXTRACTION FORCE: 10~35N(1.02~3.57KGF) MIN
 DURABILITY: 1500 CYCLES EXTRACTION FORCE: 10~35N
 3000 CYCLES MIN
 5000 CYCLES EXTRACTION FORCE: 3~35N
- ENVIRONMENTAL:
 OPERATING TEMPERATURE: -55°C~85°C
- Contact finish:
 01: Selective Gold Flash
 02: Selective Gold 30"
 03: Selective Gold 50"
 04: Selective Gold 150"
 05: Selective Gold 300"



产品图
PRODUCT CHART DWG

深圳市精拓金电子有限公司

公差一览表

TOLERANCE UNLESS OTHERWISE	公差	UNIT	制图	制图料号
X	±0.25	X	±5°	JTJ-USB AF 10.0-C-002
X	±0.20	X	±2°	产品名称
XX	±0.15	XX	±1°	PRODUCT NO
XXX	±0.10	XXX	±0.5°	角法

1 2 3 4 5 6 7 8 9 10

G F E D C B A