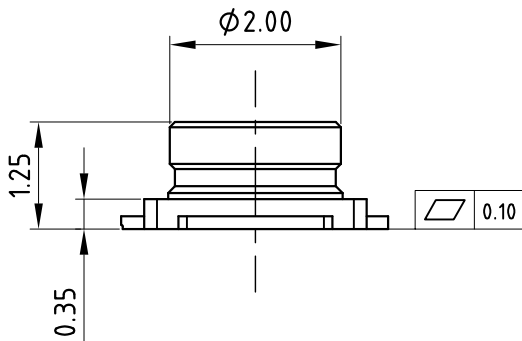
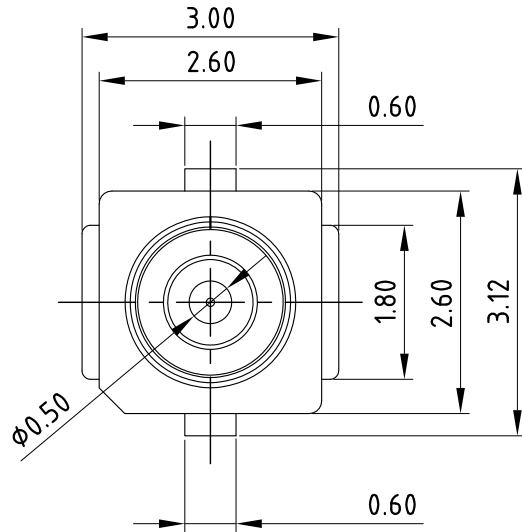


Kinghelm®

AN B 0 200 1 - 1 2 5

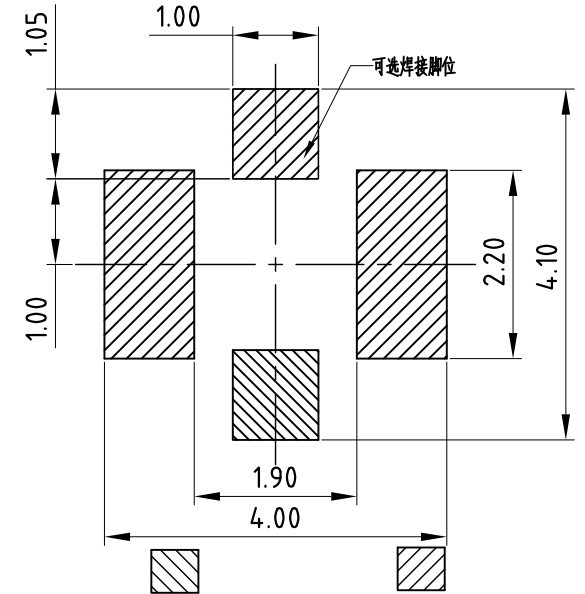
AN=ANTENNA
 B=BOARD END
 0=STANDARD HEIGHT
 200=OUTER DIAMETER
 GROUND CONTACT PLATING
 1=Au 1u" Min.

WITH CHAMFER
 (5000PCS/R)
 2=STREAM CODE
 1=1st GENERATION



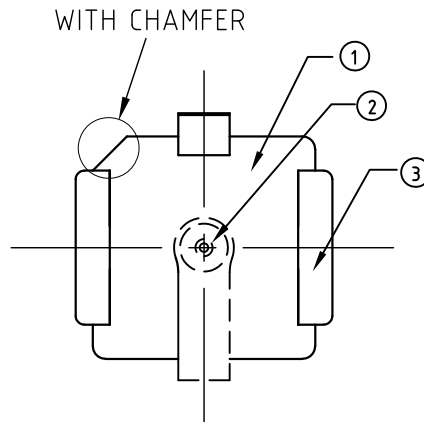
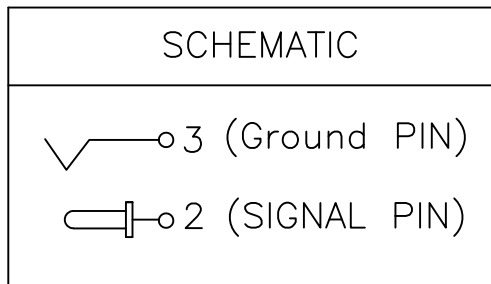
NOTES:

- FREQUENCY RANGE:
DC TO 6GHZ (VSWR: 1.3MAX AT 0.1~3GHZ, 1.4MAX AT 3~6GHZ)
- CHARACTERISTIC IMPEDANCE: 50Ω(NOMINAL);
- TEMPERATURE: -40°C TO +90°C;
- RATED VOLTAGE : 60VAC;
- CONTACT RESISTANCE :
20mΩ MAX.(SIGNAL CONTACT)
20mΩ MAX.(GROUND CONTACT)
- WITHSTAND VOLTAGE : 200VAC FOR 1 MINUTE MIN;
- INSULATION RESISTANCE : 500MΩ MIN. AT 100VDC;
- THIS COMPONENT IS HALOGEN FREE.



SIGNAL CONTACT GROUND CONTACT

P.C.B DIMENSION (TOP VIEW)
(TOLLERRANCE ±0.05)



3	GROUND CONTACT	1	COPPER ALLOY	GOLD FLASH OVER Ni PLATED OVERALL.
2	CONTACT	1	COPPER ALLOY	GOLD FLASH OVER Ni PLATED OVERALL.
1	HOUSING	1	THERMOPLASTIC	UL94V-0
ITEM	NAME	Q'TY	MATERIAL	FINISH

TOLERANCES UNLESS OTHERWISE SPECIFIED				深圳市金航标电子有限公司		WWW.BDS666.COM	
X.	±0.25	X.°	±2°	KH-IPEX-K501-29		0755-83044319	
.X	±0.20	.X°	±1°	SERIES: RF 1G BOARD END		TITLE: RF 1G H TYPE BOARD END	
.XX	±0.15	.XX°	±0.5°	APPD: 王宁 2018/07/09		PART No.: ANB02001-125	
THESE DRAWINGS AND SPECIFICATIONS ARE THE PROPERTY OF KUNSHAN COCENTRA ELECTRONICS CO.,LTD. AND SHALL NOT BE REPRODUCED, COPIED OR USED IN ANY MANNER WITHOUT THE PRIOR WRITTEN CONSENT OF KUN SHAN COCENTRA ELECTRONICS CO.,LTD.				CKD: 段国强 2018/07/09		DWG No.: 307-0000-0193	
				DR: 段国强 2018/07/09			
UNITS		MAT'L		FINISH		SCALE	
MM		N/A		N/A		1:1	
						SHEET	
						1/1	
						REV.	
						A	