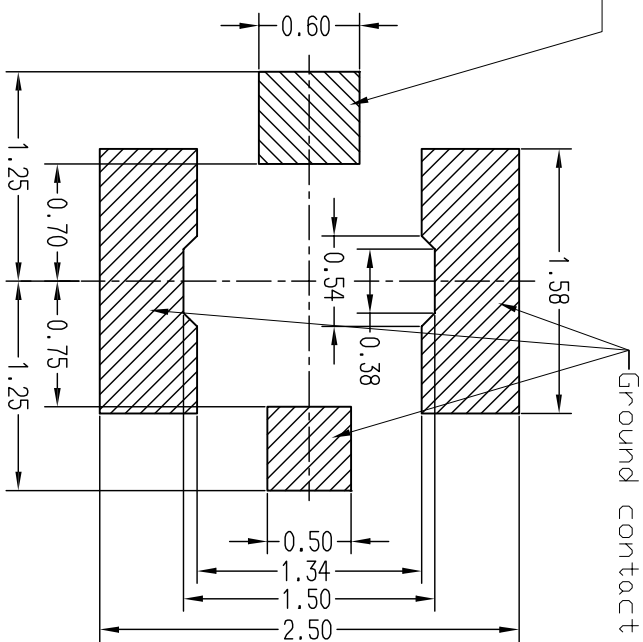
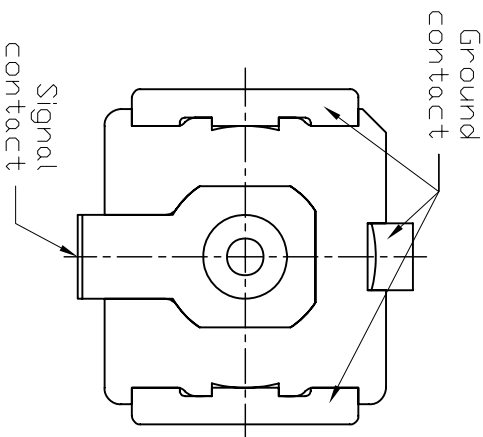


SECTION: A-A



SIGNAL CONTACT GROUND CONTACT  
P.C.B DIMENSION (TOP VIEW)  
(TOLERANCE  $\pm 0.05$ )



- NOTES:
1. FREQUENCY RANGE:  
DC TO 6GHZ (VSWR: 1.3MAX AT 0.1~3GHZ, 1.4MAX AT 3~6GHZ)
  2. CHARACTERISTIC IMPEDANCE: 50Ω (NOMINAL);
  3. TEMPERATURE: -40° C TO +90° C;
  4. RATED VOLTAGE : 60VAC;
  5. CONTACT RESISTANCE :  
20mΩ MAX. (SIGNAL CONTACT)  
20mΩ MAX. (GROUND CONTACT)
  6. WITHSTAND VOLTAGE : 200VAC F0, 1 MINUTE MIN;
  7. INSULATION RESISTANCE : 500MΩ MIN. AT 100VDC;
  8. THIS COMPONENT IS HALOGEN FREE.

3	SHELL	1	COPPER ALLOY	Ni: 50u"-100u" / Gold Flash.
2	CONTACT	1	COPPER ALLOY	Ni: 50u"-100u" / Gold Flash.
1	HOUSING	1	LCF(BLACK)	UL94V-0
ITFM	DESCRIPTION	Q'TY	MATERIAL	FINISH
深圳市金航标电子有限公司			WWW.BDS666.COM	REMARK

KH-IPeX4-2020		0755-83044319		DWG NO.: 113-0000-007	
.X± 0.25	.X± 5'	APPD: Max 11/2'12	PART(规格)		
.XX± 0.25	.XX± 3'	CHKD: Max 11/2'12	UNITS SCALE SHEET REV.		
.XXX±	.XXX± 1'	DR: Andy 11/2'12	mm	1:1	1/1 A