

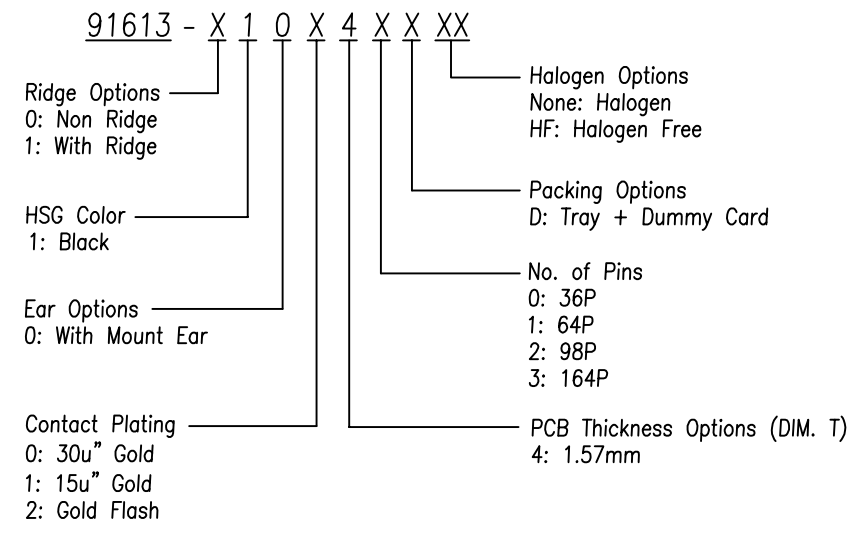
NOTES:

- MATERIAL:
 - HOUSING: THERMOPLASTIC, HIGH TEMP, UL94V-0, COLOR: BLACK.
 - CONTACTS: COPPER ALLOY.
- FINISH:

CONTACT:

 - SELECTIVE GOLD PLATING ON THE CONTACT AREA.
 - 100μ" MIN. MATTE-TIN PLATING ON THE SOLDERTAILS,
 - 50μ" MIN. NICKEL UNDERPLATING OVERALL.

PART NO.



DIMENSIONS					
POSITION	A ±0.20	B ^{+0.20} _{-0.08}	C ±0.20	D ±0.25	E ±0.25
36	6	7.65	12.3	25	7.5
64	20	21.65	26.3	39	21.5
98	37	38.65	43.3	56	38.5
164	70	71.65	76.3	89	71.5

				TOLERANCE	
				LINEAR	ANGLES
				X.±0.40	X'±
				.X±0.30	.X'±
0	---	Lucy	Jan,03,2020	.XX±0.20	.XX'±
REV	ECN NO.	NAME	DATE	.XXX±0.10	.XXX'±

UMax conn 东莞市友贸实业有限公司
 DONGGUAN UMAXCONN ENTERPRISE LIMITED

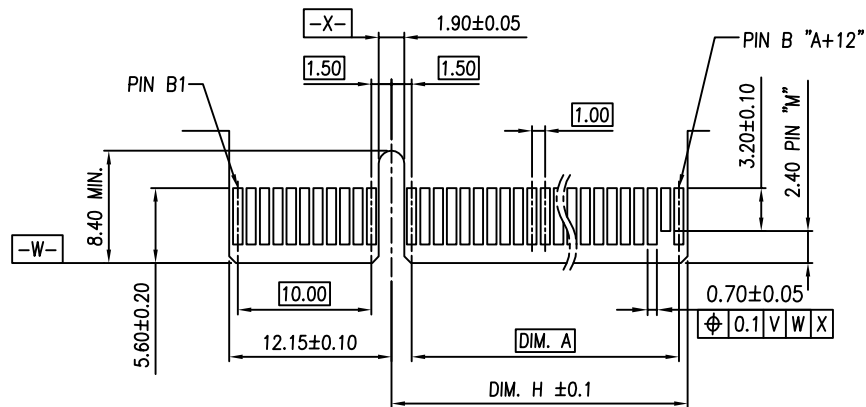
APPD: Jason MAT'L:
 CHKD: Schumi FINISH:
 DRWN: Lucy Q'TY:

TITLE: PCI EXPRESS 4.0 STRADDLE MOUNT TYPE

PART NO. 91613-X10XXXXXX

DWG NO. C-91613

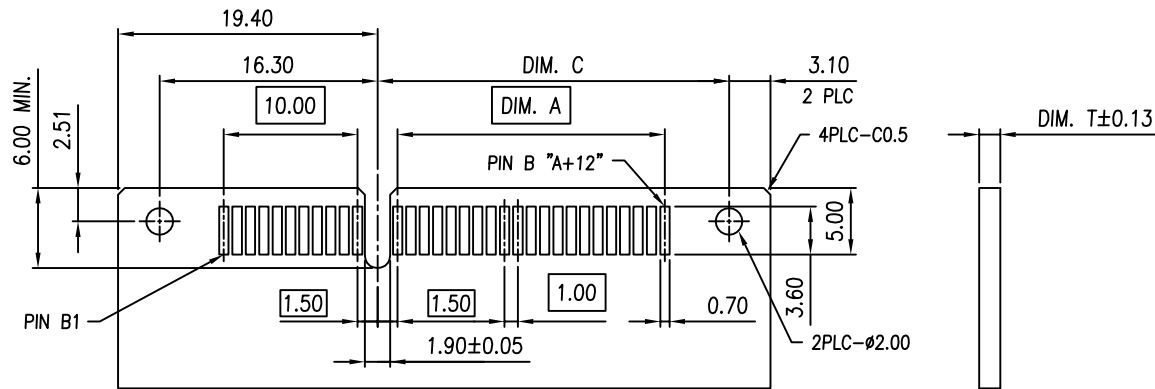
UNITS	MM	SCALE	1 : 1	SHEET	1 OF 3	REV	0
	CUSTOMER						



I/O PANEL DIRECTION
PRIMARY (COMPONENT) SIDE

NOTES:
CHAMFER EDGE MUST BE FREE OF CUTTING BURRS

SECONDARY (SOLDER) SIDE



RECOMMENDED PCB LAYOUT

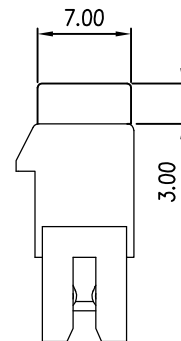
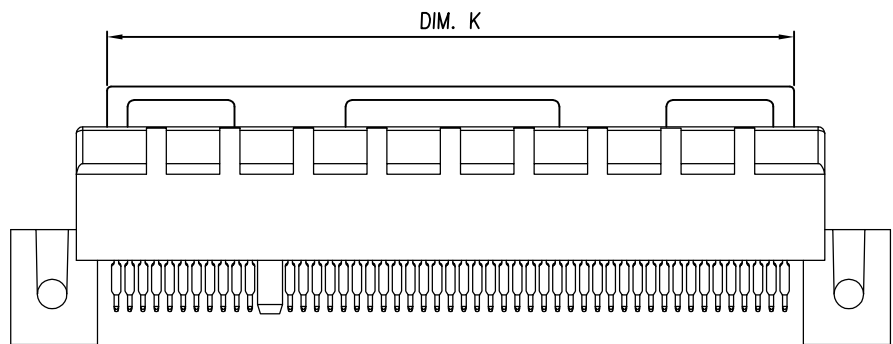
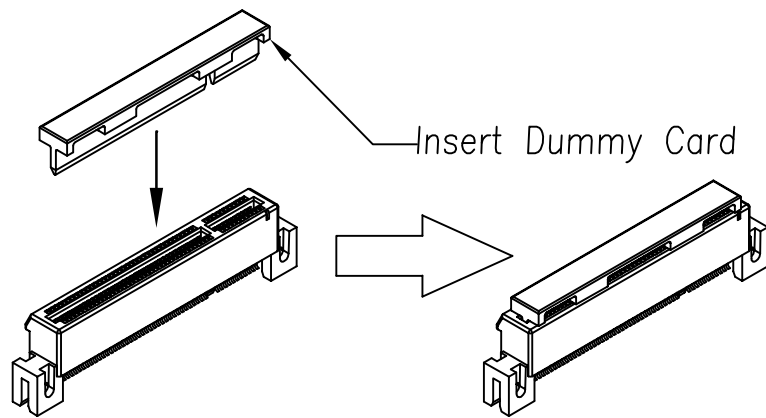
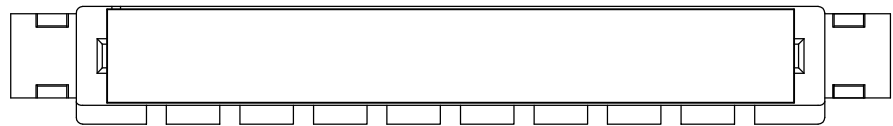
TOLERANCE: ±0.05

POS.	DIM. A	DIM. C	DIM. H	"M"
36	6	12.3	8.15	B17
64	20	26.3	22.15	B31
98	37	43.3	39.15	B48
164	70	76.3	72.15	B81

TOLERANCE		UMax conn 东莞市友贸实业有限公司 DONGGUAN UMAXCONN ENTERPRISE LIMITED	TITLE: PCI EXPRESS 4.0 STRADDLE MOUNT TYPE	
LINEAR	ANGLES		PART NO.	91613-X10XXXXXX
X.±	X'.±	APPD: Jason	MAT'L:	DWG NO. C-91613
.X±	.X'±	CHKD: Schumi	FINISH:	UNITS MM
.XX±	.XX'±	DRWN: Lucy	Q'TY:	SCALE 1 : 1
.XXX±	.XXX'±			SHEET 2 OF 3

REV	ECN NO.	NAME	DATE
	See Sheet 1		

UNITS	SCALE	SHEET	REV
MM	1 : 1	2 OF 3	0



DIMENSIONS	
POSITION	DIM. K
36	20.4
64	34.4
98	51.4
164	84.4

TOLERANCE		Umax conn 东莞市友贸实业有限公司 DONGGUAN UMAXCONN ENTERPRISE LIMITED	TITLE: PCI EXPRESS 4.0 STRADDLE MOUNT TYPE									
LINEAR	ANGLES		PART NO.	91613-X10XXXXXX								
X.±	X'±	APPD: Jason	MAT'L:	DWG NO. C-91613								
.XX±	.XX'±	CHKD: Schumi	FINISH:	<table border="1"> <tr> <td>UNITS</td> <td>SCALE</td> <td>SHEET</td> <td>REV</td> </tr> <tr> <td>MM</td> <td>1 : 1</td> <td>3 OF 3</td> <td>0</td> </tr> </table>	UNITS	SCALE	SHEET	REV	MM	1 : 1	3 OF 3	0
UNITS	SCALE	SHEET	REV									
MM	1 : 1	3 OF 3	0									
.XXX±	.XXX'±	DRWN: Lucy	Q'TY:									

REV	ECN NO.	NAME	DATE
	See Sheet 1		