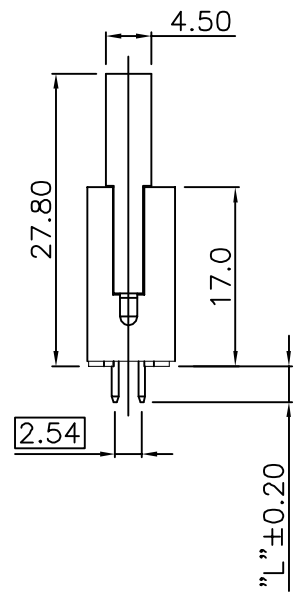
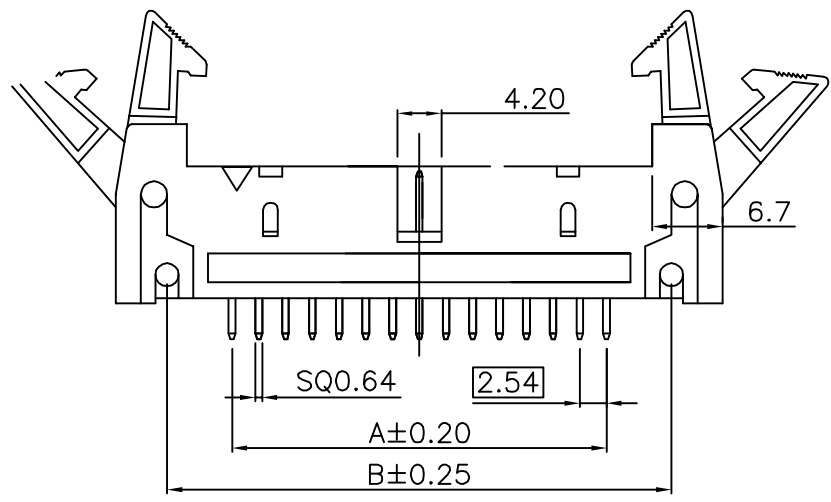


|      |       |                   |            |
|------|-------|-------------------|------------|
| SIGN | DATE  | DESCRIPTION       | APPROVER   |
| △    | 08.09 | NEW PRODUCT ISSUE | nierzhenqi |
| △    |       |                   |            |
| △    |       |                   |            |



- NOTES:
- MATERIALS:
    - INSULATOR: PBT+30%GF UL94V-0, BLACK.
    - CONTACT: Copper ALLOY.
    - PLATED: CONTACT GOLD PLATED OVER Ni.
  - ELECTRICAL CHARACTERISTICS:
    - CURRENT RATING: 3 Amp.
    - CONTACT RESISTANCE: 20 mOhms Max.
    - WITHSTANDING VOLTAGE: 500V AC Min.
    - INSULATION RESISTANCE: 1000 MOhms Min.
    - Operation Temperature: -40° C~+105° C.

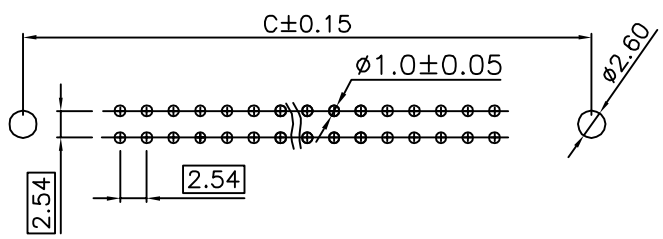
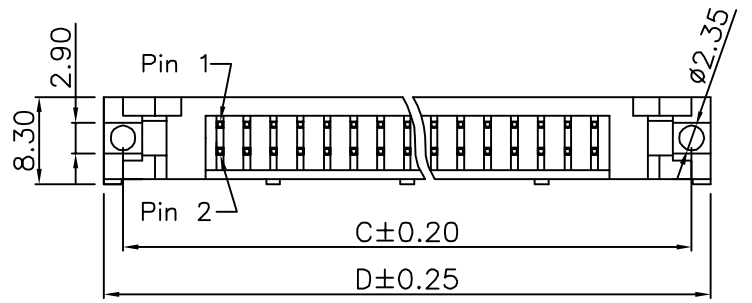
Part NO.

230-0\*0-\*\*\*-20\*

Solder length  
Dim "L"  
1:3.4  
3:4.0  
4:2.9  
7:4.5  
Housing Color  
0:Black  
6:Blue  
8:Grey

Plated  
2:G/F  
3:Au 10u"  
4:Au 15u"  
5:Au 30u"  
9:Au 3u"  
A:Au 5u"  
NO. Of Positions  
6~64

| PIN | A±0.20 | B±0.25 | C±0.20 | D±0.25 |
|-----|--------|--------|--------|--------|
| 6   | 5.08   | 16.76  | 22.86  | 26.92  |
| 8   | 7.62   | 19.30  | 25.40  | 29.46  |
| 10  | 10.16  | 21.84  | 27.94  | 32.00  |
| 14  | 15.24  | 26.92  | 33.02  | 37.08  |
| 16  | 17.78  | 29.46  | 35.56  | 39.62  |
| 18  | 20.32  | 32.00  | 38.10  | 42.16  |
| 20  | 22.86  | 34.54  | 40.64  | 44.70  |
| 24  | 27.94  | 39.62  | 45.72  | 49.78  |
| 26  | 30.48  | 42.16  | 48.26  | 52.32  |
| 30  | 35.56  | 47.24  | 53.34  | 57.40  |
| 34  | 40.64  | 52.32  | 58.42  | 62.48  |
| 40  | 48.26  | 59.94  | 66.04  | 70.10  |
| 50  | 60.96  | 72.64  | 78.74  | 82.80  |
| 60  | 73.66  | 85.35  | 91.44  | 95.50  |
| 64  | 78.74  | 90.42  | 96.52  | 100.58 |



PCB LAYOUT

**nexttron** 正凌精密工业股份有限公司  
NEXTRONICS ENGINEERING CORP

|   |            |             |            |  |            |
|---|------------|-------------|------------|--|------------|
| PART. NAME: xxPIN 2.54mm EJECTOR HEADER CONNECTOR |            |             |            | TITLE: 2.54mm EJECTOR HEADER STRAIGHT Type |            |
| PART. NO.: SEE TABLE                              |            |             |            | DWG NAME: 230-010-834-209                  |            |
| APPROVED BY                                       | CHECKED BY | DESIGNED BY | DRAWN BY   | CUSTOM NO.:                                | Tolerance  |
| jeff  | jeff       |             | nierzhenqi |  | x. ±0.50   |
|   |            |             |            | UNITS: mm                                  | x.x ±0.20  |
|   |            |             |            | SCALE:                                     | x.xx ±0.10 |
|   |            |             |            | REVISION:                                  | xx' ±1"    |